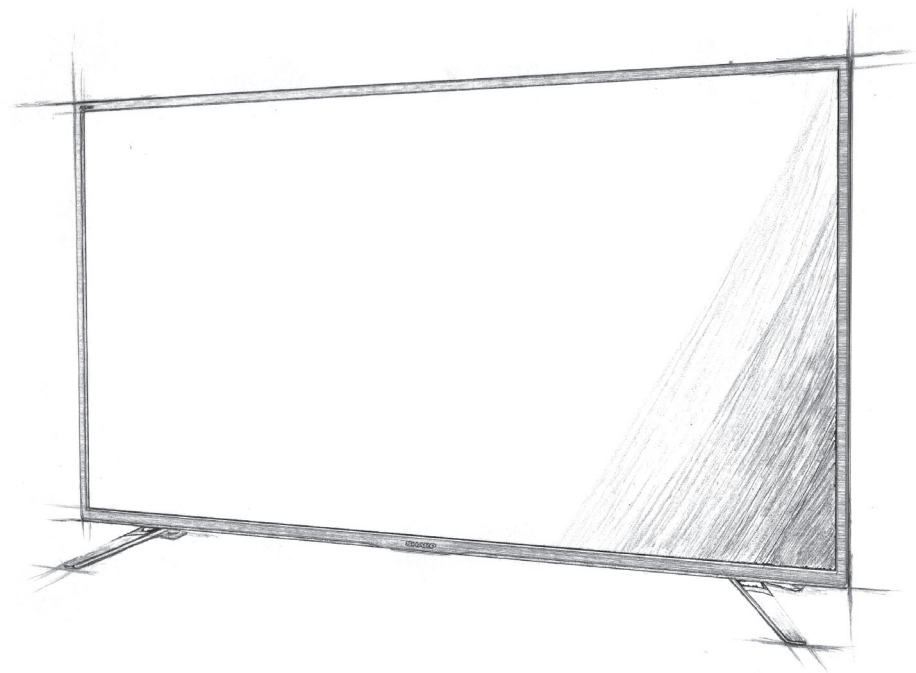


# SHARP



## User manual

LC-50UI7222E

LC-50UI7322E

LC-50UI7422E

EN

DE

FR

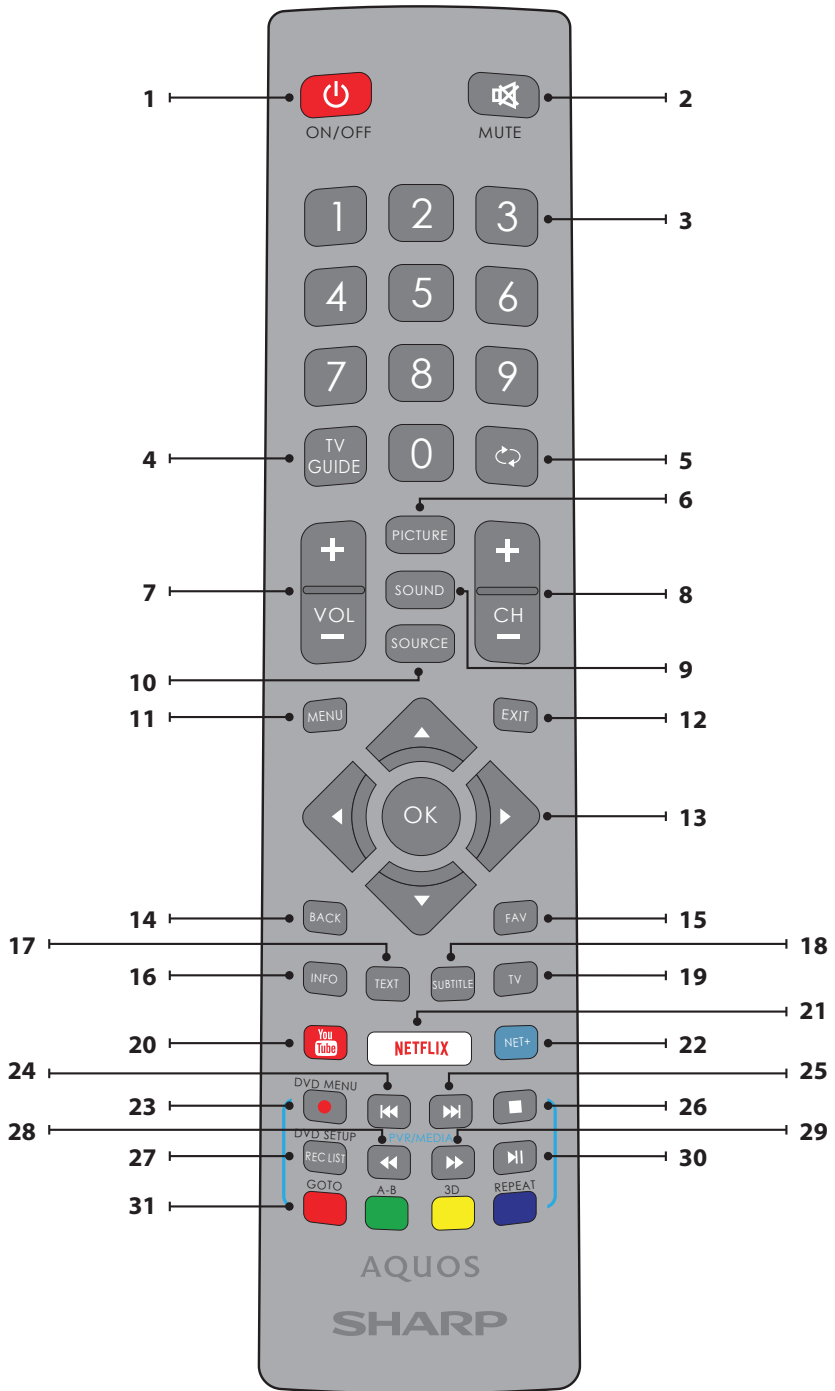
IT

ES

PT

PL

NL





## Important safety instructions



**Please, read these safety instructions and respect the following warnings before the appliance is operated:**

**In order to prevent fire always keep candles and other open flames away from this product.**



- Storms are dangerous for all electric appliances. If the mains or aerial wiring is struck by lightning the appliance might get damaged, even if it is turned off. You should disconnect all the cables and connectors of the appliance before a storm.
  - To clean the screen of the appliance use only a damp and soft cloth. Use only clean water, never detergents and in no case use solvents.
  - Position the TV close to the wall to avoid the possibility of it falling when pushed.
  - **WARNING** - Never place a television set in an unstable location. A television set may fall, causing serious personal injury or death. Many injuries, particularly to children, can be avoided by taking simple precautions such as:
    - Use cabinets or stands recommended by the manufacturer of the television set.
    - Only use furniture that can safely support the television set.
    - Ensure the television set is not overhanging the edge of the supporting furniture.
    - Not place the television set on tall furniture (for example, cupboards or bookcases) without anchoring both the furniture and the television set to a suitable support.
    - Not place the television set on cloth or other materials that may be located between the television set and supporting furniture.
  - Educate children about the dangers of climbing on furniture to reach the television set or its controls.
  - Ensure that children do not climb or hang onto the TV.
  - If your existing television set is being retained and relocated, the same considerations as above should be applied.
  - The instructions shown below are a safer way to set up the TV, by fixing it to the wall and will avoid the possibility of it falling forwards and causing injury and damage.
  - For this type of installation you will need a fastening cord
    - A) Using one/both of the top wall-mounting holes and screws (the screws are already supplied in the wall mounting holes) fasten one end of the fastening chord/s to the TV.
    - B) Secure the other end of the fastening chord/s to your wall.
  - The software on your TV and the OSD layout can be changed without notice.
  - **Note:** In case of electrostatic discharge (ESD) the apparatus may show incorrect function. In such case, switch the TV off and back on. The TV will work normally.
- Warning:**
- Do not use TV set directly after unpacking. Wait until TV warms up to the room temperature before using it.
  - Never connect any external devices to a live appliance. Switch off not only the TV but also the devices which are being connected! Plug the TV plug into the wall socket after connecting any external devices and the aerial!
  - Always make sure there is free access to the TV mains plug.
  - The appliance is not designed for a use in a workplace fitted with monitors.
  - The systematic use of headphones at high volume might lead to irreversible hearing damage.
  - Ensure environmental disposal of this appliance and any components including batteries. When in doubt, please, contact your local authority for details of recycling.
  - While installing the appliance, do not forget that furniture surfaces are treated with various varnishes, plastics, etc. or they might be polished. The chemicals contained in these products might have a reaction with the TV stand. This could result in bits of the material sticking to the furniture surface, which are difficult to remove, if not impossible.
  - The screen of your TV has been produced under top quality conditions and was checked in detail for faulty pixels several times. Due to the technological properties of the manufacturing process, it is not possible to eliminate the existence of a small number of faulty points on the screen (even with maximum care while in production). These faulty pixels are
- Television sets with 43"size screens or more must be lifted and carried by at least two people.
  - This TV does not contain any parts which could be repaired by the user. In case of a fault, contact the manufacturer or the authorised service agent. Contact with certain parts inside the TV might endanger your life. The guarantee does not extend to faults caused by repairs carried out by unauthorized third parties.
  - Do not remove the rear part of the appliance.
  - This appliance is designed for the receiving and reproduction of video and sound signals. Any other use is strictly forbidden.
  - To disconnect the TV from mains please unplug the mains plug from the mains socket.
  - If the supply cord is damaged, it must be replaced by the manufacturer, a service agent or similarly qualified persons in order to avoid a hazard.
  - The ideal distance to watch TV is approximately five times longer than the diagonal of the screen. Reflections on the screen from other light sources can make the quality of the picture worse.
  - Ensure the TV has sufficient ventilation and is not close to other appliances and other pieces of furniture.
  - Ensure a minimum distance of 5 cm around the apparatus for sufficient ventilation.
  - Ensure that the ventilation openings are clear of items such as newspapers, table-cloths, curtains, etc.
  - The TV set is designed to be used in a moderate climate.
  - Do not expose the TV to dripping or splashing liquid.
  - The TV set is designed exclusively for operation in a dry place. When using the TV outside, please, make sure it is protected against moisture (rain, splashing water). Never expose to moisture.
  - Do not place any objects, containers filled with liquids, such as vases, etc. on the TV. These containers might get pushed over, which would endanger electric safety. Place the TV exclusively on flat and stable surfaces. Do not place any objects such as newspaper or blankets, etc. on or under the TV.
  - Make sure the appliance does not stand on any power cables as they might get damaged. Mobile phones and other devices such as WLAN adapters, monitoring cameras with wireless signal transmission, etc. might cause electromagnetic interference and they should not be placed near the appliance.
  - Do not place the appliance near heating elements or in a place with direct sunlight as it has a negative effect on cooling of the appliance. Heat storage is dangerous and it can seriously reduce the lifetime of the appliance. In order to ensure the safety, ask a qualified person to remove the dirt from the appliance.
  - Try to prevent damage to the mains cable or mains adapter. The appliance can only be connected with the supplied mains cable/ adapter.

not considered faults in terms of guarantee conditions, if their extent is not greater than the boundaries defined by DIN norm.

- The manufacturer cannot be held responsible, or be liable, for customer service-related issues related to the third party content or services. Any questions, comments or service-related inquiries relating to the third party content or service should be made directly to the applicable content or service provider.
- There are a variety of reasons you may be unable to access content or services from the device unrelated to the device itself, including, but not limited to, power failure, the Internet connection, or failure to configure your device correctly. Universal Media Corporation, its directors, officers, employees, agents, contractors and affiliates shall not be liable to you or any third party with respect to such failures or maintenance outages, regardless of cause or whether or not it could have been avoided.
- All third party content or services accessible via this device is provided to you on an "as-is" and "as available" basis and Universal Media Corporation and its affiliates make no warranty or representation of any kind to you, either express or implied, including, without limitation, any warranties of merchantability, non-infringement, fitness for a particular purpose or any warranties of suitability, availability, accuracy, completeness, security, title, usefulness, lack of negligence or error-free or uninterrupted operation or use of the content or services provided to you or that the content or services will meet your requirements or expectations.
- 'Universal Media Corporation' is not an agent of and assumes no responsibility for the acts or omissions of third party content or service providers, nor any aspect of the content or service related to such third party providers.
- In no event will 'Universal Media Corporation' and/or its affiliates be liable to you or any third party for any direct, indirect, special, incidental, punitive, consequential or other damages, whether the theory of liability is based on contract, tort, negligence, breach of warranty, strict liability or otherwise and whether or not Universal Media Corporation and/or its affiliates have been advised of the possibility of such damages.

### Important information regarding use of video games, computers, captions and other fixed image displays.

- The extended use of fixed image program material can cause a permanent "shadow image" on the LCD screen (this is sometimes incorrectly referred to as "burnout to the screen"). This shadow image is then permanently visible on the screen in the background. It is irreversible damage. You can avoid such a damage by following instructions below:
- Reduce the brightness/contrast setting to a minimum viewing level.
- Do not display the fixed image for a long period of time. Avoid displaying of:
  - » Teletext time and charts,
  - » TV/DVD menu, e.g. DVD contents,
  - » In the „Pause“ mode (hold): Do not use this mode for a long time, e.g. while watching a DVD or a video.
  - » Turn off the appliance if you are not using it.

### Batteries

- Observe the correct polarity when inserting the batteries.
- Do not expose batteries to high temperatures and do not place them on locations where the temperature might increase quickly, e.g. near the fire or on the direct sunshine.
- Do not expose batteries to excessive radiant heat, do not throw them into the fire, do not disassemble them and do not try to recharge un-rechargeable batteries. They could leak or explode.
  - » Never use different batteries together or mix new and old ones.
  - » Dispose of batteries in an environmentally friendly way.
  - » Most of the EU countries regulate the disposal of batteries by law.



### Disposal

- Do not dispose of this TV as unsorted municipal waste. Return it to a designated collection point for the recycling of WEEE. By doing so, you will help to conserve resources and protect the environment. Contact your retailer or local authorities for more information.



### CE Statement:

- Hereby, UMC Poland Sp. z o.o. declares that this LED TV is in compliance with the essential requirements and other relevant provisions of RED Directive 2014/53/EU. The full text of the EU declaration of conformity is available by following the link: <https://www.sharpconsumer.eu/documents-of-conformity/>  
This equipment may be operated in all EU countries.  
The 5 GHz WLAN (Wi-Fi) function of this equipment may only be operated indoors.  
Wi-Fi max transmitter power: 100mW at 2,412 GHz – 2,472 GHz; 5,150 GHz – 5,350 GHz; 5,470 GHz – 5,725 GHz

### Trademarks

- The terms HDMI and HDMI High-Definition Multimedia Interface, and the HDMI Logo are trademarks or registered trademarks of HDMI Licensing, LLC in the United States and other countries.
- The "DIGITALEUROPE UHD Display" logo is a trademark of DIGITALEUROPE.
- The DVB logo is the registered trademark of the Digital Video Broadcasting - DVB - project.
- Manufactured under license from Dolby Laboratories. Dolby, Dolby Audio and the double-D symbol are trademarks of Dolby Laboratories.
- For DTS patents, see <http://patents.dts.com>. Manufactured under license from DTS Licensing Limited. DTS, the Symbol, & DTS and the Symbol together are registered trademarks. DTS Studio Sound is a trademark of DTS, Inc. © DTS, Inc. All Rights Reserved.
- YouTube and the YouTube logo are trademarks of Google Inc
- The Wi-Fi CERTIFIED Logo is a certification mark of the Wi-Fi Alliance.
- Wi-Fi CERTIFIED Miracast and Miracast are trademarks of Wi-Fi Alliance
- DLNA, the DLNA Logo and DLNA CERTIFIED are trademarks, service marks, or certification marks of the Digital Living Network Alliance.
- Harman Kardon is trademark of HARMAN International Industries, Incorporated, registered in the United States and/or other countries.

## What is included in the box

### Supply of this TV includes following parts:

- |  |                                   |
|--|-----------------------------------|
| • 1x TV  | • 1x TV stand installation packet |
| • 1x Remote control  | • 1x User guide                   |
| • 2x AAA batteries   |                                   |
| • 1x Wall mount set (4x M6x35 screw and 4x plastic spacer) |                                   |

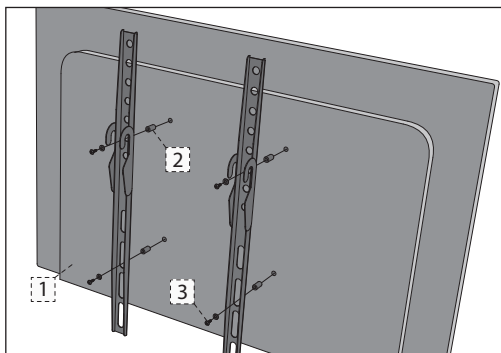
## Attaching the Stand

Please follow the instructions on last page of this user manual.

## Wall mounting the TV

1. Remove the four screws that are supplied in the wall mounting holes.
2. The wall mount can now be easily attached to the mounting holes on the rear of the TV.
3. Install the wall mounting bracket to the television as advised by the bracket manufacturer.

When attaching wall mount brackets on 50" model, instead of screws provided in TV wall mounting holes, we recommend the use of longer screws and spacers included in the accessory pack. Please put spacers into TV wall mounting holes, located on the back of the TV, then put wall brackets onto them. Attach brackets and spacers to TV using longer screws as shown below:



1. TV
2. SPACER
3. SCREW

**NOTE:** TV and the wall bracket type shown in the diagram is for illustration purposes only.

## Getting started - initial set up

1. Using the RF cable, connect the TV to the TV Aerial wall socket.
2. For connecting to the Internet with a wired connection connect a Cat 5/Ethernet cable (not included) from the TV to your broadband modem/router.
3. Connect the power cable to the rear of the TV, and then connect it to the electrical outlet.
4. Insert the batteries supplied into the Remote control.
5. Then press Standby button to power on TV.

6. You will be now welcomed with the **First Time Installation** screen. If it does not appear, on the remote control, please press [MENU] then 8-8-8-8 and the menu will appear. If you wish to make changes to any of the default settings, use the scroll ▲/▼/◀/▶ buttons. To exit this menu at anytime, press [EXIT] button.

### 7. Please set desired settings in First Time Installation screen.

**STEP 1** - Set the TV Menu language.

**STEP 2** - set your country

**STEP 3** - Set type of network connection. If you wish to skip this step and connect TV to network later, please choose Skip Network Setting

**STEP 4** - Select the location of TV. For home use, please select Home. For shop demonstration mode, set Store.

**STEP 5** - choose if your TV has stand, or if it is mounted on the wall. TV will set optimal audio settings for selected option.

**STEP 6** - choose input source which you want to use. If you have connected RF cable directly to TV, choose DTV. If you have satellite directly connected to your TV, choose DVB-S\*. In case you are using set-top-box, please pick correct input to which it is connected.

8. If you selected in last step DTV or DVB-S2, you will be asked if you want to tune channels. If you choose "No", you can tune channels later from SETTINGS/CHANNEL menu. If you choose "Yes", tuning menu will appear.

**Digital TV (DTV) tuning:** In DVB Antenna, please choose which type of signal you have. Terrestrial (DVB-T) or Cable (DVB-C). Then enter Auto tuning and set your desired settings. Again choose Auto tuning to start tuning of channels.

**Satellite (DVB-S2) tuning:** Enter Auto Tuning and enter Satellite. Here you can choose between the various satellites. Select satellite which you wish to tune by pressing OK button on remote control. Then return to previous menu by pressing BACK button on your remote control and choose Auto tuning to start tuning of channels.

**NOTE:** To shorten tuning time of satellite channels, some countries have preinstalled channel list for most popular satellite in that region. If this is the case for your selected country, you will be asked if you wish to load preinstalled channel list. If you choose "Yes", satellite channel list will be imported to your TV within few seconds.

**TIP:** If you are missing channels, the reason for this is likely to be signal strength, you should consider connecting signal booster and re-tuning the TV.

## Remote control

1. **⏻ STANDBY** – Switch on TV when in standby or vice versa.
2. **🔇 MUTE** – Mute the sound or vice versa.
3. **0-9** – to select a TV channel directly.
4. **TV GUIDE** – Opens the 7 Day TV Guide (Digital mode).
5. **↶** – To return to the previous channel viewed.
6. **PICTURE** – Scrolls through picture mode options.
7. **VOL ▲/▼** – To increase / decrease the sound level.
8. **CH ▲/▼** – To increase or decrease the channel being watched.
9. **SOUND** – Scrolls through sound mode options.
10. **SOURCE** – To display the input/source menu.
11. **MENU** – To display OSD menu.
12. **EXIT** – To exit all menus.
13. **(▲/▼/◀/▶/OK)** – Allows you to navigate the on-screen menus and adjust the system settings to your preference.
14. **BACK** – Back to previous menu.
15. **FAV** – To display favourites menu.
16. **INFO** – Press once for now/next channel information. Press twice for programme information about current programme.
17. **TEXT** – Teletext mode - To enter Teletext
18. **SUBTITLE** – To switch the dialogue at the bottom of the screen (on/off).
19. **TV** – Switch to digital TV source.
20. **YouTube** – Displays YouTube application
21. **NETFLIX** – Displays NETFLIX application
22. **NET+** – Displays AQUOS NET+ menu.

23. **Rec<sup>1</sup>** – PVR Record  
 24. **⏮** – To restart the current chapter  
 25. **⏭** – To advance forward to the next chapter  
 26. **■** – To stop the playback  
 27. **Rec List<sup>1</sup>** – Opens the list of recordings.  
 28. **⏮** – To play in fast rewind mode.  
 29. **⏭** – To play in fast forward mode.  
 30. **⏸** – To play/pause  
 31. **COLOUR BUTTONS** – Additional teletext and OSD functions

<sup>1</sup> - available only with PVR function

## TV buttons\*

**Vol+** Volume up and menu right

**Vol-** Volume down and menu left

**CH+** Programme/Channel up and menu up

**CH-** Programme/Channel down and menu down

**MENU** Displays Menu/OSD

**SOURCE** Displays the input source menu

**STANDBY** Standby Power On/Off

\* - for TV with buttons

## TV Control Stick\*

TV control stick is located on the lower left corner of back side of the TV. You can use it instead of remote control to control most of the functions of your TV.

### While TV is in standby mode:

- short press of control stick - Power On

### While watching TV:

- RIGHT/LEFT – volume up/volume down
- UP/DOWN – changes channel up/down
- short press – Displays Menu
- long press – Standby Power Off

### While in menu:

- RIGHT/LEFT/UP/DOWN – navigation of cursor in on-screen menus
- short press – OK/Confirm selected item
- long press – Back to previous menu

\* - for TV with control stick

## Choosing Mode Input/Source

To switch between the different input/connections.

### a) Using the buttons on the remote control:

1. Press [SOURCE/☐] - The source menu will appear.
2. Press [◀] or [▶] to select the input you require.
3. Press [OK].

### b1) Using the buttons\* on the Television:

1. Press [SOURCE].
2. Scroll up/down using VOL+ /VOL- buttons to the input/source you require.
3. Press [SOURCE] to change input/source to the one selected.

### b2) Using the TV control stick\*:

1. Shortly press control stick to enter menu.
2. Press control stick down and navigate cursor to SOURCES menu.
3. Shortly press control stick to enter SOURCES menu.
4. with control stick choose the input/source you require.
5. By short press of control stick, you will change input/source to the one selected.


\* - optional

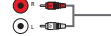
## Connections


Please see the table for connector types for different models available on the page 68.


 **USB**  
USB 2.0 input 1, 2; USB 3.0 input 3

 **HDMI 1, 2 (ARC), 3 in**  
HDMI 2.0-Input 1, 2, 3

 **SD Card reader**  
SD Card Input

 **R/L - Video & YPbPr audio In**  
Component / Video audio input


 **Video (CVBS)**  
VIDEO input

 **Component / YPbPr**  
Component HD Input

 **SCART**  
SCART-Input


 **CI Card IN**  
CI input


 **RF In**  
RF/TV Aerial Input

 **Sat In**  
Satellite Input

 **Digital Optical Audio Out**  
Digital optical output

 **RJ 45**  
Ethernet

 **HEADPHONES**  
3.5mm Headphone output

 **D-link**  
service input only

## TV Menu navigation

To access this menu, press [MENU] button on the remote control. To enter a menu press [OK]. If you wish to make changes to any of the default settings, use the scroll (▲/▼/◀/▶) buttons. To confirm any settings press [OK] button. To exit this menu at anytime, press [EXIT] button.

## Netflix

World's leading Internet television network. It is offering thousands of movies and TV shows, including original series, documentaries and feature films. Members can play, pause and resume watching, all without commercials or commitments. You can log in to this application with your existing Netflix account. If you do not have Netflix account yet, you can register via this app or via official Netflix website.

## YouTube

Videosharing app allows you to discover and watch originally-created videos.

**NOTE:** For Youtube app to work, it is required to have set up correct date

and time in TV. For more information about setting up date/time in TV, please refer to the TIME menu chapter of this user guide. Please ensure that your network is not blocking access to YouTube and the speed of your internet connection is fast enough for viewing YouTube content.

## More Apps

Contains the most commonly used apps for quick and easy access.

**AQUOS NET+** - Opens the Sharp SMART portal.

**Weather** - Weather forecasting app AccuWeather.

**Browser** - Application for accessing websites via the internet. Navigation in the browser:

- **CH+** - scroll page up
- **CH-** - scroll page down
- **Red Button** - show/hide browser menu bar
- **Yellow Button** - Zoom in
- **Blue Button** - Zoom out

## Sources

From this menu, you can switch your TV input signal to different source/connected device.

## Media

**USB** - Multimedia mode offers the playback of various content saved on a USB Memory Stick. The content will be divided into various file types: Photo, Music and Movie.

The 'File Option' will show and allow you to play all types of supported content.

1. You can navigate through the menu using the scroll ▲/▼/◀/▶ buttons. To confirm the item you wish to play/view press [OK] button.
2. While viewing content you can control the playback modes using the remote control buttons or by bringing up the playback navigation menu and selecting on-screen buttons ▲/▼/◀/▶ and [OK]

**NOTE:** USB extension cables are not recommended as they can cause a reduction in picture/audio quality and stoppages during play back of USB content.

**Miracast\*** - Allows you to view content from your smart phone or tablet on the TV screen. Miracast is formed using Wi-Fi Direct, so access to a Wi-Fi network is not needed. You can share content from your smartphone or tablet based on Android 4.4 and newer system.

**Media Server** - Automatically searches for digital media servers (DMS) connected to your home network and enables the playback and rendering of content from media servers

\* **This function is only available on selected smartphones and notebooks.**

## PICTURE

**Picture Mode** - Choose from the following presets.

- **Standard** - Default settings
- **Movie** - Set to be lighter in colour and less bright.
- **Personal** - Lets you manually alter all the settings.
- **Eco** - Consume 15% less energy.
- **Dynamic** - Recommended settings for fast moving pictures.

**Contrast** - Switch the balance between black and white.

**Brightness** - Increase or decrease the brightness of the picture.

**Colour** - Increases the colour from black and white.

**Sharpness** - Increase or decrease the sharpness of the picture.

**Colour Temperature** - Choose from the following presets.

- **Normal** - Default settings.
- **Warm** - Increases red within the picture.
- **Cold** - Increases blue within the picture.

**Aspect Ratio** - Picture format varies depending on the channel/broadcast. There are a number of different options to best meet your needs.

- **Auto** - Automatically displays the best picture format. So the picture is in the correct position. May have black lines at the top/bottom and/or sides.
- **4:3** - Displays the 4:3 picture in its original size. Side bars are shown to fill the 16:9 screen.
- **16:9** - Fills the screen with a regular 16:9 signal.
- **Zoom 1/2** - The picture is the correct proportion but zoomed in to fill the screen.
- **Dot by Dot (HDMI)** - Will display the picture in its original resolution without any change.
- **Full Screen** - Stretch signal to fill the screen.

**Expert Settings**

- **Noise Reduction** - Filters and reduces the noise (interference) of the picture.
- **Active Contrast** - Automatically optimises the 'backlight' and 'contrast' of the picture according to the brightness of the screen.
- **Backlight** - Adjust the screen's brightness by increasing/decreasing the panel's backlighting.
- **Gamma** - Adjust the tones between the bright and dark parts of the picture.
- **Red** - Adjust red tone of the picture
- **Green** - Adjust green tone of the picture
- **Blue** - Adjust blue tone of the picture

## SOUND

**Sound Mode** - Choose from the following presets

- **Standard** - Default settings
- **Music** - Emphasises music over voices
- **Movie** - Provides live and full sound for movies
- **Personal** - Selects your personal sound settings
- **Sports** - Emphasises sound for sports

**Equalizer** - Adjusts the volume of different sound frequencies. The equalizer sound levels can only be adjusted when the sound mode 'Personal' is selected.

**Headphones**

- **HP+TV** - option to play sound from TV speakers and headphones simultaneously.
- **Volume** - adjust volume for headphones.

**Balance** - To switch the sound between the left and right speakers.

**Auto Volume Level (AVL)** - When 'on' is selected, the volume will stay at a constant level regardless of input/source.

**DTS TruSurround** - Allows you to turn surround sound effect ON or OFF.

**Digital Output** - This is the digital Audio output.

Choose from the following options:

- **Off** - Off
- **Auto** - Selects the best settings automatically
- **PCM** - Select this option if you are connecting to a Stereo Hi-fi via digital cable (Pulse-code modulation (PCM) is a digital representation of an analogue signal).

**Audio Description** - Additional sound track for visually impaired. Available only on selected DTV shows.

**AD Volume** - to adjust volume of Audio Description sound track

**AudioTrack** - allows you to choose different audio/language for Digital TV or media.

**Audio Delay (ms)** - Enables the user to adjust sound setting to sync picture and audio for TV speakers.

**SPDIF Delay (ms)** - Enables the user to adjust sound setting to sync picture and audio for external speakers connected via digital audio output.



## SETTINGS

### CHANNEL

**DVB Antenna** - Set the type of DTV signal

- **Terrestrial** - Terrestrial (DVB-T)
- **Cable** - Cable (DVB-C)

**Auto Tuning** - Allows you to retune the television for all digital channels, digital radio stations and analogue channels.

**Analogue Manual Tuning** - Allows you to manually tune your analogue signal.

**Digital Manual Tuning** - Allows you to manually tune your digital signal.

**Channel Edit** - Allows you to delete, skip and add favourite channels.

- **Red Button** - delete selected channel.
- **Yellow Button** - Move selected channel. Go with cursor to channel, which you wish to move to different position, then press YELLOW button. Now move selected channel with UP/DOWN arrow to desired position and press YELLOW button again to confirm its new position in channel list.
- **Blue Button** - Skip selected channel. Channels selected to Skip will not be displayed while pressing CH+ or CH- buttons.

**Signal Information** - Information about DVB signal.

**CI Information** - Pay per view services require a "smartcard" to be inserted into the TV. If you subscribe to a pay per view service the provider will issue you with a 'CAM' and a 'smartcard'. The CAM can then be inserted into the COMMON INTERFACE PORT (CI Card In).

**Sorting by LCN** - Set LCN to ON if you want to arrange channels by provider preferences (only applies to DVB-T and DVB-C channels).

**Channel Auto Update** - if you set this option ON, channel positions, names and frequencies will be periodically updated by the provider. This may cause issues if you ordered channels in the list of channels by yourself. In such case we recommend to keep this option off.

**Recorded list\*** - List of recorded TV shows.

**Schedule List** - Lists your programme reminders.

**Satellite Setup** - This menu is only available in DVB-S2 mode. You can select the type of satellite, your transponder and your LNB type, etc.

**OAD (Software Update)** - Switch on/off OAD (over air download) software updates.

\* - **Only for devices with built in PVR function**

### NETWORK

**Network Configuration** - First you will need to select your connection type. You can choose between either a Wi-Fi or Wire (cable) connection.

**NOTE:** For connecting to the Internet with a wired connection, connect a Cat 5/Ethernet cable (not included) from the TV to your broadband modem/router.

**IP config** - LAN network connection settings

- **Auto** - Will automatically connect the TV to your home network (this is the default setting and is highly recommended)
- **Manual** - Allows you to manually change the IP, Netmask, Gateway and DNS information.

**Wi-Fi Configuration** - Wireless network connection settings

- **Wi-Fi Auto Search** - Automatically searches for available wireless networks. Select the desired Wi-Fi network and then enter the network password (if network is password protected). Once the password is accepted, you will not be asked for it again.

**NOTE:** The connection process may take a few minutes, please be patient. Every time the TV is then powered on it will automatically connect to the network, this may also take some time.

**Network Info** - Information about the network settings

**Network Test** - A network connection test

### TIME

**Auto Sync** - Automatically sets the time and date on the TV set. Requires the TV to be tuned in with a digital signal and/or an internet connection. Turn "Auto Sync" off to manually adjust the time and date settings. If

"Auto Sync" is set to off with the time and date manually adjusted, this information will be reset when the power to the TV is disconnected.

**Clock** - Shows the date and time. Can be adjusted when "Auto Sync" is set to off.

**Off Time** - Allows you to set a specific time for your TV to turn off.

**On Time** - Allows you to set a specific time for your TV to turn on, the channel it will then display, the source it will be on and also the volume. This function can then be toggled to repeat every day or a certain day.

**Sleep Timer** - Lets you set the sleep timer so the television automatically switches off after a set amount of time. Off -> 10min -> 20min -> 30min -> 60min -> 90min -> 120min -> 180min -> 240min.

**OSD Timer** - Lets you adjust the amount of time the On

Screen Menu stays on the screen before disappearing.

**Auto standby** - Adjustment for the auto standby in hourly increments: Off -> 3h -> 4h -> 5h.

**Time Zone** - Change your current time zone.

### LOCK

**System Lock** - Allows you to lock or unlock the menu. You will be asked to enter a 4 digit password. Use the ◀ button to quit the password input. Use the ▶ button to clear. Default password is 0000.

**Set Password** - Change the default password.

**Channel lock** - Lock specific TV channels.

**Parental Guidance** - Lock TV channels based on age restriction.

**Key lock** - Allows you to lock the TV control stick on the back side of the TV set.

**Source Lock** - Allows you to hide selected inputs from the source menu.

**Hotel Mode** - Advanced settings for hotels.

### SETUP

**Language** - Allows you to change the language of the menu.

**Audio Languages** - Allows you to change audio language on selected DVB channels.

**Subtitle Language** - Allows you to change subtitles language on selected DVB channels.

**Hearing Impaired** - If signal provides support for the hearing impaired, the subtitles can be played by pressing the "Subtitle". If you set Hearing Impaired ON and switch to a channel with supports for hearing impaired subtitles will be activated automatically.

**Blue Screen** - Changes the background when there is no input between transparent and a blue background (Only available on some sources).

**PVR File System** - PVR Recording options\*

- **Select disk** - Select USB port and disk partition
- **TimeShift Size** - Set size time of shift buffer.
- **Format** - You can format connected USB storage device to FAT 32 file system.
- **WARNING: ALL DATA ON THE USB DEVICE WILL BE DELETED**
- **Speed** - Tests write speed of connected USB storage devices.

\* - **only for devices with built in PVR function**

**First Time Installation** - Starts the first time installation.

**Software Update (USB)** - From time to time we may release new firmware to improve the operation of the television (available to download). This menu lets you install the new software/firmware onto the television. Further details of how to do this will be issued with the firmware. Contact the helpline or refer to the 'www.sharp.eu/av' website.

**Software Upgrade (NET)** - Allows for the TV software to be updated over the Internet. This function will search for new software and update it when necessary.

**NOTE:** The TV will automatically search for new releases of software every time it is turned on. If new software is found, it will ask you if you would like to download and install it. If you select "Yes" the TV will upgrade to the latest software.

**WARNING:** Do not turn off the TV's power until the upgrade is complete!

**Reset TV** - This resets the menus to factory settings.

**HDMI CEC\*** - Allows you to operate devices connected via HDMI with TV remote control.

- **Device list\*** - Allows you to access devices menu and

- operate the menu using TV remote control.
  - **HDMI CEC** - enable/disable HDMI CEC function
  - **Auto standby\*** - Automatically turn on/off connected devices via HDMI CEC
  - **HDMI ARC\*** - Sends audio signal from terrestrial/satellite broadcast via HDMI to the AV receiver without using any additional audio cables, this functions is available only on HDMI 2 output.
- \* - **HDMI CEC must be supported by connected device.**

**HDMI EDID** - transmits the TV set's capabilities (resolution, audio support etc.) directly to the devices connected via HDMI. This item allows you to switch modes of selected HDMI input between HDMI and HDMI2.0 mode.

- **Standard** - recommended if the TV is connected to a device with a HDMI 1.4 output or lower, for example Full HD Blu-Ray player, DVD player or gaming console.
- **Enhancement** - recommended if the TV is connected to a device with a HDMI 2.0 output, for example 4K Blu-ray player or modern PC.

**LED Status** - Allows the user to switch the LED Power indicator light ON or OFF, when the TV is being operated. (When this option is set to OFF the LED Power indicator light will flash when the remote control is used).

**HbbTV** - Allows the user to switch HbbTV on/off. To use HbbTV, TV must be connected to the internet and watched channel must support HbbTV service.

**Version Info** - shows version of TV software

**Source Edit** - this allows user to manually rename items in your list of input sources. For example, you can rename inputs to the names of connected devices.

## AQUOS NET+

To access the AQUOS NET+ Menu at any time press the NET+ button on the remote control or select it from More Apps menu.

**NOTE:** Please wait while the TV connects to the Wi-Fi network.

It may take a few minutes after you switch on the TV.

Navigate the menu using the scroll ▲/▼/◀/▶ buttons. To confirm the item you wish to play/view press [OK] button. For 'one-step' back press [Menu] button, and to access additional functions use the coloured buttons. To leave AQUOS NET+ press [EXIT] button.

**Home** - Home screen with recommended movies and recently opened applications

**All Apps** - Opens a list of available applications

**Movies** - Opens a list of available movies

**TV Shows** - Opens a list of available TV shows

**Music** - Opens a list of available Music and Music videos

**Games** - List of games and gaming related apps.

**Sport** - List of sport related apps.

**News** - List of news apps.

**Search** - search for app by entering its name or part of the name.

**My apps** - By adding apps to the "My Apps" list, you will be able to quickly access your favourite apps. To add an app to the list, simply highlight any app and press the green button, this will now appear in your "My apps" list. To remove an unwanted app from the "My Apps" list, you must highlight the app you want to delete and press GREEN button.

**Settings** - In the settings menu you can change the language of the Aquos NET+ portal, set up a filter for applications specific to the language selected and reset all user settings back to the default settings.

**RESET OF USER SETTINGS:** If you wish to completely reset all user settings on AQUOS NET+, you must first enter the Settings menu of the portal and select "Reset your device". Please select YES with cursor and then press OK on the remote control to confirm the reset of the settings.

**NOTE:** To meet our customers' demands, we are improving our products. As a result of our ongoing efforts new applications will be added continuously to the AQUOS NET+. Applications and content in AQUOS NET+ can be changed without notice. Some of the functions and content may not be available in your country.

## 7 Day TV Guide

TV Guide is available in Digital TV mode. It provides information about forthcoming programmes (where supported by the Digital channel). You can view the start and end time of all programmes and on all channels for the next 7 days and set reminders.

1. Press [TV GUIDE]. The following 7 Day TV Guide will appear.

2. Navigate through the menu using ▲/▼/◀/▶.

**You can now:**

Record selected TV channel and TV show by pressing the RED button.\*

Set a reminder by pressing GREEN.

View a previous day by pressing YELLOW.

View the next day by pressing BLUE. [INFO] shows detailed information about the selected post

3. Press [EXIT] to exit the 7 day TV Guide.

\* - **only for models with recording function**

## USB Record - Digital mode\*

Built into this television is a USB record facility. This function is available in Digital mode when used in conjunction with a compatible USB memory stick or USB Hard drive. The benefits of this are as follows:

- Pause live TV and then playback, fast forward and rewind (up to live TV).
- One button record, if you decide you want to record the current programme.

• Easy programmable recording from the 7 day TV Guide

Due to the nature of the product, it is necessary to use a high speed USB memory stick (as the TV reads from and writes to the memory stick at the same time, some memory sticks may not be suitable).

Minimum Specification - USB Memory Stick

– **Read Speed** - 20 Mb/s (Megabit Per Second)

– **Write Speed** - 6 Mb/s (Megabit Per Second)

## Pause Live TV (Time Shift)\*

Pausing Live TV is very simple.

- Press the play/pause button and the television will pause and the live content will be recorded. To resume watching press play/pause again.
- Press fast forward to go forward in a recording (i.e. to skip adverts).
- Press fast rewind to go back in a recording (i.e. if you fast forwarded too far).

**TIP:** When you switch the TV to standby or change channel the Time Shift memory is wiped. To restart time shift you must press play/pause button.

## One Button Record

At any point in time you may decide to record the current channel that you are watching. To do this you need to press the [REC] button.

**TIP:** This television contains one TV tuner, therefore it can

only record the channel you are watching or record one channel while the television is in standby mode.

**NOTE:** USB record function is only available in Digital TV mode.

Due to copyright laws and illegal copying/recording it is not possible to record to/from any other input/output source.

\* - **only for devices with built in PVR function**

## HDR (High Dynamic Range)

HDR video removes some of the limitations of a standard video signal and shows the image built from a wider gamut of colour and brightness.

**NOTES:**

- HDR function will activate automatically if an HDR signal is detected, provided that HDMI EDID has been set to "Enhancement" in the 'SETUP' menu.

- This television can display HDR content via the HDMI or USB inputs.
- If you are connecting via one of the HDMI ports, the external device must also support HDR, HDMI2.0 and be playing HDR mastered content.
- This device does not support HDR content from inbuilt apps such as Netflix or YouTube.

## Product fiche

Trademark	
Model	LC-50UI7222E LC-50UI7322E LC-50UI7422E
Energy efficiency class	A+
Visible screen size (diagonal)	50" / 127cm
On-mode power consumption	70,0 W
Annual energy consumption*	102 kWh
Standby power consumption**	<0,50 W
Off mode power consumption	N/A
Screen resolution	3840 (H) x 2160 (V)

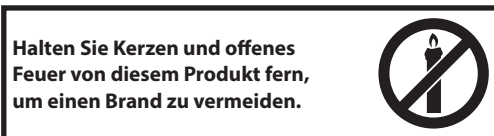
\* - Energy consumption XYZ kWh per year, based on the power consumption of the television operating 4 hours per day for 365 days. The actual energy consumption will depend on how the television is used.

\*\* - when the TV is turned off with the remote control and no function is active

## Wichtige Sicherheitsanweisungen



**Bitte lesen Sie sich diese Sicherheitsanweisungen durch und beachten Sie, bevor Sie das Gerät in Betrieb nehmen, auf die folgenden Warnhinweise:**



- Fernsehergeräte mit einer Bildschirmgröße von 43 " oder mehr müssen von mindestens zwei Personen angehoben und getragen werden.
  - Dieses Fernsehgerät enthält keine Teile, die vom Benutzer repariert werden könnten. Setzen Sie sich im Fall eines Defekts mit dem Hersteller oder dem autorisierten Kundendienst in Verbindung. Das Berühren bestimmter Teile im Fernsehgerät könnte Ihr Leben gefährden. Die Garantie gilt nicht für Defekte, die durch von nicht autorisierte Dritten durchgeführte Reparaturen entstehen.
  - Entfernen Sie nicht die rückseitige Abdeckung des Geräts.
  - Diese Gerät wurde für den Empfang und die Wiedergabe von Bild- und Tonsignalen konstruiert. Eine andere Verwendung ist strengstens verboten.
  - Das TV Gerät abstecken bedeutet: den Stecker aus der Steckdose ziehen.
  - Wenn das Stromversorgungskabel beschädigt ist, muss es vom Hersteller, einem Servicetechniker oder ähnlich qualifizierten Person ausgetauscht werden, um Gefährdungen zu vermeiden.
  - Die ideale Entfernung zum Fernsehen ist ungefähr die fünffache Länge der Bildschirmdiagonale. Reflektionen von anderen Lichtquellen auf dem Bildschirm können die Bildqualität verschlechtern.
  - Sorgen Sie dafür, dass das Fernsehgerät ausreichend belüftet wird und sich nicht zu nahe an anderen Geräten oder Möbelstücken befindet.
  - Sorgen Sie für einen Mindestabstand von 5 cm rund um das Gerät, um eine ausreichende Belüftung sicherzustellen.
  - Sorgen Sie dafür, dass die Belüftungsöffnungen nicht durch Gegenstände, z. B. Zeitungen, Tischdecken, Gardinen usw. verdeckt sind.
  - Das Fernsehgerät ist für die Verwendung in einem moderaten Klima konstruiert.
  - Setzen Sie das Fernsehgerät keinen tropfenden oder spritzenden Flüssigkeiten aus.
  - Das Fernsehgerät ist ausschließlich für den Betrieb an einem trockenen Ort konstruiert. Wenn Sie das Fernsehgerät im Freien benutzen, sorgen Sie dafür, dass es vor Feuchtigkeit (Regen, Spritzwasser) gesichert ist. Niemals der Feuchtigkeit aussetzen.
  - Stellen Sie keine mit Wasser gefüllte Behälter, wie Vasen usw. auf das Fernsehgerät. Diese Behälter könnten umgestoßen werden und die elektrische Sicherheit gefährden. Stellen Sie das Fernsehgerät nur auf flachen und stabilen Oberflächen. Legen Sie keine Objekte wie Zeitungen oder Decken usw. auf oder unter das Fernsehgerät.
  - Sorgen Sie dafür, dass das Gerät nicht auf Stromkabeln steht, da diese hierdurch beschädigt werden könnten. Mobiltelefone und andere Geräte, wie WLAN-Adapter, Überwachungskameras mit drahtloser Signalübertragung usw. könnten elektromagnetische Störungen verursachen und sollten daher nicht in der Nähe des Geräts aufgestellt werden.
  - Stellen Sie das Gerät nicht neben Heizkörpern oder an einem Ort mit direkter Sonneneinstrahlung auf, da dies negative Auswirkung auf die Kühlung des Gerätes haben kann. Ein Hitzestau ist gefährlich und die Lebensdauer des Geräts erheblich verkürzen. Um für Sicherheit zu sorgen, bitten Sie eine qualifizierte Person, den Staub aus dem Gerät zu entfernen.
- Vermeiden Sie die Beschädigung an Stromkabeln oder Stromsteckern. Das Gerät darf nur mit dem mitgelieferten Stromkabel/Stecker angeschlossen werden.
  - Gewitter sind für alle elektrischen Geräte gefährlich. Wenn das Strom- oder Antennenkabel vom Blitz getroffen wird, kann das Gerät, auch wenn es ausgeschaltet ist, beschädigt werden. Bei einem heran nahenden Gewitter sollten Sie alle Kabel und Stecker des Gerätes ausstecken.
  - Verwenden Sie zur Reinigung des Bildschirms des Geräts nur ein feuchtes und weiches Tuch. Verwenden Sie nur sauberes Wasser, niemals Reinigungsmittel und in keinem Fall Lösungsmittel.
  - Stellen Sie das Fernsehgerät nah an die Wand, damit die Möglichkeit vermieden wird, dass es beim Drücken der Knöpfe umfällt.
  - WARNUNG** – Stellen Sie den Fernseher niemals an eine unsichere Stelle. Das Gerät könnte fallen und ernsthafte Verletzungen bis hin zum Tod verursachen. Viele Verletzungen, speziell bei Kindern, können durch folgende Vorsichtsmaßnahmen verhindert werden:
    - Benutzen Sie ausschließlich Standfüße und Halterungen, die vom Hersteller für das Gerät empfohlen werden
    - Benutzen Sie nur Möbel, die den TV sicher tragen können
    - Versichern Sie sich, dass das Gerät nicht übersteht
    - Stellen Sie Ihr Gerät nicht auf hohe Möbel (z.B. Schränke oder Bücherregale), ohne das Gerät und die Möbel entsprechend zu sichern
    - Stellen Sie das Gerät nicht auf Kleidung oder andere Materialien (Tischdecken etc.), die auf den Möbeln liegen.
  - Erklären Sie Kindern die Gefahren, die bestehen, wenn sie auf Möbel klettern, um an den TV oder die Fernbedienung zu gelangen.
  - Stellen Sie sicher, das Kindern nicht auf den TV klettern.
  - Wenn Sie Ihr bereits vorhandenes Gerät woanders aufstellen möchten, gelten dieselben Vorsichtsmaßnahmen wie oben.
  - Stellen Sie keine anderen Objekte bzw. mit Flüssigkeiten gefüllte Vasen oder Gläser auf den TV.
  - Die unten genannten Anleitungen sind ein sicherer Weg, das Fernsehgerät aufzustellen, indem man es an der Wand befestigt, was die Möglichkeit, dass es nach vorne fällt und Verletzungen und Schäden verhindert.
  - Für diese Art der Befestigung benötigen Sie eine Befestigungskordel.
    - A) Wenn Sie eines/beide der oberen Wandmontagelöcher und die Schrauben verwenden (die Schrauben befinden sich schon in den Wandmontagelöchern), dann befestigen Sie das eine Ende der Befestigungskordel(n) am Fernsehgerät.
    - B) Sichern Sie das andere Ende der Befestigungskordel(n) an Ihrer Wand.
  - Die Software Ihres Fernsehgeräts und das OSD-Layout können ohne Vorankündigung geändert werden.
  - Hinweis:** Bei elektrostatischen Entladungen (Electrostatic Discharge – ESD) können bei dem Gerät Fehlfunktionen auftreten. In einem solchen Fall schalten Sie den Fernseher aus und wieder ein. Der Fernseher funktioniert wieder ordnungsgemäß.
- ### Warnung:
- Benutzen Sie den Fernseher nicht direkt nach dem Auspacken. Warten Sie, bis sich der Fernseher auf Zimmertemperatur erwärmt hat, ehe sie ihn einschalten.
  - Verbinden Sie niemals externe Geräte mit mit einem laufenden Fernsehapparat. Schalten Sie nicht nur das Fernsehgerät sondern auch die zu verbindenden Geräte aus. Stecken Sie den Fernsehgerätestecker erst in die Wandsteckdose, wenn Sie die externen Geräte und die Antenne verbunden haben.
  - Sie müssen immer dafür Sorge tragen, dass der Fernsehgerätestromstecker frei zugänglich ist.
  - Das Gerät ist nicht dafür gebaut, um an einem mit Monitoren ausgestatteten Arbeitsplatz verwendet werden zu können.
  - Die ständige Verwendung von Kopfhörer mit hoher Lautstärke kann zu dauernden Hörschäden führen.
  - Sorgen Sie für eine umweltverträgliche Entsorgung dieses Geräts und Komponenten, die Batterien enthalten. Wenn Sie Zweifel haben, setzen Sie sich mit Ihrer zuständigen Behörde in Verbindung, um Einzelheiten zum Recycling zu erfahren.
  - Vergessen Sie bei der Aufstellung nicht, dass Möbeloberflächen mit verschiedenen Lacken, Kunststoffen usw. behandelt wurden oder dass sie poliert sein können. Die in diesen Produkten enthaltenen Chemikalien könnten mit dem Ständer des Fernsehgeräts reagieren. Dies könnte dazu

führen, das Stücke des Materials auf der Oberfläche kleben, die nur sehr schwer oder gar nicht zu entfernen sind.

- Der Bildschirm Ihres Fernsehgeräts wurde unter besten Qualitätsbedingungen hergestellt und wurde mehrmals auf beschädigte Pixel geprüft. Wegen der technischen Eigenschaften des Herstellungsprozess ist es nicht möglich, das Auftreten einer geringe Anzahl von schadhafte Punkten auf dem Bildschirm zu vermeiden (dies auch bei höchster Sorgfalt während der Herstellung). Diese schadhafte Pixel gelten nicht als Schaden im Rahmen der Garantiebedingungen, wenn ihr Vorkommen nicht höher als in den Grenzwerten, die in der DIN-Norm vorgegeben sind, ist.
- Der Hersteller kann nicht für für servicebezogene Kundenprobleme in Bezug auf Inhalte oder Dienstleistungen Dritter haftbar gemacht werden. Alle Fragen, Kommentare oder servicebezogene Anfragen zu dem Inhalt oder dem Service Dritter müssen unmittelbar an den für den Inhalt oder Service zuständigen Dienstleister gerichtet werden.
- Es gibt eine Reihe von Gründen, warum Sie mit dem Gerät nicht auf Inhalte oder Services zugreifen können, wie z. B. insbesondere Stromausfall, der Internetverbindung oder Fehler bei der richtigen Konfiguration Ihres Geräts. Universal Media Corporation, sein Vorstand, die leitenden Angestellten, die Mitarbeiter, Vertreter, Auftragnehmer und Partner sind Ihnen und Dritten gegenüber nicht für Fehler oder Versorgungsunterbrechungen ungeachtet der Ursache oder ob sie hätten vermieden werden können, haftbar.
- Jeder Inhalt oder Service von Drittanbietern wird Ihnen über diese Gerät auf einer „wie vorhanden“ und „wie geliefert“ Basis zur Verfügung gestellt und Universal Media Corporation und seine Partnerfirmen geben Ihnen gegenüber keine ausdrückliche oder vermeintliche Garantie oder Zusage, einschließlich, aber nicht erschöpfend keine Garantie für die wirtschaftliche Verwertbarkeit, nicht Verletzung, oder Eignung für einen bestimmten Zweck oder Garantie für die Eignung, Verfügbarkeit, Genauigkeit, Vollständigkeit, Sicherheit, Anspruch, Verwendbarkeit, Fehlen von Fahrlässigkeit oder fehlerfreien, ununterbrochenen Betrieb oder Verwendung des Inhalts oder der Ihnen angebotenen Services oder das der Inhalt oder die Services ihren Wünschen und Erwartungen entsprechen.
- Die 'Universal Media Corporation' ist kein Vertreter und übernimmt keine Verantwortung für die Handlungen und Unterlassung von Inhalt- oder Service-Drittanbietern noch Aspekten des Inhalts oder Service im Hinblick auf solche Drittanbieter.
- Auf keinem Fall ist die 'Universal Media Corporation' und/oder seine Partner Ihnen oder Dritten gegenüber für unmittelbare, mittelbare, besondere, zufällige, strafrechtlich, nachfolgende oder weitere Schäden haftbar, gleichgültig ob sich der Schadenersatzanspruch aus dem Vertrag, unerlaubter Handlung, Fahrlässigkeit, Garantieverletzung, verschuldensunabhängige Haftung oder sonstigen Gründen ergibt und ob die Universal Media Corporation und/oder ihre Partner auf die Möglichkeit solcher Ansprüche hingewiesen wurden.

## Wichtige Informationen zur Verwendung von Videospielen, Computern, Untertiteln und sonstigen Standbildanzeigen.

- Die übermäßige Verwendung von feststehenden Bildern kann ein ein permanentes „Schattenbild“ (das manchmal fälschlicher Weise als „in den Bildschirm eingegraben“ bezeichnet wird) verursachen. Dieses Schattenbild ist im Hintergrund auf dem Bildschirm ständig sichtbar. Dies ist ein nicht mehr behebbare Schaden. Sie können einen solchen Schaden vermeiden, in dem Sie die nachfolgenden Anleitungen befolgen:
- Reduzieren Sie die Helligkeit-/Kontrasteinstellung auf ein Minimum.
- Lassen Sie keine Standbilder für einen längeren Zeitraum anzeigen. Vermeiden Sie die Anzeige von:
  - Teletext Zeit und Grafiken,
  - TV/DVD Menü, z. B. DVD Inhaltsverzeichnis.
  - Den „Pause“ Modus (festhalten): Wenn Sie sich eine DVD oder ein Video ansehen, sollten Sie diesen Modus nicht für längere Zeit verwenden.
  - Schalten Sie das Gerät, wenn Sie es nicht verwenden, aus.

## Batterien

- Beachten Sie beim Einlegen der Batterien auf die richtige Polarität.
- Setzen Sie Batterien keinen hohen Temperaturen aus und legen Sie sie nicht an Stellen ab, wo sich die Temperatur schnell erhöht, z. B. neben ein Feuer oder in die direkte Sonneneinstrahlung.

- Setzen Sie Batterien keiner übermäßigen Strahlungswärme aus, werfen Sie sie nicht ins Feuer oder bauen sie auseinander und versuchen Sie nicht, nicht aufladbare Batterien aufzuladen. Sie könnten undicht werden oder explodieren.
  - Verwenden Sie niemals unterschiedliche Batterien oder vermischen neue mit alten.
  - Entsorgen Sie die Batterien umweltfreundlich.
  - In den meisten EU-Ländern gelten für die Entsorgung von Batterien besondere Gesetze und Vorschriften.



Cd

## Entsorgung

- Entsorgen Sie Ihr Fernsehgerät niemals über den normalen Hausmüll. Geben Sie es bei dem für das Recycling von WEEE vorgesehenen Sammelpunkt ab. Damit helfen Sie, Ressourcen einzusparen und die Umwelt zu schützen. Weitere Informationen erhalten Sie von Ihrem Händler oder den örtlichen Behörden.



## CE-Konformitätserklärung

- Die UMC Poland Sp. z o.o. erklärt hiermit, dass dieses LED Fernsehgerät die wesentlichen Anforderungen und weitere entsprechende Vorschriften der RED Verordnung 2014/53/EU einhält. Der vollständige Text der EU-Konformitätserklärung ist unter folgender Internetadresse erhältlich: <https://www.sharpconsumer.eu/documents-of-conformity/> Dieses Gerät kann in allen Ländern in der EU verwendet werden. Die 5 GHz WLAN(Wi-Fi)-Funktion dieses Gerätes darf nur im Innenbereich genutzt werden. Wi-Fi maximale Sendeleistung: 100mW at 2,412 GHz – 2,472 GHz; 5,150 GHz – 5,350 GHz; 5,470 GHz – 5,725 GHz

## Markenzeichen

- Die Begriffe HDMI und HDMI High-Definition Multimedia Interface sowie das HDMI Logo sind Warenzeichen oder in den Vereinigten Staaten und weiteren Ländern eingetragene Warenzeichen der HDMI Licensing, LLC.
- Das Logo „DIGITALEUROPE UHD Display“ ist eine Schutzmarke von DIGITALEUROPE.
- Das DVB Logo ist ein eingetragenes Markenzeichen des Digital Video Broadcasting – DVB- Projekts.
- In Lizenz von Dolby Laboratories gefertigt. Dolby, Dolby Audio und das Doppel-D-Symbol sind Warenzeichen von Dolby Laboratories.
- Für die DTS-Patente gehen sie bitte auf: <http://patents.dts.com>. In Lizenz für DTS Licensing Limited hergestellt. DTS, the Symbol, & DTS und the Symbol zusammen sind eingetragene Warenzeichen. DTS Studio Sound ist ein Markenzeichen der DTS, Inc. © DTS, Inc. Alle Rechte vorbehalten.
- YouTube und das YouTube Logo sind Markenzeichen der Google Inc.
- Das Wi-Fi CERTIFIED Logo ist ein Prüfzeichen der Wi-Fi Alliance.
- Wi-Fi CERTIFIED Miracast und Miracast sind Markenzeichen von Wi-Fi Alliance.
- DLNA, das DLNA Logo und DLNA CERTIFIED sind Warenzeichen, Dienstleistungszeichen oder Prüfzeichen der Digital Living Network Alliance
- Harman Kardon ist ein eingetragenes Markenzeichen von HARMAN International Industries, Incorporated, eingetragen in den Vereinigten Staaten und/oder anderen Ländern.

## Was befindet sich im Karton

### Der Lieferumfang dieses Fernsehgerät umfasst folgende Teile:

- 1x Fernsehgerät
- 1x Fernsehständer Installationspack
- 1x Fernbedienung
- 1x Benutzerhandbuch
- 2x AAA Batterien
- 1x Wandbefestigungsset (4x Schraube M6x35 und 4x Abstandhalter aus Kunststoff)

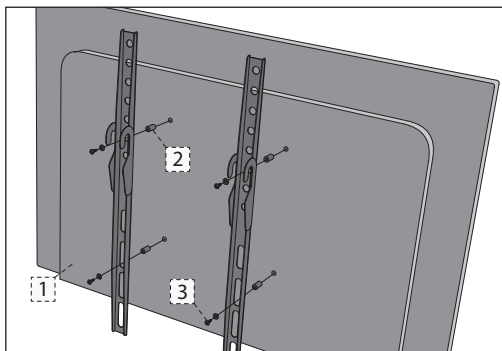
## Montage des Ständers

Bitte befolgen Sie hierzu die Anleitungen auf der letzten Seite dieses Benutzerhandbuchs.

## Das TV-Gerät an der Wand anbringen

1. Entfernen Sie die vier mitgelieferten Schrauben aus den Löchern für die Wandaufhängung.
2. Die Wandaufhängung kann nun einfach in die Aufhängungslöcher auf der Rückseite des TV-Geräts angebracht werden.
3. Bringen Sie den Wandaufhängungshaken am Fernseher an, so wie es der Hersteller des Hakens empfiehlt.

Bei der Befestigung von Wandhalterungen am Modell 50" empfehlen wir anstelle der Schrauben der TV-Wandmontagelöcher die Verwendung von längeren Schrauben und Abstandhaltern, die im Zubehörpaket enthalten sind. Bitte stecken Sie Abstandhalter in die TV-Wandbefestigungslöcher auf der Rückseite des Fernsehers und befestigen Sie daran die Wandhalterungen. Befestigen Sie die Halterungen und Abstandhalter mit längeren Schrauben am Fernseher, wie unten dargestellt:



1. TV
2. ABSTANDHALTER
3. SCHRAUBE

**HINWEIS:** Der Fernseher und der in der Abbildung gezeigte Wandhalterungstyp dienen nur zu Illustrationszwecken.

## Erste Schritte - Ersteinrichtung

1. Benutzen Sie das HF-Kabel, um den Fernseher mit der Fernsehantennen-Wandsteckdose zu verbinden.

2. Zum Anschluss Ihres Fernsehgeräts über Ihr/en Breitband Router oder Modem an das Internet mit einem Netzkabel verwenden Sie bitte ein Cat5-Ethernetkabel.
3. Verbinden Sie das Netzkabel mit der Rückseite des Fernsehers und dann mit der Steckdose.
4. Legen Sie die mitgelieferten Batterien in die Fernbedienung ein.
5. Dann drücken Sie auf den STANDBY Knopf, um das Gerät einzuschalten.
6. Jetzt erscheint der **Erstinstallations-Bildschirm**. Wenn er nicht erscheint, drücken Sie bitte auf der Fernbedienung auf [MENU], dann auf 8-8-8 und das Menü wird erscheinen. Verwenden Sie bitte die **▲/▼/◀/▶** Richtungstasten, wenn Sie Standardeinstellungen verändern möchten. Drücken Sie auf den [EXIT] Knopf um das Menü zu verlassen.
7. **Bitte nehmen Sie im ERSTEINRICHTUNG Bildschirm die gewünschten Änderungen vor.**  
**SCHRITT 1** - Legen Sie die TV-Menüsprache fest.  
**SCHRITT 2** - Legen Sie Ihr Land fest.  
**SCHRITT 3** - Legen Sie die Art der Netzwerkverbindung fest. Wenn Sie diesen Schritt überspringen und den Fernseher später mit dem Netzwerk verbinden möchten, dann wählen Sie bitte Netzwerkeinrichtung überspringen.  
**SCHRITT 4** - Wählen Sie den Ort des Fernsehers. Für Heimgebrauch, wählen Sie bitte „Home-Modus“. Für Demonstrationszwecke in einem Geschäft, stellen sie „Shop-Modus“ ein.  
**SCHRITT 5** - Geben Sie ein, ob Ihr Fernseher einen Ständer besitzt oder an der Wand angebracht ist. Der Fernseher wird die optimale Audioeinstellungen für die ausgewählte Option einstellen.  
**SCHRITT 6** - Wählen Sie die Eingangsquelle, die Sie verwenden möchten. Wenn Sie ein RF-Kabel direkt mit dem Fernseher verbunden haben, wählen Sie DTV. Wenn Ihr Fernseher über eine Satellitenverbindung verfügt, wählen Sie DVB-S\*. Im Falle, dass Sie eine Set-Top-Box verwenden, wählen Sie bitte den korrekten TV-Eingang, mit dem sie verbunden ist.
8. Wenn Sie im letzten Schritt DTV oder DVB-S2 ausgewählt haben, werden Sie nach der Einstellung der Sender gefragt. Wenn Sie „Nein“ wählen, können Sie später die Sender im Menü „EINSTELLUNGEN/SENDERSUCHE“ die Sender einstellen. Wenn Sie „Ja“ wählen, wird ein Einstellungsamenü erscheinen.

**Digital TV (DTV)-Einstellung:** Wählen Sie in der DVB-Antenne, über welche Art von Signal Sie verfügen. Terrestrisch (DVB-T) oder Kabel (DVB-C). Dann geben Sie Automatische Sendersuche und legen Ihre gewünschte Einstellungen fest. Dann wählen Sie Automatische Sendersuche, um den Senderdurchlauf zu beginnen.

**Satelliten (DVB-S2)-Einstellung:** Geben Sie Automatische Sendersuche und dann Satellit ein. Dort können Sie dann zwischen den unterschiedlichen Satelliten wählen Stellen Sie den gewünschten Satelliten ein, indem Sie die OK-Taste auf der Fernbedienung drücken. Kehren Sie dann in das vorige Menü zurück, indem Sie die Taste ZURÜCK auf Ihrer Fernbedienung drücken und wählen Sie Automatische Sendersuche, um den Senderdurchlauf zu beginnen.

**HINWEIS:** Um die Einstellungszeit der Satellitensender zu verkürzen, haben manche Länder vorinstallierte Senderlisten für die beliebtesten Satelliten in dieser Region. Wenn das für das von Ihnen ausgewählte Land der Fall ist, werden Sie gebeten, ob Sie die vorinstallierte Senderliste laden möchten. Wenn Sie sich für „Ja“ entscheiden, wird die Satellitensenderliste auf Ihren Fernseher in einigen Sekunden importiert.

**TIPP:** Wenn Kanäle fehlen, liegt dies wahrscheinlich an der Signalstärke. Sie sollten in Erwägung ziehen, einen Signalverstärker anzuschließen und das Fernsehgerät neu einzustellen.

## Fernbedienung

1. **STANDBY** – Schaltet das Gerät aus Standby an, oder umgekehrt.

2. **MUTE** – Schaltet den Ton stumm oder umgekehrt.
3. **0 – 9** – Zur Direktauswahl eines Kanals.
4. **TV GUIDE** – Öffnet die 7-Tage Fernsehzeitschrift (Digitalmodus).
5. – Um zum vorher angesehenen Kanal zurück zu schalten.
6. **PICTURE** – Durchsucht die Bildmodusoptionen.
7. **VOL ▲/▼** – Zur Lautstärkeinstellung.
8. **CH ▲/▼** – Zur Kanalauswahl.
9. **SOUND** – Durchsucht die Tonmodusoptionen.
10. **SOURCE** – Zur Anzeige des Eingangs-/Quellenmenüs.
11. **MENU** – Zum Aufruf des OSD-Menü.
12. **EXIT** – Um alle Menüs zu verlassen.
13. (**▲/▼/◀/▶/OK**) – Ermöglicht Ihnen, durch die On-Screen Menüs zu navigieren und die Systeminstellungen nach Ihren Wünschen zu verändern.
14. **BACK** – Zurück zum vorherigen Menü.
15. **FAV** – Zur Anzeige des Favoritenmenüs.
16. **INFO** – Für aktuelle/nächste Kanalinformationen: Ein Mal drücken. Drücken Sie zwei Mal für die Programminformation über laufende Sendungen.
17. **TEXT** – Teletext Modus - Um Teletext aufzurufen.
18. **SUBTITLE** – Um Untertitel am unteren Bildschirmrand ein- oder auszuschalten.
19. **TV** – Schaltet zur digitalen TV-Quelle um.
20. **YouTube** – Zum Aufruf von YouTube.
21. **NETFLIX** – Zum Aufruf von NETFLIX
22. **NET+** – Zeigt das AQUOS NET+ Menü an.
23. **Rec<sup>1</sup>** – PVR Aufnahme.
24. – Um das aktuelle Kapitel neu zu starten.
25. – Um auf das nächste Kapitel zu gehen.
26. – Um die Wiedergabe anzuhalten.
27. **Rec List<sup>1</sup>** – Öffnet die Aufnahmeliste.
28. – Schneller Rücklauf.
29. – Schneller Vorlauf.
30. – Abspielen/Pause.
31. **Farbknöpfe** – Zusätzliche Teletext- und OSD-Funktionen.

<sup>1</sup> - nur mit PVR-Funktion verfügbar

- Langes Drücken – Zurück zum vorhergehenden Menüpunkt.

\* - für ein TV-Gerät mit einem Kontrollstab

## Eingang/Quellen Modus auswählen

Um zwischen den verschiedenen Eingängen/Buchsen umzuschalten.

### a) Verwendung der Knöpfe auf der Fernbedienung:

1. Drück auf [SOURCE/□] - Das Quellenmenü erscheint.
2. Drücken Sie auf [**◀**] oder [**▶**], um den gewünschten Eingang auszuwählen
3. Drücken Sie auf [OK].

### b1) Verwendung der Knöpfe\* an Ihrem Fernsehgerät:

1. Drücken Sie auf [SOURCE]:
2. Scrollen Sie mit den VOL+/VOL- Knöpfen auf- und abwärts zur gewünschten Quelle/Eingang
3. Drücken Sie auf [SOURCE], um den/die ausgewählte/n Eingang/Quelle zu verändern.

### b2) Nutzen des TV Steuerknopfes\*:

1. Kurzes Drücken des Steuerknopfes, um in das Menü zu gelangen.
2. Steuerknopf nach unten drücken, und den Zeiger zum „SOURCES“ Menü führen.
3. Kurzes Drücken des Steuerknopfes, um in das „SOURCES“ Menü zu gelangen.
4. Mit dem Steuerknopf das Eingangssignal auswählen, welches Sie wünschen.
5. Kurzes Drücken des Steuerknopfes, um die Eingangsquelle zu bestätigen.

\* - optional

## Buchsen

Bitte sehen Sie sich die Tabelle der Buchsenarten für die unterschiedlichen Modelle auf der Seite 68 an.

	<b>USB</b> USB 2.0 Eingang 1, 2; USB 3.0 Eingang 3
	<b>HDMI 1, 2 (ARC), 3 in</b> HDMI2.0 Eingang 1, 2, 3
	<b>SD Card Kartenleser</b> SD Card Eingang
	<b>R/L - Video &amp; YPbPr audio In</b> Komponente / Video Audioeingang
	<b>Video (CVBS)</b> VIDEO Eingang
	<b>Component/YPbPr</b> HD Eingang
	<b>SCART</b> SCART Eingang
	<b>CI Card IN</b> CI Eingang
	<b>RF In</b> RF / TV Antenneneingang
	<b>Sat In</b> Satelliteneingang
	<b>Digital Optical Audio Out</b> Digitaler optischer Ausgang
	<b>RJ 45</b> Ethernet

## TV-Knöpfe\*

**Vol+** Lautstärke auf und Menü rechts

**Vol-** Lautstärke ab und Menü rechts

**CH+** Programm/Kanal auf und Menü auf

**CH-** Programm/Kanal ab und Menü ab

**MENU** Zeigt das Menü/OSD-Menü an

**SOURCE** Zeigt das Eingangsquellenmenü an

**STANDBY** Standby Strom Ein/Aus

\* - für TV-Geräte mit Tasten

## TV Steuerknopf\*

Der TV Steuerknopf befindet sich an der Rückseite des TV an der linken unteren Seite. Sie können diesen anstatt der Fernbedienung nutzen, um die meisten der Funktionen Ihres TV einzustellen.

### Während der TV im Standby Modus ist:

- Kurzes Drücken – Einschalten.

### Während der TV in Betrieb ist:

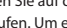
- Rechts/Links – Lautstärke erhöhen oder verringern.
- Oben/Unten – Wechsel des Kanals.
- Kurzes Drücken – Menü anzeigen.
- Langes Drücken – In Standby schalten.

### Während Sie im Menü sind:

- Rechts/Links/Oben/Unten – Navigation des Zeigers im Bildschirmmenü.
- Kurzes Drücken – OK/Auswahl treffen.

-  **HEADPHONES**  
3,5 mm Kopfhöreranschluss
-  **D-link**  
Nur Service Eingabe

## TV Menünavigation

Drücken Sie auf der Fernbedienung den [MENU] Knopf, um dieses Menü aufzurufen. Um ein Menü zu öffnen, drücken Sie [OK]. Verwenden Sie bitte die  Richtungstasten, wenn Sie Standardeinstellungen verändern möchten. Drücken Sie den [OK] Knopf, um Einstellungen zu bestätigen. Drücken Sie auf den [EXIT] Knopf um das Menü zu verlassen.

## Netflix

Der weltweit führende Internetfernsehsender. Er stellt Tausende von Filmen und TV-Shows bereit, einschließlich von selbst produzierte Serien, Dokumentationen und Spielfilmen. Mitglieder können Filme abspielen, pausieren und sie weiter anschauen, ohne Werbung und anderen Verpflichtungen. Sie können sich in diese App mit Ihrem existierenden Netflix-Account einloggen. Wenn Sie keinen Netflix-Account haben, können Sie sich über diese App oder die offizielle Netflix-Website registrieren.

## YouTube

Die Video-Teil-App erlaubt Ihnen, von Usern geschaffenen Videos zu entdecken und betrachten.

**HINWEIS:** Damit die Youtube App funktioniert, muss das Datum und die Uhrzeit des Fernsehers richtig eingestellt sein. Weitere Informationen zur Einstellung des Datums und der Uhrzeit finden Sie im Kapitel UHRZEIT dieses Benutzerhandbuchs. Bitte stellen Sie sicher, dass Ihr Netzwerk den Zugang zu Youtube nicht blockiert und dass Ihre Internetgeschwindigkeit ausreicht, um Youtube-Inhalte anzuzeigen.

## Mehr Apps

Enthält die am häufigsten benutzten Apps für einen schnellen und einfachen Zugriff.

**AQUOS NET+** - Öffnet das Sharp SMART Portal.

**Wetter** - Die Wetterbericht-App AccuWeather.

**Browser** - App, um auf Websites im Internet

zugreifen. Navigation im Browser:

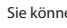

- **CH+** - Seiten hochscrollen
- **CH-** - Seite herunterscrollen
- **Rote Taste** - Menüleiste des Browser anzeigen/verstecken
- **Gelbe Taste** - Hereinzoomen
- **Blaue Taste** - Herauszoomen

## QUELLEN

Über dieses Menü können das Das TV-Eingangssignal auf verschiedene Quellen/angeschlossene Geräte umschalten.

## Media

**USB** - Der Multimodius ermöglicht das Abspielen verschiedener, auf einem USB-Speicherstick gespeicherter Inhalte. Der Inhalt ist in verschiedene Dateiarten unterteilt: Foto, Musik und Film. Die 'File Option' zeigt alle Arten an unterstütztem Inhalt an und Sie können diese Abspielen.

1. Sie können mit den Richtungsknopfen  durch das Menü navigieren. Drücken Sie auf den [OK] Knopf, wenn Sie einen Eintrag bestätigen möchten, den Sie abspielen oder ansehen möchten.
2. Während des Ansehens können Sie die Medienabspielmodi mit der Fernbedienung oder durch Einblenden des Abspielnavigationsmenüs und Auswahl der On-Screen Knöpfe  und [OK] steuern.

**HINWEIS:** USB Verlängerungskabel sind nicht empfehlenswert, da sie eine Verringerung der Bild-/Tonqualität und Unterbrechungen beim Abspielen von USB Inhalt verursachen können.

**Miracast\*** - Erlaubt Ihnen, Inhalte von Ihrem Smartphone oder Tablet auf dem TV anzusehen. Die drahtlose Verbindung wird über WiFi-Direct hergestellt, so daß eine Verbindung über ein WiFi-Netzwerk nicht nötig ist. Sie können Inhalte von Ihrem Smartphone oder Tablet basierend auf Android 4.4 oder höher ansehen.

**Medienserver** - Sucht automatisch nach mit Ihrem Heimnetzwerk verbundenen Digitale Medien Server (DMS) und ermöglicht das Abspielen und Darstellen von Inhalten aus Medienservern.

\* - **Diese Funktion ist nur bei einigen Smartphones und Notebooks verfügbar.**

## Bild

**Bildeinstellung** - Wählen Sie aus den folgenden Voreinstellungen:

- **Standard** - Standardeinstellung.
- **Film** - hellere Farben und weniger Kontrast.
- **Persönlich** - Hier können Sie alle Einstellungen ändern.
- **Eco** - Verbraucht 15 % weniger Strom.
- **Dynamisch** - Empfohlene Einstellung für sich schnell bewegende Bilder.

**Kontrast** - Verändert die Balance zwischen Schwarz und Weiß.

**Helligkeit** - Erhöht oder vermindert die Bildhelligkeit.

**Farbe** - Verändert die Farbintensität.

**Schärfe** - Erhöht oder vermindert die Bildschärfe.

**Farbtemperatur** - Wählen Sie eine der Voreinstellungen aus.

- **Normal** - Standardeinstellung
- **Warm** - Erhöht im Bild den Rotanteil
- **Kalt** - Erhöht im Bild den Blauanteil

**Bildformat** - Je nach Kanal/Sender kann das Bildformat unterschiedlich sein. Es gibt eine Anzahl verschiedener Optionen, die ihre Bedürfnisse am besten erfüllen.

- **Auto** - Zeigt automatisch das beste Bildformat an. Damit ist das Bild in der richtigen Position. Es kann oben und unten und/oder an den Seiten schwarze Balken haben.
  - **4:3** - Zeigt das 4:3 Bild in seiner Originalgröße an. Es werden Seitenbalken angezeigt, um den 16:9 Bildschirm zu füllen.
  - **16:9** - Füllt den Bildschirm mit dem regulären 16:9 Signal.
  - **Zoom 1/2** - Das Bild hat die richtige Position, ist aber vergrößert, um den Bildschirm auszufüllen.
  - **Dot by Dot (HDMI)** - Zeigt das Bild in seiner originalen, unveränderten, Auflösung an.
  - **Vollbild** - Streckt das Signal, um den Bildschirm zu füllen.
- Experteneinstellungen**
- **Rauschunterdrückung** - Filtert und verringert das Bildrauschen/Bildstörungen
  - **Aktiver Kontrast** - Optimiert automatisch die "Hintergrundbeleuchtung" und den "Bildkontrast" anhand der Bildschirmhelligkeit.
  - **Hintergrundbeleuchtung** - Sie können die Helligkeit



des Bildschirms durch die Erhöhung/Verminderung der Hintergrundbeleuchtung des Schirms anpassen.

- **Gamma** - Zur Verstellung der Farbtöne zwischen den hellen und dunklen Bestandteilen des Bildes.
- **Rot** - Zur Verstellung des Rotttons des Bilds.
- **Grün** - Zur Verstellung des Grünton des Bilds.
- **Blau** - Zur Verstellung des Blautons des Bilds.

## Sound

**Soundmodus** - Wählen Sie eine der folgenden Voreinstellungen aus

- **Standard** - Standardeinstellungen
- **Musik** - Hebt Musik gegenüber Sprache hervor
- **Film** - Stellt live und vollen Sound für Filme zur Verfügung
- **Persönlich** - Wählt Ihre eigenen Sondereinstellungen aus
- **Sport** - Hebt Sportgeräusche hervor

**Equalizer** - Zur Anpassung der Lautstärke verschiedener Tonfrequenzen. Höhen- und Basseneinstellungen können nur verstellt werden, wenn der Soundmodus 'Eigene' ausgewählt ist.

**Kopfhörer**

- **HP+TV** - ermöglicht die gleichzeitige Tonausgabe über TV-Lautsprecher und Kopfhörer.
- **Volume** - Regelt die Lautstärke des Kopfhörers.

**Balance** - Zur Anpassung der Lautstärke des linken und rechten Lautsprechers.

**Autom. Lautstärke** - Wenn 'AN' ausgewählt ist, bleibt die Lautstärke ungeachtet des Eingang und der Quelle gleich.

**DTS TruSurround** - Hier können Sie den Surround Sound Effekt EIN oder AUS schalten.

**Digitalausgang** - Dies ist der digitale Audioausgang.

Sie können folgende Einstellung auswählen

- **AUS** - AUS
- **Auto** - Wählt automatisch die besten Einstellungen
- **PCM** - Wählen Sie diese Option, wenn Sie ein Hi-Fi Stereogerät verbinden möchten. Pulse Code Modulation (PCM) ist die digitale Wiedergabe eines analogen Signals.

**Audiobeschreibung** - Zusätzliche Tonspur für Sehbehinderte.

Steht nur bei ausgewählten DTV-Sendungen zur Verfügung.

**AB Lautstärke** - Zur Lautstärkeeinstellungen der Audiobeschreibung Tonspur.

**Tonspur** - Auswahl verschiedener Tonspuren/ Sprachen für digitales Fernsehen oder Medien.

**Audioverzögerung (ms)** - Hiermit können Sie die Sondereinstellungen verändern, um das Bild mit der Tonwiedergabe über die Fernhohlautsprecher zu synchronisieren.

**SPDIF-Verzögerung (ms)** - Hiermit können Sie die Sondereinstellungen verändern, um die Tonwiedergabe von über den digitalen Audioausgang verbundenen externen Lautsprechern mit der Bildwiedergabe zu synchronisieren.

## EINSTELLUNGEN

### SENDERSUCHE

**DVB Antenne** - Auswahl der Art des DTV Signals

- **Terrestrisch** - Antenne (DVB-T)
- **Kabel** - Kabel (DVB-C)

**Automatische Sendersuche** - Hiermit können Sie das Fernsehgerät erneut nach allen verfügbaren digitalen Kanälen, digitalen Radiosendern und analogen Kanälen suchen lassen.

**Manuelle Analog Suche** - Hiermit können Sie das Analogsignal manuell einstellen.

**Manuelle DTV Suche** - Hiermit können Sie das Digitalsignal manuell einstellen.

**Programme bearbeiten** - Hiermit können Sie Kanäle löschen, überspringen oder den Favoriten hinzufügen.

- **Rote Taste** - gewählten Kanal löschen
- **Gelbe Taste** - gewählten Kanal verschieben. Gehen Sie mit dem Cursor auf den Kanal, den Sie verschieben möchten und drücken Sie die gelbe Taste. Nun können Sie mit der Pfeiltasten Hoch/Runter den Kanal auf die gewünschte Position verschieben. Drücken Sie die gelbe Taste erneut, um die neue Position zu bestätigen.
- **Blaue Taste** - gewählten Kanal überspringen. Zum Überspringen ausgewählte Kanäle werden dann nicht angezeigt, wenn Sie die CH+ oder CH- Tasten drücken.

**Signalinformation** - Information über das DVB Signal.

**CI-Informationen** - Für Bezahlfernsehen benötigen Sie eine „Smartcard“, die Sie in das Fernsehgerät einstecken müssen. Wenn Sie Bezahlfernsehen abonnieren, dann erhalten Sie vom Anbieter eine „CAM“ und eine „Smartcard“. Die „Smartcard“ müssen Sie in den ALLGEMEINEN SCHNITTSTELLEN PORT (CI Card In) einstecken.

**LCN** - Setzen Sie LCN auf AN, wenn Sie die Kanäle nach den Anwenderpräferenzen anordnen möchten (gilt nur für DVB-T und DVB-C Kanäle).

**Senderliste-Auto-Update** - Wenn Sie diese Option auf ON schalten, werden Kanalpositionen, -namen und -frequenzen regelmäßig vom Provider upgedatet. Dies kann zu Problemen führen, wenn Sie die Kanäle selbst in einer Kanalliste sortiert haben. In diesem Fall raten wir Ihnen, die Option abgeschaltet zu lassen.

**Timerliste** - Liste Ihrer Programmierinnerungen

**Satellit Konfiguration** - Dieses Menü ist nur im DVB-S2

Modus verfügbar. Hier können die Satellitenart, Ihren Transponder und Ihren LNB-Type usw. auswählen.

**OAD (Software Update)** - Download von OAD-Softwareupdates an-/ausschalten (d.h. drahtloser Download).

### NETZWERK

**Netzwerkconfiguration** - Zunächst müssen Sie Ihre Verbindungsart auswählen. Sie können zwischen Wi-Fi oder Kabel (LAN) auswählen.

**HINWEIS:** Zum Anschluss Ihres Fernsehgeräts über Ihr/en Breitband Router oder Modem an das Internet mit einem Netzwerkkabel verwenden Sie bitte ein Cat5-Ethernetkabel.

**IP Konfiguration** - Einstellung der LAN Netzwerkverbindung

- **Auto** - Verbindet Ihr Fernsehgerät automatisch mit Ihrem Heimnetzwerk (das ist die Standardeinstellung und sie ist sehr empfehlenswert)
- **Manuell** - Ermöglicht Ihnen, IP, Netmask, Gateway und DNS Angaben manuell zu verändern.

**Wi-Fi Konfiguration** - Einstellungen für die drahtlose Netzwerkverbindung

- **Wi-Fi Auto Suche** - Sucht automatisch nach vorhandenen drahtlosen Netzwerken. Wählen Sie das gewünschte Wi-Fi Netzwerk aus und geben dann das Netzwerk-Passwort ein (wenn das Netzwerk mit einem Passwort geschützt ist). Nachdem das Passwort akzeptiert wurde, werden Sie nicht mehr danach gefragt werden.

**HINWEIS:** Haben Sie bitte etwas Geduld. Der Verbindungsprozess kann einige Minuten dauern. Jedes Mal, wenn das Fernsehgerät eingeschaltet wird, wird es sich automatisch mit dem Netzwerk verbinden, aber das kann ebenfalls einige Zeit dauern.

**Netzwerk Info** - Anzeige der Netzwerkeinstellungen.

**Netzwerk Test** - Test der Netzwerkverbindung.

### UHRZEIT

**Auto Sync** - Stellt automatisch Zeit und Datum auf dem Fernseher ein. Erfordert eine Verbindung des Fernsehers mit einem digitalen Signal und/oder einer Internetverbindung. Schaltet „Auto Sync“ ab, um Zeit- und Datumseinstellungen manuelle vorzunehmen. Wenn „Auto Sync“ abgeschaltet ist und Zeit und Datum manuell eingestellt werden, wird diese Information zurückgesetzt, wenn die Stromversorgung des Fernsehers getrennt wird.

**Uhr** - Zeigt Datum und Zeit an. Kann eingestellt werden, wenn „Auto Sync“ abgeschaltet ist.

**Ausschaltzeit** - Zur Auswahl einer vorgegebenen Zeit, zu der das Fernsehgerät sich ausschalten soll.

**Einschaltzeit** - Zur Auswahl einer vorgegebenen Zeit, zu der das Fernsehgerät sich einschalten, welcher Kanal gezeigt, welche Quelle an sein und auch welche Lautstärke eingestellt sein soll. Diese Funktion kann so eingestellt werden, das sie sich täglich oder an einem bestimmten Tag wiederholt.

**Einschlaf-Timer** - Zur Einstellungen des Sleep Timer, damit sich das Fernsehgerät nach dem eingestellten Zeitraum von selbst ausschaltet. Aus -> 10 Min -> 20 Min -> 30 Min -> 60 Min -> 90 Min -> 120 Min -> 180 Min -> 240 Min.

**OSD Timer** - Hiermit können Sie die Zeit einstellen, die das On-Screen Menü auf dem Bildschirm bleibt, bis es wieder verschwindet.

**Auto Standby** - Einstellung für das Auto Standby in Stundenabständen: Aus -> 3 Std. -> 4 Std. -> 5 Std.

**Zeitzone** - Zur Änderung Ihrer aktuellen Zeitzone.

## SPERRE

**System sperren** - Hiermit können Sie das Menü sperren und entsperren. Sie werden gebeten, ein 4-stelliges Passwort einzugeben. Verwenden Sie den ◀ Knopf, um die Passworteingabe zu beenden. Verwenden Sie den ▶ Knopf zum Löschen. Das Standardpasswort ist 0000.

**Passwort setzen** - Änderung des Standardpassworts.

**Sender Sperren** - Sperrt einzelne Fernsehkanäle

**Jugendschutz** - Sperrt Fernsehkanäle anhand von Altersbeschränkungen.

**Tastensperre** - gestattet es Ihnen, den Steuerknüppel an der Rückseite des Fernsehgeräts zu sperren.

**Quellensperre** - gestattet es Ihnen, die gewählten Eingänge aus dem Quellenmenü auszublenden.

**Hotelmodus** - erweiterte Einstellungen für Hotels.

## KONFIGURATION

**Menü-Sprache** - Hiermit können Sie die Menüsprache verändern.

**Audiosprachen** - Hier können Sie für einzelne DVB-Kanäle die Audiosprache verändern.

**Untertitelsprache** - Hier können Sie für einzelne DVB-Kanäle die Sprache der Untertitel verändern.

**Gehörlosenhilfe** - Wenn das Signal Hörschädigt unterstützt, können die Untertitel durch drücken auf „Untertitel“ eingeblendet werden. Wenn Sie Hörschädigt auf AN setzen, und auf einen Kanal schalten, der Hörschädigt unterstützt, werden die Untertitel automatisch eingeblendet.

**Blauer Bildschirm** - Verändert den Hintergrund von durchsichtig in einen blauen Hintergrund, wenn kein Signal angezeigt wird (Nur bei einigen Quellen verfügbar).

**Erstinstallation** - Ruft die Ersteinrichtung auf.

**Software Update (USB)** - In gewissen Zeitabständen bringen wir neue Firmware (als Download verfügbar) heraus, um den Betrieb des Fernsehgeräts zu verbessern. Mit diesem Menü können Sie neue Software/Firmware in Ihr Fernsehgerät installieren. Weitere Einzelheiten, wie man dies macht, werden mit der Firmware mitgeliefert. Setzen Sie sich mit der Helpline in Verbindung oder sehen Sie auf der [www.sharp.eu/av/](http://www.sharp.eu/av/) Internetseite nach.

**Software Update (NET)** - Ermöglicht, die TV-Software über das Internet zu aktualisieren. Diese Funktion sucht nach neuer Software und aktualisiert sie, wenn erforderlich.  
**HINWEIS:** Jedes Mal, wenn das Fernsehgerät eingeschaltet wird, sucht es nach neuen Softwareversionen. Wenn eine neue Version gefunden wird, werden Sie gefragt, ob Sie sie herunterladen und installieren möchten. Wenn Sie 'Yes' auswählen, wird das Fernsehgerät mit der neuesten Software aktualisiert.

**ACHTUNG:** Schalten Sie das Fernsehgerät nicht vor der Beendigung der Aktualisierung aus!

**Werkseinstellungen** - Dies setzt die Menüs auf die Werkseinstellungen zurück.

**HDMI CEC\*** - Hiermit können Sie über HDMI angeschlossene Geräte mit der TV-Fernbedienung steuern.

- **Geräteleiste\*** - Hiermit können Sie auf die Gerätemenüs zugreifen

und das Menü über die TV-Fernbedienung steuern.

- **HDMI CEC** - HDMI CEC-Funktion ein-/ausschalten.
- **Auto Standby\*** - Schaltet über HDMI CEC Geräte automatisch an/aus.
- **HDMI ARC\*** - Sendet das Audiosignal einer terrestrischen oder Satellitenübertragung kabellos via HDMI an den AV-Receiver. Es sind keine zusätzlichen Audiokabel erforderlich. Diese Funktion steht nur beim HDMI 2 Ausgang zur Verfügung.

\* - **Das angeschlossene Gerät muss HDMI CEC unterstützen.**

**HDMI EDID** - überträgt die Fähigkeiten des Fernsehers (Auflösung, Audiosupport usw.) direkt an das per HDMI angeschlossene Gerät. Dieses Feature ermöglicht Ihnen, die ausgewählten HDMI-Input-Modi von HDMI auf HDMI2.0 umzustellen.

- **Standard** - empfohlen, wenn der Fernseher mit einem Gerät mit einem HDMI 1.4-Ausgang oder niedriger verbunden ist, z.B. einem Full HD Blu-Ray-Player, einem DVD Player oder einer Spielkonsole.

- **Verstärkung** - empfohlen, wenn der Fernseher mit einem Gerät mit einem HDMI 2.0-Ausgang, z. B. 4 K Blu-Ray-Player oder einem modernen PC verbunden ist.

**LED Status** - Hiermit können Sie die LED Betriebsanzeige EIN oder AUS schalten, wenn das Fernsehgerät läuft. (Wenn diese Option auf AUS eingestellt ist, dann blinkt die LED Betriebsanzeige, wenn die Fernbedienung verwendet wird).

**HbbTV** - Ein-/Ausschalten von HbbTV. Um HbbTV nutzen zu können, muß der TV mit dem Internet verbunden sein und der gewählte Kanal HbbTV unterstützen.

**Versionsinfo** - Zeigt die TV-Softwareversion an.

**Quellenbearbeitung** - gestattet es dem Benutzer, die Einträge auf der Liste der Eingangsquellen manuell umbenennen. Sie können beispielsweise Eingänge umbenennen und dafür die Namen der verbundenen Geräte eingeben.

## AQUOS NET+

AQUOS NET+ gibt Ihnen die Möglichkeit, auf Ihrem AQUOS LCD TV zahlreiche verschiedene Anwendungen aufzurufen oder im Web zu surfen. Um das AQUOS NET+ Menü aufzurufen, müssen Sie auf den NET+ Knopf auf der Fernbedienung drücken oder es im TV Mehr Apps auswählen.

**HINWEIS:** Bitte warten Sie, bis sich das Fernsehgerät mit dem Wi-Fi Netzwerk verbunden hat. Dies kann nach Einschalten Ihres Fernsehgeräts einige Minuten dauern.

Sie können mit den Richtungsknopfen ▲/▼/◀/▶ durch das Menü navigieren. Drücken Sie auf den [OK] Knopf, wenn Sie einen Eintrag bestätigen möchten, den Sie abspielen oder ansehen möchten. Für 'einen Schritt zurück' drücken Sie auf den [Menu] Knopf drücken und zum Aufruf der zusätzlichen Funktionen können Sie die Farbköpfe verwenden. Um AQUOS NET+ zu beenden, drücken Sie auf den [EXIT] Knopf.

**Home** - Startbildschirm mit den empfohlenen Filmen und kürzlich geöffneten Anwendungen

**Alle Apps** - Öffnet eine Liste der vorhandenen Anwendungen

**Filme** - Öffnet eine Liste der vorhandenen Filme

**TV Shows** - Öffnet eine Liste der vorhandenen Fernsehsendungen

**Musik** - Öffnet eine Liste der vorhandenen Musikstücke und Musikvideos

**Spiele** - Liste von Spielen und mit Spielen verbundenen Apps.

**Sport** - Liste von mit dem Sport-Apps.

**News** - Liste von Nachrichten-Apps.

**Suche** - Suchen Sie nach einer App, indem Sie ihren Namen oder einen Teil davon eingeben.

**My Apps** - Indem Sie Apps zu der Liste „My Apps“ hinzufügen, sind Sie in der Lage, schnell auf Ihre Lieblings-Apps zuzugreifen. Um eine App zu der Liste hinzuzufügen, markieren Sie einfach eine App und drücken Sie auf die grüne Taste, dann wird sie in Ihrer „My Apps“-Liste auftauchen. Um eine unerwünschte App von der Liste zu entfernen, müssen Sie sie markieren und die GRÜNE Taste drücken.

**Einstellungen** - Im Einstellungsmenü können Sie die Sprache des Aquos NET+-Portals ändern, einen für die ausgewählten

Sprache spezifischen Filter einstellen und alle Usereinstellungen auf die Standardeinstellungen zurücksetzen.

**RESET DER USEREINSTELLUNGEN:** Wenn Sie alle Usereinstellungen in AQUOS NET + zurücksetzen möchten, müssen Sie zuerst das Einstellungs Menü im Portal auswählen und „Portal zurücksetzen“ auswählen. Bitte wählen Sie JA mit dem Cursor aus und drücken Sie dann OK auf der Fernbedienung, um das Reset der Einstellungen zu bestätigen.

**HINWEIS:** Wir verbessern ständig unsere Produkte, um den Kundenwünschen gerecht zu werden. Daher wird das AQUOS NET+ laufend von uns mit neuen Inhalten ergänzt. Die Anwendungen und Inhalte des AQUOS NET+ können ohne Vorankündigung geändert werden. Einige der Funktionen und Inhalte können in Ihrem Land nicht verfügbar sein.

## 7 Tage Fernsehführer

Der Fernsehführer ist im TV-Digitalmodus vorhanden. Er bietet Informationen über zukünftige Sendungen (wenn vom Digitalkanal unterstützt). Sie können die Beginn- und Endzeiten aller Programme und allen Kanälen für die nächsten 7 Tage sehen und Erinnerungen setzen.

1. Drücken Sie auf [TV FÜHRER]. Der folgende 7 Tage TV Führer erscheint.
2. Sie können mit ▲/▼/◀/▶ durch das Menü navigieren.

### Jetzt können Sie:

- Durch Drücken des GRÜNEN Knopfs eine Erinnerung setzen. Sich den Vortag durch Druck auf den GELBEN Knopf ansehen. Sich den nächsten Tag durch Druck auf den BLAUEN Knopf ansehen. [INFO] zeigt detaillierte Informationen über die gewählte Sendung an
- 3. Drücken Sie auf [EXIT], um den 7 Tage TV Führer zu schließen.

## USB Aufzeichnung - Digitalmodus

Die PVR Funktion ist in Deutschland, Österreich und der Schweiz nicht verfügbar.

## HDR (High Dynamic Range)

HDR-Video entfernt einige der Beschränkungen eines normalen Videosignals und zeigt das Bild, das mit einem breiteren Dynamikumfang bei Farbe und Helligkeit erzeugt wurde.

### HINWEISE:

- Die HDR-Funktion aktiviert sich automatisch, wenn ein HDR-Signal erkannt wird – vorausgesetzt, dass HDMI EDID im „KONFIGURATION“-Menü auf „Verstärkung“ gestellt wurde.
- Dieser Fernseher kann HDR-Inhalte über die HDMI- oder USB-Eingänge darstellen.
- Wenn Sie die Verbindung über einen der HDMI-Anschlüsse herstellen, muss das externe Gerät auch HDR, HDMI2.0 und die Wiedergabe von mit HDR gemasterten Aufnahmen unterstützen.
- Dieses Gerät unterstützt keine HDR-Inhalte von integrierten Apps wie Netflix oder YouTube.

## Typenschild

Markenzeichen:	
Modell:	LC-50UJ7222E LC-50UJ7322E LC-50UJ7422E
Energieeffizienzklasse:	A+
Sichtbare Bildschirmgröße (diagonal):	50" / 127cm
Stromverbrauch im eingeschalteten Zustand:	70,0 W
Jährlicher Stromverbrauch*:	102 kWh
Standby Stromverbrauch**:	<0,50 W
Stromverbrauch ausgeschaltet:	N/A
Bildschirmauflösung:	3840 (H) x 2160 (V)

\*- Stromverbrauch von XYZ kWh je Jahr auf der Grundlage des Stromverbrauchs eines Fernsehgeräts, dass an 365 Tagen für 4 Stunden am Tag eingeschaltet ist. Der tatsächliche Stromverbrauch hängt davon ab, wie das Fernsehgerät verwendet wird.

\*\* - wenn das Gerät mit der Fernbedienung ausgeschaltet wurde und keine Funktion aktiv ist

## Importantes consignes de sécurité



**Svp, lire ces consignes de sécurité et respecter les avertissements suivants avant que l'appareil ne soit actionné:**

**Afin d'éviter un incendie, maintenir toujours les bougies et autres flammes nues éloignées de ce produit.**



- Les télévisions avec écran de 43" ou plus doivent être soulevées et portées par au moins deux personnes.
- Cette TV ne contient aucune pièce qui pourrait être réparée par l'utilisateur. En cas de défaut, contacter le fabricant ou l'agent autorisé qui assure le service après-vente. Le contact avec certaines parties situées à l'intérieur de la TV pourrait mettre votre vie en danger. La garantie ne couvre pas les défauts provoqués par des réparations effectuées par des tiers non autorisés.
- Ne pas enlever la partie arrière de l'appareil.
- Cet appareil est conçu pour la réception et la reproduction des signaux vidéos et sonores. Toute autre utilisation est interdite.
- Pour déconnecter la télévision de l'alimentation électrique, veuillez débrancher la fiche de la prise d'alimentation.
- Si le cordon d'alimentation est endommagé, il doit être remplacé par le fabricant, un agent du service après-vente ou des personnes de qualifications similaires afin d'éviter un risque.
- La distance idéale pour regarder une TV est approximativement équivalente à cinq fois la diagonale de l'écran. Les réflexions d'autres sources lumineuses sur l'écran peuvent altérer la qualité de l'image.
- S'assurer que la TV dispose d'une ventilation suffisante et qu'elle n'est pas à proximité d'autres appareils et d'autres meubles.
- Assurez une distance minimum de 5 cm autour de l'appareil afin d'assurer une ventilation suffisante.
- S'assurer que les ouvertures de ventilation sont dégagées des articles tels que des journaux, des nappes de table, des rideaux, etc...
- La TV est conçue pour être employée sous un climat modéré.
- Ne pas exposer la TV aux égouttures ou éclaboussures de liquides.
- La TV est conçue exclusivement pour une utilisation dans un endroit sec. Quand on utilise la TV à l'extérieur, s'assurer qu'elle est protégée contre l'humidité (pluie, éclaboussures d'eau). Ne jamais exposer la TV à l'humidité.
- Ne placez pas d'objets, de récipients remplis de liquide, comme des vases, etc..., sur la télévision. Ces récipients pourraient être renversés, ce qui mettrait en danger la sécurité électrique. Placer la TV exclusivement sur des surfaces plates et stables. Ne placer aucun objet tel qu'un journal ou une couverture, etc. sur ou sous la TV.
- S'assurer que l'appareil n'est posé sur aucun câble électrique qui pourrait ainsi être endommagé. Les téléphones mobiles et autres dispositifs tels que les adaptateurs WLAN (Réseau local sans fil), les caméras de surveillance avec transmission sans fil du signal, etc. peuvent causer de l'interférence électromagnétique et ne devraient pas être placés près de l'appareil.
- Ne pas placer l'appareil près d'éléments chauffants ou dans un endroit exposé à la lumière directe du soleil cela ayant un effet négatif sur le refroidissement de l'appareil. La chaleur accumulée est dangereuse et peut sérieusement réduire la vie de l'appareil. Afin d'assurer la sécurité, demander à une personne qualifiée d'enlever la poussière de l'appareil.

- Essayer d'empêcher l'endommagement des câbles ou adaptateurs du secteur. L'appareil ne peut être connecté qu'aux câbles ou adaptateurs du secteur.
- Les orages sont dangereux pour tous les appareils électriques. Si le secteur ou le câblage aérien est frappé par la foudre, l'appareil peut être endommagé, même s'il était éteint. Il faudrait débrancher tous les câbles et connecteurs de l'appareil avant un orage.
- Pour nettoyer l'écran de l'appareil, utiliser seulement un tissu humide et doux. Employer seulement de l'eau propre, jamais de détergents et en aucun cas des dissolvants.
- Placer la TV près du mur pour éviter la possibilité de la faire tomber en la poussant.
- AVERTISSEMENT - Ne placez jamais une télévision dans un emplacement instable. Une télévision peut tomber, causant de graves blessures corporelles, voire la mort. De nombreuses blessures, particulièrement chez les enfants, peuvent être évitées en prenant de simples précautions telles que:
  - Utiliser des meubles de télévision recommandés par le fabricant.
  - N'utiliser que des meubles pouvant supporter la télévision de manière sûre.
  - S'assurer que la télévision ne dépasse pas du bord du meuble la supportant.
  - Ne pas placer la télévision sur un haut meuble (par exemple, armoire ou étagères) sans ancrer le meuble et la télévision à un support adapté.
  - Ne pas placer la télévision sur un tissu ou autre matériau pouvant être entre la télévision et le meuble de support.
  - Éduquer les enfants sur les dangers de grimper sur les meubles pour atteindre la télévision ou ses commandes.
  - S'assurer que les enfants ne puissent pas grimper ou attraper la télévision.
- Si votre télévision existante est conservée et changée d'emplacement, les considérations ci-dessus s'appliquent aussi.
- Les instructions exposées ci-dessous sont une manière plus sûre d'installer la TV par fixation murale, supprimant ainsi la possibilité qu'elle tombe vers l'avant et provoque des blessures et des dégâts.
- Pour ce type d'installation une corde d'attache est nécessaire
  - A) En utilisant un ou deux trous pour la fixation murale et les vis (les vis sont déjà fournies dans les trous pour la fixation murale), attacher une extrémité de la corde d'attache à la TV.
  - B) Fixer l'autre extrémité de la corde d'attache au mur.
- Note : En cas de décharge électrostatique (ESD), l'appareil peut fonctionner de manière inappropriée. Dans ce cas, éteignez et rallumez le téléviseur. Le téléviseur se remettra à fonctionner normalement.

### Avertissement:

- N'utilisez pas de télévision directement après déballage. Attendez que la télévision se réchauffe à la température ambiante avant de l'utiliser.
- Assurer toujours le libre accès à la fiche secteur de la TV.
- L'appareil n'est pas conçu pour un usage dans un lieu de travail équipé de moniteurs.
- L'utilisation systématique des écouteurs à un niveau de volume élevé peut conduire à des dommages irréversibles de l'audition.
- Assurer l'élimination de cet appareil et de tous les composants y compris les batteries, en conformité avec les normes environnementales. Dans le doute, entrer en contact avec l'autorité locale pour les détails concernant le recyclage.
- Tout en installant l'appareil, se souvenir que les surfaces des meubles sont traitées avec divers vernis, plastiques, etc. ou qu'elles peuvent être cirées. Les produits chimiques contenus dans ces produits peuvent avoir une réaction avec le support de la TV. Ceci pourrait faire que des morceaux de matériaux collent à la surface des meubles, qu'il sera difficile d'enlever, voire impossible.
- L'écran de la TV a été fabriqué selon des conditions de qualité supérieure et a été examiné en détail plusieurs fois, pour détecter les pixels défectueux. En raison des propriétés technologiques du processus de fabrication, il n'est pas possible d'éliminer l'existence d'un nombre restreint de points défectueux sur l'écran (même avec soin extrême, au cours de la production). Ces pixels défectueux ne constituent pas un défaut en

termes de condition de garantie si leur ampleur n'est pas plus grande que les limites définies par la norme DIN.

- Le fabricant ne saurait être tenu responsable de tout problème lié au service client relatif au contenu ou aux services d'une tierce partie. Tout commentaire, question ou service relatif aux blessures résultant d'un contenu ou service tiers doit être dirigé au fournisseur du contenu ou service approprié.
- Il existe de nombreuses raisons pouvant vous empêcher d'accéder au contenu ou aux services de l'appareil non directement liées à l'appareil, y compris, mais non limitées à, une panne de courant, un problème de connexion internet ou de configuration de votre appareil. Universal Media Corporation, ses directeurs, employés, agents, prestataires et affiliés ne sauraient être tenus responsables de vous ou de tout autre tierce partie quant à de telles pannes ou problèmes de maintenance, quelle que soit la cause ou que le problème n'ait pu ou non être évité.
- Tous les contenus et services tiers accessibles via cet appareil vous sont fournis « tel quel » et « tel que disponible » et Universal Media Corporation et ses affiliés ne sauraient formuler aucune garantie ou représentation de quelque nature que ce soit, expresse ou tacite, y compris, mais sans s'y limiter, d'absence de contrefaçon, d'adéquation à un usage particulier, de disponibilité, de précision, de complétude, de sécurité, de titre, d'utilité, de manque de négligence ou d'erreur, de fonctionnement ininterrompu ou d'utilisation du contenu ou des services fournis ou du contenu ou que le contenu ou les services répondront à vos exigences et attentes.
- « Universal Media Corporation » n'est pas un agent de tels fournisseurs tiers et n'assume aucune responsabilité des actes et omissions de tels fournisseurs tiers de contenu ou de services, ou de tout aspect du contenu ou des services liés à de tels fournisseurs.
- En aucun cas « Universal Media Corporation » et/ou ses affiliés ne pourront être tenus responsables envers vous ou un tiers de tout dommage direct, indirect, accidentel, punitif, consécutif ou tout autre type de dommage, que la responsabilité soit faite sur la base d'un contrat, de la responsabilité civile, d'une violation de garantie, d'une responsabilité stricte ou autre et que Universal Media Corporation et/ou ses affiliés n'aient été ou non avisés de la possibilité de telles dommages.

### Information importante concernant l'utilisation des jeux vidéos, des ordinateurs, des légendes et d'autres affichages d'image fixe.

- L'utilisation prolongée du matériel d'émission d'image fixe peut causer une "image fantôme" permanente sur l'écran LCD (ceci étant désigné parfois inexactement "brûlure d'écran"). Cette image fantôme est alors visible de manière permanente sur l'écran d'arrière-plan. C'est un dommage irréversible. Il est possible d'éviter de tels dommages en suivant les instructions suivantes ci-dessous:
- Ramener le réglage de la luminosité ou du contraste à un niveau minimum de visibilité.
- Ne pas afficher l'image fixe pendant une longue période. Éviter l'affichage de:
  - » l'horaire du télétexte et les diagrammes,
  - » le menu de la TV ou du DVD, par exemple le contenu du DVD,
  - » En mode „Pause“ (maintien): Ne pas employer ce mode longtemps, par exemple tout en observant un DVD ou une vidéo.
  - » Arrêter s'il n'est pas utilisé.

### Batteries

- Observer la polarité correcte en insérant les batteries.
- Ne pas exposer les batteries aux températures élevées et ne pas les placer dans des endroits où la température pourrait augmenter rapidement, par exemple près d'un feu, ou directement à la lumière solaire.
- Ne pas exposer les batteries à la chaleur rayonnante excessive, ne pas les jeter au feu, ne pas les démonter et ne pas essayer de
- recharger les batteries non-rechargeables. Elles peuvent fuir ou exploser.



Cd

- » Ne jamais utiliser ensemble des batteries différentes ou mélanger les neuves et les usagées.
- » Se débarrasser des batteries d'une manière respectueuse de l'environnement.
- » La plupart des pays de l'Union Européenne règlent par la loi la mise au rebut des batteries.

### Mise au rebut

- Ne pas se débarrasser de la TV avec les déchets ménagers non triés. La renvoyer à un point de ramassage indiqué pour le recyclage WEEE (déchets d'équipements électriques et électroniques). Agir ainsi, aide à conserver les ressources et à protéger l'environnement. Entrer en contact avec le détaillant ou les autorités locales pour plus d'information.



### Déclaration CE:

- Par la présente, UMC Poland Sp. z o.o. déclare que cette TV LED est conforme aux principales exigences et autres clauses pertinentes de la directive RED 2014/53/EU. Le texte intégral de la déclaration de conformité de l'UE est disponible en cliquant sur le lien suivant : <https://www.sharpconsumer.eu/documents-of-conformity/>  
Cet équipement peut fonctionner dans tous les pays de l'UE. La fonction WLAN 5 GHz (Wi-Fi) de cet équipement ne peut être utilisée qu'en intérieur.  
Puissance de transmission Wi-Fi max. : 100mW à 2,412 GHz – 2,472 GHz; 5,150 GHz – 5,350 GHz; 5,470 GHz – 5,725 GHz

### Marques déposées

- Les termes HDMI et HDMI High-Definition Multimedia Interface et logo HDMI sont protégés par le droit d'auteur et sont la propriété de HDMI Licensing, LLC aux États-Unis et dans d'autres pays.
- Le logo « DIGITALEUROPE UHD Display » est une marque déposée de DIGITALEUROPE.
- Le logo DVB est la marque déposée de Digital Video Broadcasting - DVB - Project.
- Fabriqué sous licence de Dolby Laboratories. Dolby, Dolby Audio et le symbole double-D sont des marques déposées de Dolby Laboratories.
- Pour les brevets DTS, référez-vous à <http://patents.dts.com>. Fabriqué sous licence de DTS Licensing Limited. DTS, le sigle et l'association de DTS et du sigle sont des marques déposées. DTS Studio Sound est une marque déposée de DTS Inc. © DTS, Inc. Tous droits réservés.
- YouTube et le logo YouTube sont des marques déposées de Google Inc
- Le logo Wi-Fi CERTIFIED est une marque de certification de la Wi-Fi Alliance.
- Wi-Fi CERTIFIED Miracast et Miracast sont des marques déposées Wi-Fi Alliance.
- DLNA, le logo DLNA et DLNA CERTIFIED sont des marques déposées, marques de service ou des marques de certification de la Digital Living Network Alliance.
- Harman Kardon est une marque déposée de HARMAN International Industries, Incorporated, enregistrée aux États-Unis et/ou dans d'autres pays.

## Ce qui est inclus dans la boîte

### La fourniture de cette TV inclut les pièces suivantes:

- 1x TV
- 1x Paquet d'installation de support TV
- 1x Télécommande
- 1x Manuel d'utilisation
- 2x batterie AAA
- 1x kit de montage mural (4x vis M6x35 et 4x espaceur en plastique)

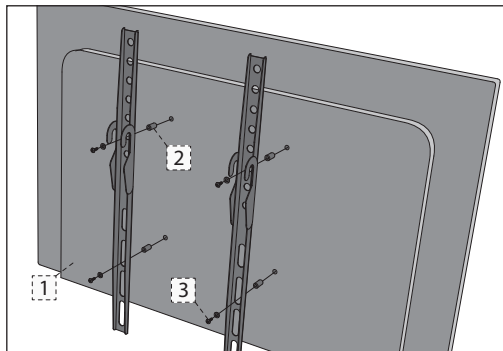
## Fixation du support

Suivre les instructions à la dernière page de ce manuel d'utilisation.

### Fixation murale de la TV

1. Retirez les quatre vis fournies des trous de montage mural
2. Vous pouvez maintenant facilement fixer le support mural sur les trous de montage à l'arrière de la TV.
3. Installez le support de montage mural sur la télévision, selon les instructions du fabricant du support.

Lorsque vous fixez les supports du montage mural sur un modèle 50" , au lieu des vis fournies dans les trous du montage mural TV, nous recommandons l'utilisation de vis et d'espacesurs plus longs inclus dans le pack d'accessoires. Veuillez placer des espacesurs dans les trous de montage du téléviseur, situés à l'arrière du téléviseur, puis placez les supports muraux sur ceux-ci. Fixez les supports et les espacesurs au téléviseur à l'aide de vis plus longues, comme illustré ci-dessous :



1. TV
2. ESPACEUR
3. VIS

**REMARQUE :** Le téléviseur et le type de support mural représenté sur le schéma sont uniquement à titre d'illustration.

## Pour commencer - mise en place initiale

1. En utilisant le câble RF, reliez la TV à la prise murale de l'antenne TV.
2. Pour raccorder à internet avec une connexion filaire, connectez un câble Ethernet/Cat 5 (non compris) entre votre TV et votre modem/routeur haut débit.
3. Connectez le cordon d'alimentation à l'arrière de la TV puis connectez-le à la prise électrique.
4. Insérer les batteries fournies dans la télécommande.

5. Appuyer ensuite sur le bouton "Standby" (Veille) pour mettre la TV sous tension.
6. Apparition de la vue Première installation. Si la vue n'apparaît pas, appuyer [ MENU ] sur la télécommande puis 8-8-8-8 et le menu apparaîtra. Pour modifier l'un de ces réglages par défaut, utiliser les boutons de défilement ▲/▼/◀/▶. Pour quitter le menu à tout moment, appuyer le bouton [EXIT].

7. Mettre en place les réglages souhaités dans la vue Première installation.

**ÉTAPE 1** - Réglage de la langue du menu TV.

**ÉTAPE 2** - Réglage de votre pays.

**ÉTAPE 3** - Réglage de la connexion réseau Si vous souhaitez sauter cette étape et connecter la TV au réseau plus tard, veuillez choisir Sauter l'étape de réglage du réseau.

**ÉTAPE 4** - Sélection de l'emplacement de la TV. Pour une utilisation domestique, veuillez sélectionner Mode Domicile. Pour le mode de démonstration en magasin, veuillez sélectionner Mode Magasin.

**ÉTAPE 5** - Choisissez si votre TV est équipée d'un support ou montée sur mur. La TV choisira les réglages audio optimaux pour l'option sélectionnée.

**ÉTAPE 6** - Choisissez la source en entrée que vous souhaitez utiliser. Si vous avez un câble RF raccordé directement à votre TV, choisissez DTV. Si vous avez une entrée satellite connectée à votre TV, choisissez DVB-S\*. Si vous utilisez un décodeur, veuillez sélectionner l'entrée TV à laquelle il est connecté.

8. Si vous avez sélectionné dans la dernière étape DTV ou DVB-S2, on vous demandera si vous souhaitez syntoniser les chaînes. Si vous choisissez « No » (Non), vous pouvez syntoniser les chaînes ultérieurement via le menu CONFIGURATION/CANAL. Si vous choisissez « Yes » (Oui), le menu de syntonisation apparaîtra.

**Syntonisation de la TV numérique :** Pour l'antenne DVB, veuillez choisir le type de signal en entrée. Terrestre ou câble. Puis choisissez Réglage auto et entrez vos paramètres préférés. Choisissez à nouveau Réglage auto pour démarrer la syntonisation des chaînes.

**Syntonisation satellite (DVB-S2) :** Choisissez Réglage auto et Satellite. Ce menu permet de choisir un satellite. Choisissez le satellite sur lequel vous souhaitez vous syntoniser en pressant la touche OK sur la télécommande. Puis retournez au menu précédent en pressant la touche RETOUR sur votre télécommande et en choisissant Réglage auto pour démarrer la syntonisation des chaînes.

**NOTES :** Pour accélérer la syntonisation des chaînes satellites, certains pays disposent d'une liste de chaînes pour le fournisseur satellite le plus populaire de cette région. Si c'est le cas pour votre pays sélectionné, on vous demandera si vous souhaitez charger la liste de chaînes préinstallée. Si vous choisissez « Yes » (Oui), la liste de chaînes satellite sera importée vers votre TV sous quelques secondes.

**CONSEIL :** Si des canaux sont manquants, cela provient vraisemblablement de la puissance du signal, il faudrait alors envisager de relier à un amplificateur de signal et syntoniser à nouveau la TV.

## Télécommande

1. **⏻ STANDBY (Veille)** – Allumer la TV quand elle se trouve en Veille ou vice versa.
2. **🔇 MUTE (Sourdine)** – Mettre le son en sourdine ou vice versa.
3. **0 – 9** – pour sélectionner directement les canaux TV.
4. **TV GUIDE (Guide TV)** – Ouvrir le guide hebdomadaire de la TV (Mode numérique).
5. **↶** – Pour retourner au canal précédemment regardé.
6. **PICTURE** – Parcourir les options du mode Image.
7. **VOL ▲/▼** – Pour augmenter/ diminuer le volume du son.
8. **CH ▲/▼** – Pour monter ou descendre dans la liste des canaux à observer.
9. **SOUND** – Parcourir les options du Mode Son.
10. **SOURCE** – Pour afficher le menu d'une entrée/source.
11. **MENU** – affiche le menu sur l'écran (Option OSD).
12. **EXIT (Sortie)** – Sortir de tous les menus.
13. **(▲/▼/◀/▶/OK)** – Permet de naviguer sur les menus de l'écran et d'ajuster les réglages du système selon l'option recherchée.
14. **BACK** – Retour au menu précédent.

15. **FAV** – Pour afficher les favoris du menu.
16. **INFO** – Presser une fois pour l'information actuelle/suivante du canal. Presser deux fois pour les informations de programme à propos du programme en cours.
17. **TEXT** – Mode télétexte - Pour afficher le télétexte
18. **SUBTITLE (Sous-titre)** – Pour commuter le dialogue au bas de l'écran (marche/arrêt).
19. **TV** – Commuter vers la source numérique de la TV.
20. **YouTube** – Affiche l'application Youtube.
21. **NETFLIX** – Affiche l'application NETFLIX
22. **NET+** – Affiche le menu AQUOS NET+.
23. **Rec1** – Enregistrement d'une vidéo personnelle (PVR)
24. **⏮** – Pour relancer le chapitre en cours
25. **⏭** – Pour avancer au prochain chapitre
26. **■** – Pour arrêter la lecture.
27. **Rec List1** – Ouvre la liste des enregistrements.
28. **⏮** – Pour actionner le mode de rebobinage rapide.
29. **⏭** – Pour actionner le mode d'avance rapide.
30. **⏸** – Lecture/pause
31. **BOUTONS DE COULEURS** – Télétexte additionnel et fonctions OSD.

<sup>1</sup> - disponible uniquement avec la fonction PVR

## Boutons\* TV

**VOL+** Volume vers le haut et menu de droite

**VOL-** Volume vers le bas et menu de gauche

**CH+** Programme/Canal vers le haut et menu vers le haut

**CH-** Programme/Canal vers le bas et menu vers le bas

**MENU** Affiche le Menu/OSD

**SOURCE** Affiche le menu de la source d'entrée

**STANDBY** Marche/Arrêt de la mise en veille

\* - **pour TV avec boutons**

## Stick\* de contrôle TV

Le stick de contrôle TV est situé près du coin inférieur gauche de la partie arrière de la TV. Vous pouvez l'utiliser à la place de la télécommande pour contrôler la plupart des fonctions de votre TV.

**Lorsque la TV est en mode veille :**

- pression brève du stick de contrôle - Mise en route

**Lorsque vous regardez la TV :**

- GAUCHE/DROITE – volume haut/bas
- HAUT/BAS – chaîne suivante/précédente
- pression brève - Affiche le menu
- pression longue - Mise en veille

**Dans le menu:**

- GAUCHE/DROITE/HAUT/BAS – navigation du curseur sur les menus à l'écran
- pression brève - OK/Con firmer l'élément sélectionné
- pression longue - Retour au menu précédent

\* - **pour TV avec levier de commande**

## Choix du mode Entrée/Source d'entrée

Pour commuter entre les différentes entrées/connexions.

**a) En utilisant les boutons de la télécommande:**

1. Presser [SOURCE/☐] - Le menu de la source apparaît.
2. Presser [◀] ou [▶] pour sélectionner l'entrée recherchée.
3. Presser [OK].

**b1) En utilisant les boutons\* de la Télévision :**

1. Presser [SOURCE].
2. Défiler vers le haut / bas en utilisant les boutons VOL+/VOL- à la recherche de l'entrée/source désirée.

3. Presser [SOURCE] pour changer l'entrée/source vers celle sélectionnée.

**b2) Utilisation du stick\* de contrôle TV :**

1. Pressez brièvement le stick de contrôle pour entrer dans le menu.
2. Pressez le stick de contrôle vers le bas et naviguez vers le menu SOURCES.
3. Pressez brièvement le stick de contrôle pour entrer le menu SOURCES.
4. Avec le stick de contrôle, choisissez l'entrée ou la source requise.
5. Avec une pression brève du stick de contrôle, vous changerez l'entrée ou la source tel que désiré.

\* - **facultatif**

## Connexions

Voir le tableau des types de connecteur pour les différents modèles disponibles à la page 68.

 **USB**  
USB 2.0-Entrée 1, 2; USB 3.0-Entrée 3

 **HDMI entrée 1, 2 (ARC), 3**  
HDMI2.0-Entrée 1, 2, 3


 **Lecteur de carte SD**  
Carte SD-Entrée


 **Distance/Local - Vidéo et entrée audio YPbPr**  
Composant / Entrée audio vidéo


 **Vidéo (CVBS)**  
Entrée VIDÉO


 **Component/YPbPr**  
Entrée HD du composant

 **PERITEL**  
PERITEL-Entrée

 **ENTRÉE carte CI**  
Entrée CI

 **Entrée RF**  
Entrée antenne RF / TV

 **Entrée satellite**  
Entrée satellite

 **Sortie audio numérique optique**  
Sortie numérique optique

 **RJ 45**  
Ethernet

 **CASQUE D'ÉCOUTE**  
Sortie 3.5mm du casque d'écoute

 **D-link**  
entrée de service uniquement

## Navigation du menu TV

Presser le bouton [MENU] de la télécommande pour accéder au menu. Presser [OK] pour entrer un menu. Pour modifier l'un de ces réglages par défaut, utiliser les boutons de défilement (▲/▼/◀/▶). Presser le bouton [OK] pour confirmer les réglages. Pour quitter le menu à tout moment, presser le bouton [EXIT] (Sortie).

## Netflix

Plus grand réseau de télévision internet au monde Il offre des milliers de films et de séries TV, y compris des séries originales, des documentaires et des longs métrages. Les membres peuvent lancer une lecture, la mettre en pause et reprendre la lecture, sans publicités ou engagements. Vous pouvez vous connecter à cette application avec votre compte Netflix existant. Si vous n'avez pas encore de compte Netflix, vous pouvez vous enregistrer via cette app ou via le site web officiel Netflix.

## YouTube

App de partage vidéo vous permettant de découvrir et de regarder des vidéos originales.

**NOTE:** Pour que l'application Youtube fonctionne, vous devez régler l'heure et la date correctes dans votre TV. Pour plus d'informations sur comment régler l'heure et la date de votre TV, veuillez vous référer au chapitre HEURE de ce guide d'utilisation. Veuillez vous assurer que votre réseau ne bloque pas l'accès à Youtube et que la vitesse de votre connexion internet est suffisante pour visualiser du contenu Youtube.

## Plus d'apps

Contient les apps les plus couramment utilisées pour un accès facile et rapide.

**AQUOS NET+** - Ouvre le portail Sharp SMART.

**Weather** - App de prédiction météo AccuWeather.

**Navigateur** - Application permettant d'accéder à internet. Navigation dans le navigateur:

- **CH+** - défilement de la page vers le haut
- **CH-** - défilement de la page vers le bas
- **Bouton rouge** - affiche/cache la barre de menu du navigateur
- **Bouton jaune** - Zoom avant
- **Bouton bleu** - Zoom arrière

## Sources

À partir de ce menu, vous pouvez changer votre signal d'entrée TV entre différents appareils source connectés.

## Média

**USB** - Le mode multimédia permet la lecture du contenu

sauvegardé sur une clé USB. Le contenu sera divisé en différents types de fichier: Photo, Musique et Film.

L'option fichier s'affichera et vous permettra de lire tous les fichiers supportés.

1. Vous pouvez naviger à travers le menu en utilisant les boutons ▲/▼/◀/▶. Pour confirmer le fichier que vous souhaitez lire/visualiser, pressez le bouton [OK].
2. Durant la lecture de contenu, vous pouvez contrôler les modes de lecture en utilisant les boutons de la télécommande ou en ouvrant le menu de navigation de lecture et en sélectionnant les boutons ▲/▼/◀/▶ et [OK] à l'écran.

**NOTE:** Les câbles de prolongation USB ne sont pas recommandés car ils peuvent causer une réduction de la qualité de l'image/ audio et des interruptions pendant la lecture du contenu USB.

**Miracast\*** - Vous permet de lire le contenu de votre smartphone ou de votre tablette sur votre écran TV. La connexion sans fil est établie via Wi-Fi Direct, un accès au réseau Wi-Fi n'est donc pas requis. Vous pouvez partager du contenu depuis votre smartphone ou tablette fonctionnant sous Android 4.4 ou plus récent.

**Serveur multimédia** - Recherche automatiquement un serveur multimédia numérique (DMS) connecté à votre réseau domestique et active la lecture du contenu stocké sur le serveur multimédia.

\* - Cette fonction n'est disponible que sur certains smartphones et ordinateurs portables.

## Image

**Mode Image** - Choisir les préreglages suivants.

- **Standard** - Réglages par défaut
- **Vidéo** - Couleurs plus claires et moins de luminosité
- **Personnel** - Permet de modifier manuellement tous les réglages.
- **Eco** - Consommer 15% de moins d'énergie.
- **Dynamique** - Réglages recommandés pour les images à déplacement rapide.

**Contraste** - Commuter l'équilibre entre noir et le blanc.

**Luminosité** - Augmenter ou diminuer la luminosité de l'image.

**Couleur** - Augmente la couleur du noir et du blanc.

**Netteté** - Augmente ou diminue la netteté de l'image.

**Température de la couleur** - Choisir parmi les préreglages suivants.

- **Normale** - Réglages par défauts.
- **Chaude** - Augmente le rouge dans l'image.
- **Froide** - Augmente le bleu dans l'image.

**Ratio d'aspect** - Le format de l'image varie en fonction du canal/de la radiodiffusion. Il y a un certain nombre de différentes options pour mieux satisfaire vos besoins.

- **Auto** - Affiche automatiquement le meilleur format d'image. Ainsi l'image est en position correcte. Il peut y avoir des lignes noires au haut/bas et/ou aux côtés.
- **4:3** - Montre l'image 4:3 dans son format original. Des barres latérales sont affichées pour remplir l'écran 16:9.
- **16:9** - Remplit l'écran avec un signal régulier de 16:9.
- **Zoom 1/2** - L'image est dans la proportion correcte mais "zoomée avant" pour remplir l'écran.
- **Point par Point (HDMI)** - Montrera l'image dans sa résolution originale sans aucun changement.
- **Plein écran** - Étire le signal pour emplir l'écran.

**Réglages expert**

- **Réduction du bruit** - Filtre et réduit le bruit (interférences) à l'écran
- **Contraste actif** - Optimise automatiquement le rétroéclairage et le contraste de l'image selon la luminosité de l'écran.
- **Rétroéclairage** - Ajuste la luminosité de l'écran en diminuant/augmentant le rétroéclairage du panneau.
- **Gamma** - Ajuste le ton entre les parties claires et sombres de l'image.
- **Rouge** - Ajuste le ton rouge de l'image.
- **Vert** - Ajuste le ton vert de l'image.
- **Bleu** - Ajuste le ton bleu de l'image.

## Son

**Mode Audio** - Choisir parmi les préreglages suivants.

- **Standard** - Réglages par défaut
- **Musique** - Met la musique en valeur au-dessus des voix
- **Vidéo** - Fournit le son plein en direct pour les films.
- **Personnel** - Sélectionne les réglages son personnalisés.
- **Sports** - Met le son en valeur pour le sport

**Égalisateur** - Ajuste le volume des différentes fréquences sonores.

Les niveaux sonores de l'égalisateur peuvent être uniquement ajustés lorsque le mode 'Personnel' est sélectionné.

**Casque**

- **HP+TV** - option pour entendre du son depuis les enceintes TV et le casque simultanément.
- **Volume** - ajuste le volume du casque.

**Équilibrage** - Pour commuter le son entre les haut-parleurs de gauche et de droite.

**Volume auto** - Quand 'on' (activé) est sélectionné, le volume sonore se maintient à un niveau constant indépendamment de l'entrée/source.

**DTS TruSurround** - Active ou Désactive l'effet sonore.



**Sortie Numérique** - C'est la sortie audio numérique. Choisissez les options suivantes:

- **Désactivée** - Désactivée
- **Auto** - Sélectionne automatiquement les meilleurs réglages
- **PCM** - Choisir cette option pour connecter un stéréo haute fidélité par l'intermédiaire d'un câble numérique (la modulation par impulsion et codage (PCM) est une représentation numérique d'un signal analogique).

**Description Audio** - Piste sonore additionnelle pour déficient visuel. Disponible uniquement pour les émissions de TV numérique.

**Volume DA (Volume sonore de la Description Audio)** - pour ajuster le volume de la piste sonore de la Description Audio.

**Voie audio** - vous permet de choisir différentes sources audio/langues pour les sources le permettant (disques ou TV numérique).

**Décalage audio (ms)** - Permet à l'utilisateur d'ajuster le réglage sonore pour synchroniser l'image et l'audio pour les haut-parleurs de la TV.

**Décalage SPDIF (ms)** - Permet à l'utilisateur d'ajuster le réglage sonore pour synchroniser l'image et l'audio pour les haut-parleurs externes reliés par l'intermédiaire d'une sortie audio numérique.

## CONFIGURATION

### Canal

**Antenne DVB** - Mettre en place le type de signal de TV numérique

- **Terrestre** - Terrestre (DVB-T)
- **Câble** - Câble (DVB-C)

**Réglage auto** - Permet de syntoniser à nouveau la télévision pour tous les canaux numériques, les stations radio numériques et les canaux analogiques.

**Réglage manuel ATV** - Permet de syntoniser manuellement le signal analogique.

**Réglage manuel DTV** - Permet de syntoniser manuellement le signal numérique.

**Modification de programme** - Permet de supprimer, sauter et ajouter des canaux favoris.

- **Touche rouge** - supprime la chaîne sélectionnée.
- **Touche jaune** - déplace la chaîne sélectionnée. Déplacez le curseur vers la chaîne que vous souhaitez déplacer vers une autre position puis pressez la touche JAUNE. Déplacez maintenant la chaîne sélectionnée avec la flèche haut/bas en position désirée puis pressez la touche JAUNE à nouveau pour confirmer sa nouvelle position dans la liste de chaînes.
- **Touche bleue** - sauter la chaîne sélectionnée. Les chaînes sélectionnées ne seront pas affichées lorsque vous pressez les touches CH+ ou CH-.

**Information sur le signal** - Information à propos du signal DVB (Diffusion vidéo numérique).

**Informations CI** - (Information sur l'interface commune) les services de paiement à la séance nécessitent une "carte à puce" à insérer dans la TV. Pour souscrire à un service de paiement à la séance le fournisseur délivrera un "CAM" (module d'accès conditionnel) et une "carte à puce". Le CAM peut alors être inséré dans le COMMON INTERFACE PORT (Port de l'interface commune).

**Tri par LCN** - Placer LCN sur ON (Marche) pour disposer les canaux par préférences de fournisseurs (s'applique seulement aux canaux DVB-T et DVB-C).

**Mise à jour automatique des chaînes** - Si vous réglez cette option sur ON, les positions, noms et fréquences des chaînes seront mis à jour régulièrement par le fournisseur. Cela peut entraîner des problèmes si vous avez organisé la liste de chaînes vous-même. Dans ce cas, nous vous recommandons de laisser cette option désactivée.

**Liste enregistrée\*** - Liste des séances TV enregistrées.

**Calendrier** - Énumère les rappels de programme.

**Installation de la parabole** - Ce menu est seulement disponible en mode DVB-S2. Il est possible de choisir le type du satellite, du transpondeur et le type de LNB (Bloc convertisseur à faible bruit), etc...

**OAD (Mise à jour logicielle)** - Active/désactive le OAD (téléchargement en direct) de mises à jour logicielles.

\* - *seulement pour des périphériques avec la fonction PVR intégrée*

### Réseau

**Configuration du réseau** - Vous devrez dans un premier temps sélectionner le type de connexion. Vous pouvez choisir entre une connexion Wi-Fi ou filaire (câble).

**NOTES** : Pour raccorder à internet avec une connexion filaire, connectez un câble Ethernet/Cat 5 (non compris) entre votre TV et votre modem/routeur haut débit.

**Configuration IP** - réglages de la connexion au réseau LAN

- **Auto** - Configurer automatiquement la TV à votre réseau domestique (paramètre par défaut et hautement recommandé)
- **Manuelle** - Vous permet de changer les informations d'IP, de Netmask, de Gateway et de DNS.

**Configuration Wi-Fi** - réglages de la connexion au réseau sans fil

- **Recherche automatique Wi-Fi** - Recherche automatiquement tous les réseaux sans fil disponibles. Sélectionnez le réseau Wi-Fi désiré puis entrez le mot de passe réseau (si le réseau est protégé par un mot de passe). Une fois le mot de passe accepté, vous n'aurez plus à l'entrer à nouveau.

**NOTES** : Le processus de connexion peut prendre quelques minutes, veuillez être patient. Chaque fois que la TV est mise en route, elle se connectera automatiquement au réseau, ceci pouvant aussi prendre quelques instants.

**Infos Réseau** - Informations sur les réglages réseau

**Test du réseau** - Un test de connexion au réseau.

### Heure

**Synchronisation automatique** - Ajuste automatiquement la date et l'heure de la télévision. La télévision doit être synchronisée à un signal numérique et/ou à une connexion internet. Désactivez la « Synchronisation automatique » manuellement pour ajuster les réglages d'heure et de date. Si la « Synchronisation automatique » est désactivée et si l'heure et la date sont réglées manuellement, ces paramètres seront réinitialisés lorsque l'alimentation de la TV est coupée.

**Horloge** - Indique la date et l'heure. Peut être ajustée lorsque la « Synchronisation automatique » est désactivée.

**Heure d'arrêt (Heure de mise hors tension)** - Permet de définir une heure spécifique à laquelle la TV s'éteindra.

**Heure d'allumage (Heure de mise en service)** - Permet de définir une heure spécifique à laquelle la TV s'allumera, le canal s'affichera, la source et le volume s'établiront. Cette fonction peut alors être à bascule pour répéter chaque jour ou un certain jour.

**Minuterie Veille** - Permet de régler la minuterie d'arrêt pour hibernation de sorte que la TV s'éteigne après un laps de temps. Éteint -> 10min -> 20min -> 30min -> 60min -> 90min -> 120min -> 180min -> 240min.

**OSD Minuteur** - Permet d'ajuster la quantité de temps pendant lequel l'affichage est présent sur l'écran avant de disparaître.

**Veille automatique** - Ajustement de la mise en veille automatique par incréments horaires : Éteint -> 3h -> 4h -> 5h.

**Fuseau horaire** - Change le fuseau horaire en cours.

### Verrouillage

**Verrouiller système** - Permet de verrouiller ou déverrouiller le menu. Il sera demandé d'entrer un mot de passe de 4 chiffres. Utiliser le bouton ◀ pour quitter l'entrée du mot de passe. Utiliser le bouton ▶ pour effacer. Le mot de passe par défaut est 0000.

**Définir mot de passe** - Changer le mot de passe par défaut.

**Bloquer programme** - Verrouiller les canaux TV spécifiques.

**Accord parental** - Verrouiller les canaux TV en fonction de la restriction fondée sur l'âge.

**Blocage des touches** - Vous permet de verrouiller le stick de contrôle de la face arrière de votre téléviseur.

**Blocage de la source** - Vous permet de cacher les sources sélectionnées du menu de source.

**Mode d'hôtel** - Réglages avancés pour les hôtels.

### PARAMÈTRES

**Langue** - Permet de changer la langue du menu.

**Langues audio** - Permet de changer la langue audio sur les canaux sélectionnés.

**Langue des sous-titres** - Permet de changer les langues des sous-titres des canaux DVB sélectionnés.

**Sous-titrage malentendants** - Si le signal fournit une aide pour les malentendants, les sous-titres peuvent être lus en pressant "Subtitle". Si "Hearing Impaired" est activé (ON) et que le canal sélectionné assiste les malentendants, les sous-titres seront automatiquement activés.

**Écran bleu** - Change le fond d'écran quand il n'y a aucune entrée entre un fond clair et un fond bleu (seulement disponible sur quelques sources).

**Système de fichiers PVR** - Options d'enregistrement des vidéos personnelles\*

- **Sélection du disque** - Sélectionner un port USB port et une partition de disque.
- **Importance du décalage de temps (Grandeur du décalage)** - Régler le temps du tampon de décalage.
- **Formatage** - Il est possible de formater le périphérique de stockage USB connecté au système de fichiers FAT 32.

**AVERTISSEMENT : TOUTES LES DONNÉES SUR LE PÉRIPHÉRIQUE USB SERONT SUPPRIMÉES**

- **Vitesse (Vérification de la vitesse)** - Teste la vitesse d'écriture des périphériques de stockage USB connectés.

\* - **seulement pour des périphériques avec la fonction PVR intégrée**

**Première installation** - Lance l'installation pour la première fois.

**Mise à jour du logiciel (USB)** - De temps en temps de nouveaux progiciels peuvent être proposés pour améliorer le fonctionnement de la télévision (disponibles pour téléchargement). Ce menu permet d'installer le nouveau logiciel/progiciel sur la télévision. D'autres détails sur la manière de procéder seront publiés avec les progiciels. Entrer en contact avec la ligne d'assistance téléphonique ou se référer au site web 'www.sharp.eu/av'.

**Mise à jour logicielle (NET)** - Permet la mise à jour en ligne du logiciel de votre TV. Cette fonction cherchera de nouvelles mises à jour logicielles et les appliquera lorsque nécessaire.

**NOTES** : La TV recherchera automatiquement de nouvelles mises à jour logicielles durant chaque mise en route. Si un nouveau logiciel est détecté, la TV vous demandera si vous souhaitez le télécharger et l'installer. Si vous sélectionnez « OUI », la TV sera mise à jour avec la dernière version.

**AVERTISSEMENT** : N'éteignez pas la TV lorsque la mise en jour est en cours !

**Réinitialiser la TV** - Ceci ramène les menus aux réglages établis par l'usine.

**HDMI CEC\* (HDMI version grand public)** - Permet d'utiliser des périphériques reliés par HDMI avec la télécommande de la TV.

- **Liste des périphériques\*** - Permet d'accéder au menu des périphériques et d'activer le menu en utilisant la télécommande de la TV.
- **HDMI CEC** - Active/désactive la fonction HDMI CEC.
- **Veille automatique\*** - Active/désactive automatiquement les périphériques connectés via HDMI CEC.
- **HDMI ARC\* (HDMI avec fonction de retour de son)** - Envoi un signal audio de diffusion terrestre/satellitaire par l'intermédiaire de HDMI au récepteur AV sans employer de câble audio additionnel, cette fonction est disponible seulement sur la sortie HDMI 2.

\* - **HDMI CEC doit être supportée par le périphérique connecté.**

**HDMI EDID** - transmet les fonctions du téléviseur

(résolution, support audio, etc.) directement aux appareils connectés via HDMI. Ceci vous permet de changer le mode d'entrée HDMI sélectionné entre HDMI1 et HDMI2.0.

- **Standard** - recommandé sur une télévision connectée à un appareil à sortie HDMI 1.4 ou inférieure, par exemple un lecteur Blu-Ray Full HD, un lecteur DVD ou une console de jeu.
- **Augmentation** - recommandé sur une télévision connectée à un appareil à sortie HDMI 2.0, par exemple un lecteur Blu-Ray 4K ou un PC moderne.

**Statut de la LED** - Permet à l'utilisateur de commuter sur ON

(Marche) ou OFF (Arrêt) le voyant LED (Diode électroluminescente)

de mise sous tension, quand la TV est en service. (Quand cette option est placée sur OFF le voyant LED de mise sous tension clignote lorsque la télécommande est utilisée).

**HbbTV** - Permet à l'utilisateur d'activer ou désactiver HbbTV.

Pour utiliser HbbTV, la TV doit être connectée à internet

et la chaîne regardée doit être compatible HbbTV.

**Infos version** - montre la version du logiciel de la TV.

**Édition de source** - Ceci permet à l'utilisateur de renommer manuellement les entrées de votre liste d'entrées. Vous pouvez par exemple renommer les entrées pour mieux reconnaître les appareils connectés.

## AQUOS NET+

AQUOS NET+ vous offre l'opportunité d'apprécier une large gamme d'application ou de surfer sur internet via votre TV AQUOS LCD. Pour accéder à tout moment au Menu AQUOS NET+, pressez le bouton NET+ de la télécommande ou sélectionnez-le depuis le menu Plus d'apps.

**NOTES** : Veuillez attendre que la TV se connecte au réseau Wi-Fi. Ceci peut prendre quelques instants après la mise en route de la TV.

Naviguez le menu en utilisant les boutons ▲/▼/◀/▶. Pour confirmer le fichier que vous souhaitez lire/visualiser, pressez le bouton [OK]. Pour revenir en arrière d'une étape, pressez le bouton [Menu], et pour accéder aux fonctions additionnelles utilisez les boutons colorés.

Pour quitter AQUOS NET+, pressez le bouton [SORTIE].  
**Accueil** - Écran d'accueil présentant des recommandations de film et les applications récemment ouvertes.

**Toutes les apps** - Ouvre une liste d'apps disponibles.

**Films** - Ouvre une liste de films disponibles.

**Émission TV** - Ouvre une liste de séries télévisées disponibles.

**Musique** - Ouvre une liste de vidéoclips et de morceaux de musique disponibles.

**Jeux** - Liste de jeux et d'applications liées aux jeux.

**Sport** - Liste d'applications liées au sport.

**News** - Liste d'applications d'actualités.

**Recherche** - recherchez une app en entrant son nom ou une partie de son nom.

**Favoris** - En ajoutant des apps à la liste «Favoris», vous pourrez facilement accéder à vos apps préférées. Pour ajouter une app à la liste, il suffit de surligner une app et de presser le bouton vert. Cette app apparaîtra alors dans votre liste «Favoris». Pour enlever une app non désirée de la liste «Favoris», vous devez surligner l'app que vous souhaitez supprimer et presser la touche VERTE.

**Paramètres** - Dans le menu de réglages, vous pouvez changer la langue du portail Aquos NET+, régler un filtre pour des applications spécifiques à la langue sélectionnée et réinitialiser tous les réglages utilisateurs aux paramètres par défaut.

**RÉINITIALISATION DES RÉGLAGES UTILISATEUR** : Si vous souhaitez complètement réinitialiser les réglages utilisateur de AQUOS NET+, vous devez dans un premier temps entrer le menu Paramètres et sélectionner «Réinitialiser portail». Veuillez sélectionner OUI (Yes) avec le curseur et presser OK sur la télécommande pour confirmer la réinitialisation de vos paramètres.

**NOTES** : Pour répondre aux demandes de nos clients, nous améliorerons nos produits. De par ces efforts continus, de nouvelles applications seront ajoutées régulièrement à AQUOS NET+. Les applications et le contenu d'AQUOS NET+ peuvent être modifiés sans préavis. Certaines de ces fonctions et une partie de ce contenu peuvent ne pas être disponibles dans votre pays.

## Guide TV hebdomadaire

Le guide TV est disponible dans le mode TV numérique. Il fournit des informations au sujet des programmes à venir (où supportés par le canal numérique). Il est possible de voir le temps de début et de fin de tous les programmes et sur tous les canaux pour les 7 prochains jours et de mettre en place des rappels.

1. Presser [TV GUIDE] (Guide TV). Le Guide TV hebdomadaire suivant apparaîtra.

2. Naviguer dans le menu en utilisant ▲/▼/◀/▶.

**Il est possible maintenant de:**

Enregistrer le canal TV sélectionné et l'émission TV en pressant le bouton ROUGE.\*

Placer un rappel en pressant VERT.

Regarder le jour précédent en pressant JAUNE.

Regarder le jour suivant en pressant BLEU.

[INFO] montre l'information détaillée se rapportant au poste sélectionné

3. Presser [EXIT] pour quitter le Guide TV hebdomadaire.

\* - **seulement pour les modèles avec la fonction d'enregistrement**

## Enregistrement USB - Mode numérique\*

Intégré dans cette télévision est un service d'enregistrement USB. Cette fonction est disponible dans le mode numérique si elle est utilisée en conjonction avec une clé mémoire USB compatible ou un disque dur USB. Les avantages de ceci sont comme suit:

- Pause d'une émission TV en direct et puis lecture, avance et rebobinage rapides (jusqu'à la TV en direct).
- Un enregistrement par bouton s'il est décidé d'enregistrer le programme en cours.

Enregistrement facilement programmable du guide TV hebdomadaire En raison de la nature du produit, il est nécessaire d'utiliser une clé mémoire USB à grande vitesse (car la TV lit et écrit sur la clé de mémoire en même temps, des clés de mémoire quelconque peuvent ne pas convenir).

Spécification minimum - Clé mémoire USB

- **Vitesse de lecture** - 20 Mo/s (Méga-octet par Seconde)
- **Vitesse d'écriture** - 6 Mo/s (Méga-octet par Seconde)

### Pause d'une émission TV en direct (Décalage)\*

La mise en pause d'une émission TV en direct est très simple.

- Appuyer sur le bouton Play/Pause (Lecture/Pause) et la télévision fera une pause et le contenu du direct sera enregistré. Pour reprendre l'écoute de la TV, presser une fois encore le bouton Play/Pause.
- Presser Fast forward (Avance rapide) pour avancer dans un enregistrement (par exemple, sauter des annonces).
- Presser Fast rewind (Rebobinage) rapide pour remonter dans un enregistrement (c.-à-d. si l'avance dans l'enregistrement est allé trop loin).

**CONSEIL :** Quand la TV est commutée sur veille, ou que le canal est changé, la mémoire du décalage est effacée. Pour remettre en marche le décalage il faut presser le bouton de Play/Pause.

### Enregistrement par un bouton

À un moment quelconque dans le temps, il est possible de décider d'enregistrer le canal en cours qui est regardé. Pour faire cela, il est nécessaire de presser le bouton [REC].

**CONSEIL :** Cette télévision contient un syntoniseur de TV, donc elle peut seulement enregistrer le canal en observation ou enregistrer un canal tandis que la télévision est en mode veille.

**NOTE :** La fonction enregistrement de l'USB est seulement disponible

dans le mode TV numérique. En raison des lois de copyright et de l'illégalité de la copie/enregistrement, il n'est pas possible d'enregistrer vers/depuis aucune autre source d'entrée-sortie.

\* - seulement pour des périphériques avec la fonction PVR intégrée

## HDR (High Dynamic Range ou Plage dynamique élevée)

La vidéo HDR supprime certaines limitations d'un signal vidéo standard et affiche l'image à partir d'une gamme plus large de couleurs et de luminosité.

**REMARQUES :**

- La fonction HDR s'activera automatiquement si un signal HDR est détecté, à condition que HDMI EDID ait été réglé sur « Augmentation » dans le menu « PARAMÈTRES ».
- Ce téléviseur peut afficher le contenu HDR via les entrées HDMI ou USB.
- Si vous vous connectez via l'un des ports HDMI, le périphérique externe doit également prendre en charge HDR, HDMI2.0 et lire du contenu HDR masterisé.
- Cet appareil ne prend pas en charge le contenu HDR provenant d'applications intégrées telles que Netflix ou YouTube.

## Fiche de produit

Marque déposée:	
Modèle :	LC-50UJ7222E LC-50UJ7322E LC-50UJ7422E
Classe de rendement énergétique :	A+
Dimension de l'écran visible (diagonale):	50" / 127cm
Consommation d'énergie en marche:	70,0 W
Consommation moyenne en énergie*:	102 kWh
Puissance consommée en mode veille**:	<0,50 W
Puissance consommée en mode Arrêt :	N/A
Résolution de l'écran :	3840 (H) x 2160 (V)

\* - Consommation d'énergie XYZ kWh par an, en fonction de la puissance consommée par la télévision en activité 4 heures par jour pendant 365 jours. La consommation d'énergie réelle dépendra de la façon dont la télévision est utilisée.

\*\* - quand la TV est arrêtée avec la télécommande avec aucune fonction en activité

## Importanti istruzioni di sicurezza



**Vi preghiamo di leggere queste istruzioni di sicurezza e di rispettare le seguenti avvertenze prima di mettere in funzione l'apparecchio:**

**Per evitare incendi, tenete sempre lontane dall'apparecchio candele e qualunque altro tipo di fiamma.**



- Cercate di evitare danni al cavo o all'adattatore principali. L'apparecchio può essere collegato solamente con il cavo/adattatore principale fornito.
  - I temporali sono pericolosi per gli apparecchi elettronici. Se i cavi della rete elettrica o l'antenna vengono colpiti da un fulmine, l'apparecchio potrebbe risultarne danneggiato, anche se spento. È opportuno scollegare tutti i cavi e i connettori dell'apparecchio prima di un temporale.
  - per pulire lo schermo dell'apparecchio usate solo un panno morbido e umido. Usate solo dell'acqua, non usate mai detersivi, e in nessun caso solventi.
  - Posizionate il televisore vicino al muro per evitare che cada se viene urtato.
  - **AVVERTENZA** - non collocare in nessun caso un televisore in una posizione instabile. Il televisore potrebbe cadere, provocando gravi danni alle persone o la morte. Molti danni, in particolare ai bambini, possono essere evitati prendendo semplici precauzioni come:
    - Usare i cabinetti o i supporti raccomandati dal produttore del televisore.
    - Usare esclusivamente mobili capaci di sostenere in modo sicuro il televisore.
    - Assicurarsi che il televisore non penda dal bordo del mobile di supporto.
    - Non collocare il televisore su mobili troppo alti (per esempio, armadi o librerie) senza ancorare il mobile e il televisore a un supporto adeguato.
    - Non collocare il televisore su panni o altri materiali collocati tra il televisore e il mobile di supporto.
  - Istruire i bambini sui pericoli derivanti dall'appendersi ai mobili per raggiungere il televisore o i relativi controlli.
  - Assicurarsi che i bambini non si arrampichino o si appendano alla TV.
  - Se il televisore attuale viene conservato o ricollocato, applicare le precedenti istruzioni.
  - Le istruzioni mostrate qui di seguito servono per installare in maniera più sicura il televisore fissandolo al muro, così da evitare che possa cadere in avanti e causi danni a cose e persone.
  - Per questo tipo di installazione avete bisogno di un cavo di fissaggio.
    - A) Usando uno o entrambe le fori superiori di montaggio a muro e le viti (le viti sono già fornite nei fori di montaggio a muro), fissate un'estremità al cavo o ai cavi di fissaggio al televisore.
    - B) Agganciate l'altra estremità del cavo o dei cavi di fissaggio alla parete.
  - Il software sul televisore e il layout OSD possono essere modificati senza preavviso.
  - Nota: in caso di scarica elettrostatica (ESD) l'apparecchio potrebbe non funzionare correttamente. In tali casi, spegnere e riaccendere il televisore. Il televisore funzionerà normalmente.
- ### Avvertenza:
- Non usare la TV subito dopo l'apertura dell'imballaggio. Attendere che la TV si riscaldi fino a temperatura ambiente prima di usarla.
  - Non collegate mai apparecchi esterni a un apparecchio acceso. Spegnete non solo il televisore, ma anche gli apparecchi che sono collegati! Inserite la spina del televisore nella presa a muro dopo aver collegato gli apparecchi esterni e l'antenna!
  - Assicuratevi sempre che ci sia libero accesso alla spina principale del televisore.
  - L'apparecchio non è stato progettato per un utilizzo in un luogo di lavoro attrezzato con monitor.
  - L'uso sistematico di cuffie ad alto volume può portare a danni irreversibili all'udito.
  - Assicuratevi che questo apparecchio venga smaltito correttamente in ogni sua parte, comprese le batterie. Se avete qualche dubbio, contattate l'autorità locale per i dettagli riguardo il riciclaggio.
  - Mentre installate l'apparecchio, non dimenticate che le superfici dei mobili vengono trattate con diverse vernici, materie plastiche ecc, o potrebbero essere lucidate. I componenti chimici contenuti in questi prodotti potrebbero fare reazione con il supporto del televisore. Ne potrebbe risultare che dei pezzetti di materiale si attacchino alla superficie del mobile rendendo difficile, se non impossibile, la loro rimozione.
  - Lo schermo del vostro televisore è stato prodotto con parametri di altissima qualità ed è stato controllato più volte nel dettaglio per evitare che restino pixel difettati. A causa delle proprietà tecnologiche del
- I set di televisori con schermi da 43" o superiori devono essere sollevati e trasportati da almeno due persone.
  - Questo televisore non ha componenti che possano essere riparate dall'utente. In caso di difetto, contattate il produttore o l'agente di servizio autorizzato. Il contatto con alcune parti interne del televisore potrebbe mettervi in pericolo di vita. La garanzia non copre difetti causati da riparazioni effettuate da terze parti non autorizzate.
  - Non rimuovete la parte posteriore dell'apparecchio.
  - Questo apparecchio è stato disegnato per la ricezione e la riproduzione di segnali audio e video. Qualunque altro utilizzo è severamente vietato.
  - Per disconnettere la TV dalla presa, scollegare la spina dallo zoccolo della presa.
  - Se il cavo di alimentazione è rovinato, deve essere sostituito dal produttore, da un agente di servizio o da persone similmente qualificate, in modo da evitare pericoli.
  - La distanza ideale per guardare la TV è di circa cinque volte maggiore della diagonale dello schermo. Altre fonti di luce che si riflettono sullo schermo possono peggiorare la qualità dell'immagine.
  - Assicuratevi che il televisore sia collocato in un posto sufficientemente ventilato e che non sia vicino ad altri apparecchi o mobilia.
  - Assicurare una distanza minima di 5 cm attorno all'apparecchio per una ventilazione sufficiente.
  - Assicuratevi che le aperture per la ventilazione siano sgombrere da oggetti come giornali, tovagli, tendaggi ecc.
  - Il televisore è stato progettato per l'utilizzo in un clima temperato.
  - Non mettete il televisore in condizioni da ricevere schizzi o gocce d'acqua.
  - Il televisore è stato progettato per funzionare esclusivamente in un ambiente asciutto. Quando usate il televisore all'aperto, assicuratevi che sia protetto dall'umidità (pioggia, acqua). Non esponetelo mai all'umidità.
  - Non collocare oggetti, contenitori con liquidi, come vasi, ecc. sulla TV. Potrebbero essere accidentalmente urtati, minando così la sicurezza elettrica. Posizionate il televisore solamente su superfici piatte e stabili. Non mettete alcun oggetto, come giornali o coperte, sopra o sotto il televisore.
  - Assicuratevi che l'apparecchio non poggi su cavi elettrici, perché questi potrebbero rovinarsi. Telefoni cellulari e altri apparecchi, come adattatori WLAN, telecamere di sorveglianza con trasmissione di segnale wireless ecc. potrebbero causare interferenze elettromagnetiche e non dovrebbero quindi essere posizionati vicino all'apparecchio.
  - Non mettete l'apparecchio vicino a termosifoni o in posti con la luce diretta del sole: questo potrebbe avere un effetto negativo sul raffreddamento dell'apparecchio. L'accumulo di calore è pericoloso e può seriamente ridurre la durata di vita dell'apparecchio. Per garantire la sicurezza, chiedete a del personale qualificato di togliere lo sporco dall'apparecchio.

processo di produzione, non è possibile eliminare del tutto un seppur minimo numero di pixel difettosi sullo schermo (nonostante la massima cura durante la produzione). Questi pixel difettosi non sono considerati difetti in termini di condizioni di garanzia se la loro entità non supera i limiti definiti dalla norma DIN.

- Il produttore non è responsabile, né sarà ritenuto responsabile, di inconvenienti legati al servizio clienti con riferimento a servizi o contenuti di terze parti. Eventuali domande, commenti o dubbi sui servizi legati a servizi o contenuti di terze parti devono essere rivolti direttamente al fornitore del servizio o contenuto applicabile.
- Esistono numerose ragioni per le quali potrebbe non essere possibile effettuare l'accesso ai contenuti o ai servizi dal dispositivo non dipendenti dal dispositivo stesso, incluse, senza limitazione, interruzione di corrente, connessione internet, o impossibilità di configurare correttamente il proprio dispositivo. Universal Media Corporation, i suoi direttori, funzionari, dipendenti, agenti, contraenti e affiliati non sono responsabili nei confronti del cliente o di eventuali terze parti relativamente a tali inconvenienti o interruzioni di manutenzione, indipendentemente dalla causa o dal fatto che possano essere evitate o meno.
- Tutti i contenuti o i servizi di terze parti accessibili tramite questo dispositivo sono forniti "come sono" e "come disponibile" e Universal Media Corporation e le proprie affiliate non forniscono garanzie o dichiarazioni di alcun tipo, implicite o esplicite, incluse, senza limitazione, garanzie di commercializzabilità, assenza di violazione, idoneità per uno scopo specifico o eventuali garanzie di idoneità, disponibilità, accuratezza, completezza, sicurezza, titolo, utilità, assenza di negligenza o di uso o funzionamento senza errori o interruzioni o uso del contenuto o dei servizi forniti tali da indicare che i contenuti o i servizi soddisfaranno i requisiti o le aspettative.
- 'Universal Media Corporation' non è un agente e non si assume responsabilità alcuna per gli atti o le omissioni dei fornitori di contenuti o servizi di terze parti, né di alcun aspetto specifico dei contenuti o servizi relativi a detti fornitori di terze parti.
- In nessun caso 'Universal Media Corporation' e/o le proprie affiliate saranno responsabili nei confronti del cliente o di terze parti per eventuali danni diretti, indiretti, speciali, incidentali, punitivi, consequenziali o di altro tipo, indipendentemente dal fatto che l'ipotesi di responsabilità sia basata su contratto, torto, negligenza, violazione della garanzia, responsabilità oggettiva o altro e indipendentemente dal fatto che Universal Media Corporation e/o le proprie affiliate siano state avvisate della possibilità che si verifichino tali danni.

## Informazioni importanti riguardo l'uso di videogiochi, computer, sottotitoli e altre visualizzazioni di immagini fisse.

- L'uso intenso del programma per immagini fisse può causare un "immagine ombra" permanente sullo schermo LCD (a volte ci si riferisce erroneamente a questo fenomeno come al "surriscaldamento dello schermo") Questa immagine ombra è poi visibile in maniera permanente sullo sfondo dello schermo. E' un danno irreversibile. Potete evitare questo tipo di danno seguendo le istruzioni che seguono:
- Riducete al minimo il livello visivo di luminosità/contrasto.
- Non visualizzate immagini fisse troppo a lungo. Evitate la visualizzazione di:
  - » ora e tabelle televideo,
  - » menù di TV/DVD, per esempio i contenuti dei DVD,
  - » modalità "Pausa" (tenuta): Non utilizzate questa modalità per lunghi periodi, per esempio mentre guardate un DVD o un video.
  - » Spegnete l'apparecchio se non lo state usando.

## Batterie

- Rispettate la corretta polarità quando inserite le batterie.
- Non esponete le batterie ad alte temperature e non mettetele in posti in cui la temperatura possa aumentare velocemente, per esempio vicino a una fiamma o alla luce diretta del sole.



Cd

- Non esponete le batterie a un eccessivo calore radiante, non gettatele nel fuoco, non smontatele e non cercate di ricaricarle se non sono ricaricabili. Potrebbero avere perdite o esplodere.
  - » Non usate mai batterie di marche diverse insieme, né mescolate di vecchie con delle nuove.
  - » Smaltite le batterie in modo ecologico e rispettoso dell'ambiente.
  - » La maggior parte dei paesi dell'UE regola lo smaltimento delle batterie a norma di legge.

## Smaltimento

- Non smaltite questo televisore insieme ai rifiuti comunali non differenziati. Riconsegnatelo in un punto di raccolta apposito per il RAEE (Riciclaggio di Apparecchiature Elettriche ed Elettroniche). Così facendo, contribuirete alla conservazione delle risorse e alla protezione dell'ambiente. Contattate il vostro fornitore o le autorità locali per ulteriori informazioni.



## Dichiarazione CE:

- Con il presente, UMC Poland Sp. z o.o. dichiara che il televisore LED soddisfa i requisiti essenziali e le altre disposizioni rilevanti della direttiva RED 2014/53/EU. Il testo completo della Dichiarazione di conformità UE è disponibile al link seguente <https://www.sharpconsumer.eu/documents-of-conformity/>.

## Dichiarazione di conformità:

- Questo apparecchio è fabbricato nella CEE nel rispetto delle disposizioni del D.M. marzo 1992 ed è in particolare conforme alle prescrizioni dell'art. 1 dello stesso D.M.

## I marchi

- I termini HDMI, il logo HDMI e High-Definition Multimedia Interface sono marchi commerciali o marchi registrati di HDMI Licensing LLC negli USA e in altri paesi.
- Il logo "DIGITALEUROPE UHD Display" è un marchio registrato di proprietà di DIGITALEUROPE.
- Il logo DVB è un marchio registrato del progetto Digital Video Broadcasting - DVB.
- Prodotto su licenza di Dolby Laboratories. Dolby, Dolby Audio e il simbolo della doppia D sono marchi di Dolby Laboratories.
- Per i brevetti DTS, consultare la pagina <http://patents.dts.com>. Prodotto previa licenza di DTS Licensing Limited. DTS, il Simbolo, e DTS e il Simbolo insieme sono marchi registrati. DTS Studio Sound è un marchio di DTS, Inc. © DTS, Inc. Tutti i diritti riservati.
- Il marchio YouTube e il logo YouTube sono marchi di proprietà di Google Inc
- Il logo Wi-Fi CERTIFIED è un marchio di certificazione della Wi-Fi Alliance.
- Wi-Fi CERTIFIED Miracast e Miracast sono marchi della Wi-Fi Alliance.
- DLNA, il logo DLNA e DLNA CERTIFIED sono marchi, marchi di servizio o marchi di certificazione della Digital Living Network Alliance.
- Harman Kardon è un marchio di proprietà di HARMAN International Industries, Incorporated, registrato negli Stati Uniti e/o in altri Paesi.

## Cosa è compreso nella confezione

### L'acquisto di questo televisore comprende le seguenti componenti:

- |  |   |
|--|---|
| • 1x TV  | • 1x pacchetto di installazione supporto TV |
| • 1x telecomando   | • 1x manuale di istruzioni                  |
| • 2x batterie AAA  |   |
| • 1x set per montaggio a parete (4x viti M6x35 e 4x distanziatori in plastica) |   |

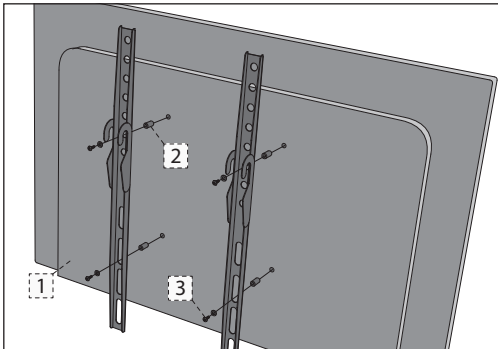
## Attaccare il supporto

Seguite le istruzioni all'ultima pagina di questo manuale di istruzioni.

### Montaggio a parete della TV.

1. Rimuovere le quattro viti fornite nei fori di montaggio a parete
2. Il montaggio a parete può essere collegato facilmente sui fori di montaggio sul retro della TV.
3. Installare la staffa di montaggio a parete sul televisore come raccomandato dal produttore della staffa.

Quando viene montato su una parete il modello da 50", consigliamo di utilizzare, invece delle viti che si trovano nei fori per il montaggio su parete della TV, le viti più lunghe e i distanziatori inclusi nella confezione di accessori. Inserire i distanziatori nei fori per il montaggio su parete della TV, posizionati sul retro del televisore, poi posizionare sopra di essi i supporti per parete. Collegare i supporti e i distanziatori alla TV usando le viti lunghe come mostrato di seguito.



1. TV
2. DISTANZIATORE
3. VITE

**NOTA:** Il tipo di televisore e supporto mostrati nell'illustrazione sono solo per scopi illustrativi.

## Guida introduttiva - impostazione iniziale

1. Usando il cavo RF in dotazione, collegare la TV alla presa per l'antenna TV.

2. Per la connessione via cavo a internet usare un cavo Cat 5/Ethernet (non incluso) dal proprio televisore al router/modem a banda larga.
3. Collegare il cavo di alimentazione alla parte posteriore della TV, quindi connetterlo alla rete elettrica.
4. Inserite le batterie fornite nel telecomando.
5. Poi premete il tasto Standby per accendere il televisore.
6. Verrete accolti dalla schermata di **Prima installazione**. Se questa non appare, premete sul telecomando [MENU] e poi 8-8-8-8: apparirà il menù. Se volete effettuare modifiche alle impostazioni di default, usate i tasti ▲/▼/◀/▶ di scorrimento. Per uscire dal menù in qualunque momento, premete il tasto [EXIT].
7. Configurate le impostazioni desiderate sulla schermata di PRIMA INSTALLAZIONE.

**FASE 1** - Impostare la lingua del menu della TV.

**FASE 2** - Impostare il paese.

**FASE 3** - Impostare il tipo di connessione di rete. Se si desidera saltare questo passaggio e connettere la TV alla rete in seguito, selezionare Saltare configurazione di rete.

**FASE 4** - Selezionare la località della TV. Per l'uso domestico, selezionare Casa. Per la modalità di dimostrazione in negozio, selezionare Negoziò.

**FASE 5** - Scegliere se la TV dispone di supporto, o se è montata a parete. La TV sceglierà impostazioni ottimali per l'opzione selezionata.

8. **FASE 6** - Selezionare la sorgente di input che si desidera usare. Se hai collegato un cavo RF direttamente alla TV, selezionare DTB. Se hai collegato un satellite direttamente alla TV, selezionare DVB-S\*. Se si sta usando un set top box, selezionare l'input TV corretto a cui è connesso.

Se nell'ultima fase è stato selezionato DTB o DVB-S2, verrà chiesto se si desidera la sintonizzazione dei canali. Selezionando "No", è possibile sintonizzare i canali in seguito dal menu SETTAGGIO/CANALE.

Selezionando "Sì", il menu di sintonizzazione viene visualizzato.

**Sintonizzazione TV digitale (DTV):** In Antenna DVB, selezionare di quale tipo di segnale si dispone. Terrestre (DVB-T) o cavo (DVB-C). Quindi inserire Sintonizzazione automatica e impostare le impostazioni desiderate. Selezionare nuovamente Sintonizzazione automatica per avviare la sintonizzazione dei canali.

**Sintonizzazione satellite (DVB-S2):** Inserire Sintonizzazione automatica e inserire Satellite. Qui è possibile scegliere i diversi satelliti. Selezionare il satellite che si desidera sintonizzare premendo il pulsante OK sul telecomando. Quindi ritornare al menu precedente premendo il pulsante INDIETRO sul telecomando e scegliere Sintonizzazione automatica per avviare la sintonizzazione dei canali.

**NOTA:** per abbreviare il tempo di sintonizzazione dei canali del satellite, alcuni paesi hanno una lista di canali preinstallati per i satelliti più popolari nella regione. Se questo è il caso del paese selezionato, verrà chiesto se si desidera caricare la lista di canali preinstallati. Selezionando "Sì", la lista di canali satellitari sarà importata nella TV in pochi secondi.

**SUGGERIMENTO:** Se vi mancano alcuni canali, si potrebbe trattare di scarsa potenza del segnale: dovreste nel caso pensare di collegare un ripetitore di segnale e di risintonizzare il televisore.

## Telecomando

1. **STANDBY** – Accende il televisore quando è in standby o viceversa.
2. **MUTE** – Silenzia il suono o viceversa.
3. **0 - 9** – per selezionare direttamente i canali TV.
4. **TV GUIDE** – Apre la guida TV 7 giorni (Modalità digitale).
5. **↶** – Per tornare al canale precedentemente in visione.
6. **PICTURE** – Scorre nelle opzioni di modalità dell'immagine.
7. **VOL ▲/▼** – Per alzare/abbassare il livello del suono.
8. **CH ▲/▼** – Per guardare il canale successivo o precedente.
9. **SOUND** – Scorre nelle opzioni di modalità del suono.
10. **SOURCE** – Appare il menù ingresso/sorgente.
11. **MENU** – Per mostrare il menù OSD.

12. **EXIT** – Per uscire da qualunque menù.
  13. **(▲/▼/◀/▶/OK)** – Vi permette di navigare su menù su schermo e regolare le impostazioni di sistema a piacere.
  14. **BACK** – Torna al menu precedente.
  15. **FAV** – Per mostrare il menù preferiti.
  16. **INFO** – Premete una volta per informazioni sul canale attuale o successivo. Premete due volte per informazioni sul programma in onda.
  17. **TEXT** – Modalità televideo - Per entrare nel televideo
  18. **SUBTITLE** – Per far apparire i sottotitoli nella parte inferiore dello schermo (on/off).
  19. **DTV** – Passa alla sorgente TV digitale.
  20. **YouTube** – Visualizza le applicazioni YouTube.
  21. **NETFLIX** – Visualizza le applicazioni NETFLIX
  22. **NET+** – Visualizza il menu AQUOS NET+.
  23. **Rec1** – Registrazione PVR
  24. **◀◀** – Per far ripartire il capitolo corrente
  25. **▶▶** – Per avanzare al capitolo successivo
  26. **■** – Per interrompere la riproduzione
  27. **Rec List<sup>1</sup>** – Apre la lista delle registrazioni.
  28. **◀◀** – Per la riproduzione in modalità di riavvolgimento rapido.
  29. **▶▶** – Per la riproduzione in modalità di avanzamento rapido.
  30. **⏸** – Per riprodurre/mettere in pausa
  31. **TASTI COLORATI** – Televideo supplementare e funzioni OSD
- 1 - disponibile solo con funzione PVR

1. Premete [SOURCE/☐] - Apparirà il menù sorgente.
  2. Premete [◀] o [▶] per selezionare l'ingresso che desiderate.
  3. Premete [OK].
- b1) Uso dei tasti\* sul televisore:**
1. Premete [SOURCE].
  2. Scorrete su/giù usando i tasti VOL+/VOL- per l'ingresso/sorgente che desiderate.
  3. Premete [SOURCE] per cambiare ingresso/sorgente e arrivare a quello selezionato.
- b2) Uso della barra\* di controllo TV:**
1. Premere rapidamente la barra di controllo per entrare nel menu.
  2. Premere la barra di controllo e navigare il cursore nel menu SORGENTI.
  3. Premere rapidamente la barra di controllo per entrare nel menu SORGENTI.
  4. Con la barra di controllo selezionare la sorgente/ingresso richiesta.
  5. Premendo rapidamente la barra di controllo, cambiare l'ingresso/sorgente in quella selezionata.

\* - **opzionale**


## Collegamenti


Verificate la tabella per i tipi di connettori per i diversi modelli disponibili a pagina 68.

 **USB**  
USB 2.0 Ingresso 1, 2; USB 3.0 Ingresso 3

 **HDMI 1, 2 (ARC), 3 in**  
Ingresso HDMI2.0 1, 2, 3 in

 **Lettores scheda SD**  
Ingresso Scheda SD

 **Audio In R/L - Video & YPbPr**  
Ingresso audio componente / video


 **Video (CVBS)**  
Ingresso VIDEO


 **Component/YPbPr**  
Ingresso componente HD

 **SCART**  
Ingresso SCART

 **CI Card IN**  
Ingresso CI


 **RF In**  
Ingresso RF/antenna TV

 **Sat In**  
Ingresso satellite

 **Uscita audio digitale ottica**  
Uscita digitale ottica

 **RJ 45**  
Ethernet

 **CUFFIE**  
Uscita cuffie 3.5mm

 **D-link**  
solo ingresso di servizio

## Tasti\* TV

**Vol+** Alza il volume e menù destra

**Vol-** Abbassa il volume e menù sinistra

**CH+** Programma/Canale successivo e menù su

**CH-** Programma/Canale precedente e menù giù

**MENU** Appare il Menù/OSD

**SOURCE** Appare il menù della sorgente di entrata

**STANDBY** Standby accensione/spegnimento

\* - **per TV con pulsanti**

## Barra\* di controllo TV

La barra di controllo della TV si trova sull'angolo inferiore sinistro della parte posteriore della TV. È possibile usarla al posto del telecomando per controllare gran parte delle funzioni della propria TV.

**Quando la TV è in modalità standby:**

- pressione rapida della barra di controllo - Accensione

**Quando si guarda la TV:**

- DESTRA/SINISTRA – aumento/riduzione volume
- ALTO/BASSO – cambia canale alto/basso
- pressione rapida - visualizzazione menu
- pressione prolungata - standby power on

**Nel menu:**

- DESTRA/SINISTRA/ALTO/BASSO – navigazione del cursore su menu su schermo
- pressione rapida - OK/conferma voce selezionata
- pressione prolungata - ritorno al menu precedente

\* - **per TV con joystick**

## Scelta della modalità di ingresso/ sorgentes

Per cambiare tra i diversi ingressi/le diverse connessioni.

**a) Uso dei tasti sul telecomando:**

## Navigazione menù TV

Per accedere a questo menù, premete il tasto [MENU] sul telecomando. Per entrare in un menù premete [OK]. Se volete effettuare modifiche alle impostazioni di default, usate i tasti ▲/▼/◀/▶ di scorrimento. Per confermare le impostazioni premete il tasto [OK]. Per uscire dal menù in qualunque momento, premete il tasto [EXIT].

## Netflix

La rete televisiva su internet leader al mondo. Offre migliaia di film e serie TV, incluse serie originali, documentari e film. I membri possono guardare, mettere in pausa e riprendere la visione, senza pubblicità o altre spese. È possibile accedere a questa applicazione dal tuo account Netflix esistente. Se non hai ancora un account Netflix, è possibile registrarsi usando questa app o dal sito internet Netflix ufficiale.

## YouTube

App di video sharing che consente di scoprire e guardare video inediti. **NOTA:** Perché l'app YouTube funzioni, è necessario che sul televisore siano impostati data e ora corrette. Per ulteriori informazioni su come impostare la data e l'ora sul televisore, consultare il capitolo sul menù ORA presente in questa guida. Assicurati che la rete non blocchi l'accesso a YouTube e che la velocità della connessione internet sia sufficiente per la visione dei contenuti.

## Altre app

Contiene le app più comunemente usate per un rapido e facile accesso.

- AQUOS NET+** - Apre il portale Sharp SMART.
- Weather** - app di previsioni meteo AccuWeather.
- Brower** - applicazione per accedere ai siti internet. Navigazione nel browser:
  - **CH+** - scorrimento in alto della pagina
  - **CH-** - scorrimento in basso della pagina
  - **Pulsante rosso** - mostra/nasconde la barra del menu del browser
  - **Pulsante giallo** - ingrandimento
  - **Pulsante blu** - rimpicciolimento

## Sorgenti

Da questo menu è possibile passare il segnale di ingresso della propria TV a una sorgente/dispositivo connesso differente.

## Media

**USB** - La modalità multimediali offre la riproduzione dei contenuti salvati su una penna USB. I contenuti saranno suddivisi in tre tipologie di file: foto, musica e filmati. 'Opzione file' visualizza e permette di riprodurre tutti i tipi di contenuti supportati.

1. È possibile navigare nel menu usando il pulsante di scorrimento ▲/▼/◀/▶. Per confermare l'elemento che si desidera riprodurre/visualizzare premere il pulsante [OK].
2. Durante la visualizzazione dei contenuti è possibile controllare le modalità di riproduzione utilizzando i pulsanti di controllo remoto o richiamando il menu di navigazione della riproduzione e selezionando i pulsanti su schermo ▲/▼/◀/▶ quindi [OK]

**NOTA:** I cavi di estensione per USB non sono consigliati perché possono causare una riduzione della qualità immagine/audio e

interruzioni durante la riproduzione di contenuti dell'USB.

**Miracast\*** - consente di visualizzare contenuti dal proprio smartphone o tablet sullo schermo TV. La connessione wireless viene stabilita usando Wi-Fi Direct, dunque l'accesso alla rete Wi-Fi non è richiesta. È possibile condividere contenuti dal proprio smartphone o tablet basato su Android 4.4 e sistemi più recenti.

**Server multimediale** - Ricerca automaticamente i server multimediali digitali (DMS) connessi alla propria rete domestica e consente la riproduzione e il rendering dei contenuti provenienti dai server multimediali

\* - Questa funzione è disponibile esclusivamente su alcuni smartphone e notebook.

## Immagine

**Modalità immagine** - Scegliete tra le seguenti preimpostazioni.

- **Standard** - Impostazioni di default
  - **Film** - Impostazioni con colori più chiari e meno luminosità.
  - **Personale** - Vi permette di modificare manualmente tutte le impostazioni
  - **Eco** - Consuma il 15% in meno di energia.
  - **Dinamico** - Impostazioni consigliate per immagini in movimento rapido
- Contrasto** - Commuta il bilanciamento tra bianco e nero.
- Luminosità** - Aumenta o diminuisce la luminosità dell'immagine.
- Colore** - Aumenta il colore dal bianco e nero.
- Nitidezza** - Aumenta o diminuisce la nitidezza dell'immagine.

**Temperatura colore** - Scegliete tra le seguenti preimpostazioni.

- **Normale** - Impostazioni di default
  - **Caldo** - Aumenta il rosso all'interno dell'immagine
  - **Freddo** - Aumenta il blu all'interno dell'immagine
- Rapporto di aspetto** - Il formato dell'immagine varia a seconda del canale e della trasmissione. Ci sono molte diverse opzioni per venire incontro alle vostre necessità al meglio.

- **Auto** - Visualizza automaticamente il migliore formato dell'immagine. Così l'immagine è nella posizione corretta. Potrebbero esserci delle linee nere in alto o in basso e/o ai lati.
- **4:3** - Visualizza l'immagine in 4:3 nel suo formato originale. Le strisce laterali appaiono per completare lo schermo in 16:9.
- **16:9** - Riempie lo schermo con un segnale 16:9 regolare.
- **Zoom 1/2** - L'immagine ha la giusta proporzione, ma è ingrandita per riempire lo schermo.
- **Punto per punto (HDMI)** - Mostra l'immagine nella risoluzione originale senza alcuna modifica
- **Schermo intero** - Allunga il segnale per riempire lo schermo.

**Impostazioni avanzate**

- **Riduzione del disturbo** - Filtra e riduce il rumore (interferenza) dell'immagine
- **Contrasto attivo** - Ottimizza automaticamente la 'retroilluminazione' e il 'contrasto' dell'immagine sulla base della luminosità dello schermo.
- **Retroilluminazione** - regola la luminosità dello schermo aumentando/diminuendo la retroilluminazione del pannello.
- **Gamma** - regola le tonalità tra le parti chiare e scure dell'immagine.
- **Rosso** - regola la tonalità di rosso dell'immagine
- **Verde** - regola la tonalità di verde dell'immagine
- **Blu** - regola la tonalità di blu dell'immagine

## Audio

**Modalità audio** - Scegliete tra le seguenti preimpostazioni

- **Standard** - Impostazioni di default
- **Musica** - Enfattizza la musica al di sopra delle voci
- **Film** - Dà un audio live e ricco ai film
- **Personale** - Seleziona le vostre impostazioni audio personali
- **Sport** - Enfattizza l'audio per lo sport



**Equalizzatore** - regola il volume delle diverse frequenze sonore. I livelli audio dell'equalizzatore possono essere regolati solo quando è stata selezionata la modalità 'Personale'.

#### Cuffie

- **HP+TV** - opzione per riprodurre l'audio da altoparlanti TV e cuffie contemporaneamente.
- **Volume** - regola il volume delle cuffie.

**Bilanciamento** - Per far passare il suono tra l'altoparlante di destra a quello di sinistra e viceversa.

**Volume automatico** - Quando viene selezionato 'on', il volume resta ad un livello costante indipendentemente dall'ingresso/sorgente.

**DTS TruSurround** - Vi permette di accendere e spegnere l'effetto audio surround.

**Uscita digitale** - E' l'uscita digitale audio. Scegliete tra le seguenti opzioni:

- **Off** - Off
- **Auto** - Seleziona automaticamente le migliori impostazioni
- **PCM** - Selezionate quest'opzione se siete collegati a uno stereo Hi-fi via cavo digitale (la modulazione codificata di impulsi (PCM) è una rappresentazione digitale di un segnale analogico)

**Descrizione audio** - Traccia audio aggiuntiva per persone con disabilità visive. Disponibile solo per spettacoli DTV selezionati.

**Volume DA** - per regolare il volume della traccia della Descrizione Audio.

**Audio traccia** - consente di selezionare una lingua/audio differente per la Digital TV o i contenuti multimediali.

**Ritardo audio (ms)** - Permette all'utente di regolare l'impostazione del suono per sincronizzare l'immagine e l'audio per gli altoparlanti del televisore.

**Ritardo SPDIF (ms)** - Permette all'utente di regolare l'impostazione del suono per sincronizzare l'immagine e l'audio per altoparlanti esterni collegati all'uscita audio digitale.

## SETTAGGIO

### CANALE

**Antenna DVB** - Impostate il tipo di segnale DTVI

- **Terrestre** - Terrestre (DVB-T)
- **Cavo** - Cavo (DVB-C)

**Sintonizzazione automatica** - Vi permette di risintonizzare sul televisore tutti i canali digitali, le stazioni radio digitali e i canali analogici.

**Sintonizz. manuale ATV** - Vi permette di sintonizzare manualmente il segnale analogico.

**Sintonizz. manuale DTV** - Vi permette di sintonizzare manualmente il segnale digitale.

**Modifica programma** - Vi permette di cancellare, saltare e aggiungere canali preferiti.

- **Pulsante rosso** - cancella il canale selezionato.
- **Pulsante giallo** - sposta il canale selezionato. Passare con il cursore sul canale che si desidera spostare in un'altra posizione, quindi premere il pulsante GIALLO. Adesso spostare il canale selezionato con la freccia SU/GIU nella posizione desiderata e premere nuovamente il pulsante GIALLO per confermare la nuova posizione nell'elenco dei canali.
- **Pulsante blu** - salta il canale selezionato. I canali selezionati in Salta non vengono visualizzati premendo i pulsanti CH+ o CH-.

**Info segnale** - Informazioni sul segnale DVB.

**Informazioni CI** - I servizi Pay per view richiedono una "smartcard" da inserire nel televisore. Se sottoscrivete un servizio Pay per view, il fornitore vi farà avere una "CAM" e una "smartcard". La CAM può essere inserita nella PORTA DI INTERFACCIA COMUNE (CI Card In).

**LCN** - Impostate LCN su ON se volete ordinare i canali secondo le preferenze del provider (applicabile solo su canali DVB-T e DVB-C).

**Aggiornamento automatico canale** - se questa opzione viene impostata su ON, le posizioni, i nomi e le frequenze dei canali saranno aggiornate periodicamente dal provider. Ciò potrebbe causare degli inconvenienti se hai già ordinato la lista dei canali. In tali casi suggeriamo di tenere disattivata questa modalità.

**Lista dei programmi** - Lista dei promemoria dei vostri programmi.

**Configurazione satellitare** - Questo menù è disponibile solo in modalità DVB-S2. Potete selezionare il tipo di satellite, di transponder, di LNB ecc.

**OAD (aggiornamento software)** - Aggiornamenti software accensione/spengimento OAD (over air download).

### RETE

**Configurazione di rete** - Per prima cosa è necessario configurare il tipo di connessione. È possibile selezionare tra una connessione wi-fi o via cavo.

**NOTA:** Per la connessione via cavo a internet usare un cavo Cat 5/Ethernet (non incluso) dal proprio televisore al router/modem a banda larga.

**Configurazione IP** - Impostazioni della connessione di rete LAN

- **Auto** - Connette automaticamente il televisore alla propria rete domestica (queste sono impostazioni predefinite e se ne raccomanda l'uso)
- **Manuale** - Consente di modificare manualmente i dati di IP, Netmask, Gateway e DNS.

**Configurazione Wi-Fi** - Impostazioni della connessione di rete wireless

- **Ricerca automatica Wi-Fi** - Cerca automaticamente le reti wireless disponibili. Selezionare la rete Wi-Fi desiderata, quindi immettere la password di rete (se la rete è protetta con una password). Una volta accettata la password, non sarà richiesta nuovamente.

**NOTA:** La procedura di connessione potrebbe richiedere alcuni minuti. Ogni volta che il televisore viene acceso, si connette automaticamente alla rete. Anche questo richiede alcuni minuti.

**Informazioni di rete** - informazioni sulle impostazioni della rete.

**Test di rete** - Test della connessione di rete.

### ORA

**Sincronizzazione automatica** - imposta automaticamente ora e data del televisore. Il televisore deve essere sintonizzato su un segnale digitale e/o una connessione internet. Spegnerne "Sincronizzazione automatica" per regolare manualmente ora e data. Se "Sincronizzazione automatica" è impostata su spenta con ora e data regolati manualmente, queste informazioni saranno azzerate quando l'alimentazione del televisore viene disconnessa.

**Orologio visualizza data e ora. Può essere regolato quando "Sincronizzazione automatica" è impostata su spenta.**

**Orario spegnimento** - Vi permette di impostare un'ora precisa in cui il televisore si spegnerà.

**Orario accensione** - Vi permette di impostare un'ora precisa in cui il televisore si accenderà, il canale che verrà trasmesso, la sorgente e anche il volume. Questa funzione può essere impostata in modo che si ripeta ogni giorno o in determinati giorni.

**Timer di spegnimento** - Vi permette di impostare il timer di spegnimento in modo che il televisore si spenga automaticamente per un determinato periodo di tempo. Off -> 10min -> 20min -> 30min -> 60min -> 90min -> 120min -> 180min -> 240min.

**OSD Timer** - Vi permette di regolare la quantità di tempo che il Menù su schermo resta fisso prima di scomparire.

**Spegn. Auto** - Regolazione dello standby automatico a scaglioni orari. Off -> 3h -> 4h -> 5h.

**Fuso orario** - Cambia il vostro fuso orario attuale.

### BLOCCO

**Blocco di sistem** - Vi permette di bloccare e sbloccare il menù. Vi verrà richiesto di digitare una password di 4 caratteri. Usate il tasto ◀ per abbandonare il campo di immissione della password. Usate il tasto ▶ per cancellare. La password di default è 0000.

**Imposta password** - Cambiate la password di default.

**Blocca programma** - Blocco di determinati canali TV.

**Controllo gestione canali da parte di un adulto** - Blocco di canali TV secondo restrizioni di età.

**Blocco tasti** - consente i comandi sul lato posteriore della TV.

**Blocco fonte** - consente di nascondere gli input dal menu sorgente.

**Modo albergo** - impostazioni avanzate per hotel.

## IMPOSTAZIONI

**Lingua** - Vi permette di cambiare la lingua del menù.

**Lingue audio** - Vi permette di cambiare la lingua dell'audio sui canali DVB selezionati.

**Lingua sottotitoli** - Vi permette di cambiare la lingua dei sottotitoli sui canali DVB selezionati.

**Audiolesi** - Se il segnale ha il supporto per gli audiolesi, i sottotitoli appaiono se si preme "Subtitle". Se impostate la funzione Audiolesi accesa e cambiate su un canale che la supporta, i sottotitoli per audiolesi verranno automaticamente attivati.

**Schermo blu** - Cambia lo sfondo quando non c'è alcun ingresso, tra lo sfondo trasparente e quello blu (disponibile solo con alcune sorgenti).

**Prima installazione** - Inizializza la prima installazione.

**Aggiornamento software (USB)** - Ogni tanto potremmo distribuire nuovi firmware per migliorare il funzionamento del televisore (disponibile per il download). Questo menù vi permette di installare i nuovi software/firmware sul televisore. Verranno dati ulteriori dettagli su come fare con il firmware. Contattate l'assistenza telefonica o fate riferimento al sito 'www.sharp.eu/av'.

**Aggiornamento software (NET)** - Consente al software TV di essere aggiornato tramite la rete. Questa funzione cerca nuovo software ed esegue l'aggiornamento quando necessario.

**NOTA:** il televisore cerca automaticamente nuovo software ogni volta che viene acceso. Se viene trovato del nuovo software, verrà richiesto di scaricarlo e installarlo. Selezionando "Sì" il televisore sarà aggiornato alla versione più recente del software.

**ATTENZIONE:** Non accendere il televisore prima di aver completato l'aggiornamento!

**Ripristina predefinito di fabbrica** - Riporta i menù alle impostazioni di fabbrica.

**HDMI CEC\*** - Vi permette di far funzionare dispositivi via HDMI con il telecomando del televisore.

- **Lista Dispositivo\*** - Vi permette di accedere al menù dei dispositivi e di agire sul menù usando il telecomando del televisore.
- **HDMI CEC** - attivare/disattivare funzione HDMI CEC.
- **Spegn. Auto\*** - Accende/spegne automaticamente i dispositivi collegati via HDMI CEC.
- **HDMI ARC\*** - Invia un segnale audio da trasmissione terrestre/satellitare via HDMI al ricevitore AV senza usare altri cavi audio aggiuntivi; questa funzione è disponibile solo sull'uscita HDMI 2.

\* - **HDMI CEC deve essere supportato dal dispositivo collegato.**

**HDMI EDID** - trasmette le capacità del televisore (risoluzione, supporto audio ecc.) direttamente ai dispositivi connessi tramite HDMI. Questo elemento consente di cambiare le modalità dell'input HDMI tra HDMI1 e HDMI2.0.

- **Standard** - raccomandato se il televisore è connesso a un dispositivo dotato di output HDMI 1.4 o inferiore, per esempio un lettore Blu-Ray Full HD, un lettore DVD, o una console di gioco.
- **Miglioramento** - raccomandato se il televisore è connesso a un dispositivo con output HDMI 2.0, per esempio un lettore Blu-Ray 4K o un PC.

**Stato del LED** - Permette all'utente di accendere e spegnere la spia di accensione del LED quando il televisore è in funzione. (Quando questa opzione è impostata su OFF la spia di accensione del LED lampeggerà quando viene usato il telecomando).

**HbbTV** - Consente all'utente di attivare/disattivare HbbTV.

Per usare HbbTV, la TV deve essere connessa a internet e il canale selezionato deve supportare il servizio HbbTV.

**Informazioni versione** - mostra la versione del software del televisore.

**Modificare sorgente** - questo consente all'utente di rinominare manualmente gli elementi nelle sorgenti di input. Per esempio, è possibile rinominare gli input con i nomi dei dispositivi connessi.

## AQUOS NET+

AQUOS NET+ offre l'opportunità di usare una varietà di applicazioni o navigare in rete usando AQUOS LCD TV. Per accedere al menu AQUOS NET+ in qualsiasi istante premere il pulsante NET+ sul telecomando o selezionarlo dal menu Altre app.

**NOTA:** Attendere mentre il televisore si connette alla rete Wi-Fi. Dopo avere attivato il televisore, potrebbero trascorrere alcuni minuti. Navigare nel menu usando i pulsanti di scorrimento ▲/▼/◀▶. Per confermare l'elemento che si desidera riprodurre/visualizzare premere il pulsante [OK]. Per tornare indietro di un passo, premere il pulsante [Menu], quindi per accedere alle funzioni aggiuntive usare i pulsanti colorati. Per uscire da AQUOS NET+ premere il pulsante [EXIT].

**Home** - La schermata principale con i filmati consigliati e le applicazioni recenti

**Tutte le apps** - apre un elenco di applicazioni disponibili.

**Film** - apre una elenco di filmati disponibili.

**Programmi TV** - apre una elenco di spettacoli TV disponibili.

**Musica** - apre una elenco di musica e video musicali disponibili.

**Giochi** - lista di giochi e app legate ai giochi.

**Sport** - lista di app legate allo sport.

**Notizie** - list di app con notizie.

**Cerca** - cerca per app inserendo il nome o una parte del nome.

**My apps** - aggiungendo app alla lista "My apps", potrai accedere rapidamente alle tue app preferite. Per aggiungere un'app alla lista, evidenzia un'app e premi il pulsante verde, quindi apparirà nella tua lista "My apps". Per rimuovere un'app non desiderata dalla lista "My apps", evidenzia l'app che si vuole cancellare e premere il pulsante VERDE.

**Impostazioni** - nel menu impostazioni è possibile modificare la lingua del portale Aquos NET+, impostare un filtro per le applicazioni specifiche per la lingua selezionata e azzerare tutte le impostazioni utente alle impostazioni predefinite.

**AZZERAMENTO DELLE IMPOSTAZIONI UTENTE:** Se desideri azzerare tutte le impostazioni utente su AQUOS NET+, devi prima navigare al menu Impostazioni del portale e selezionare "Reimposta dispositivo". Seleziona S) con il cursore e quindi premi OK sul telecomando per confermare l'azzeramento delle impostazioni.

**NOTA:** Per soddisfare le richieste dei nostri clienti stiamo migliorando i nostri prodotti. Come risultato del nostro continuo impegno, nuove applicazioni saranno regolarmente aggiunte ad AQUOS NET+. Le applicazioni e i contenuti di AQUOS NET+ possono essere modificati senza preavviso. Alcune delle funzioni e dei contenuti potrebbero non essere disponibili nel suo paese.

## Guida TV 7 giorni

La guida TV è disponibile in modalità TV digitale. Dà informazioni sulla programmazione TV (laddove supportata dal canale digitale). Potete vedere l'ora di inizio e di fine di tutti i programmi su tutti i canali per i successivi 7 giorni e impostare promemoria.

1. Premete **[TV GUIDE]**. Apparirà la guida TV per i successivi 7 giorni.
2. Navigare all'interno del menù usando ▲/▼/◀▶. Ora potete:
  - un promemoria premendo il VERDE.
  - Visualizzate il giorno precedente premendo il GIALLO.
  - Visualizzate il giorno successivo premendo il BLU.
  - [INFO]** mostra informazioni dettagliate sul post selezionato
3. Premete **[EXIT]** per uscire dalla guida TV 7 giorni.

## Registrazione USB - modalità digitale

PVR non disponibile in Italia.

## HDR (High Dynamic Range)

HDR video rimuove alcune delle limitazioni del segnale video standard e mostra l'immagine costruita a partire da una gamma più ampia di colore e luminosità.

### NOTE:

- La funzione HDR si attiva automaticamente se viene rilevato un segnale HDR, purché lo HDMI EDID sia stato impostata su "Miglioramento" nel menu "IMPOSTAZIONI".
- Questo televisore può mostrare contenuti HDR tramite input HDMI o USB.
- Se ti stai connettendo tramite una delle porte HDMI, il dispositivo esterno deve supportare anch'esso HDR, HDMI2.0 e riprodurre contenuti HDR.
- Questo dispositivo non supporta contenuti HDR da app integrate come Netflix o YouTube.

## Scheda del prodotto

Marchio commerciale	
Modello	LC-50U17222E LC-50U17322E LC-50U17422E
Classe di efficienza energetica	A+
Dimensione dello schermo (diagonale)	50" / 127cm
Consumo di corrente modalità ON	70,0 W
Consumo energetico annuo*	102 kWh
Consumo energetico in standby**	<0,50 W
Consumo energetico se spento	N/A
Risoluzione dello schermo	3840 (H) x 2160 (V)

\* - Consumo energetico di XYZ kWh all'anno, basato sul consumo energetico del televisore in funzione per 4 ore al giorno per 365 giorni. L'effettivo consumo energetico dipende da come viene utilizzato il televisore.

\*\* - quando il televisore viene spento con il telecomando e non ci sono funzioni attive

## Instrucciones de seguridad



**Lea estas instrucciones de seguridad y respete las siguientes advertencias antes de utilizar el aparato:**

**Para evitar incendios mantenga siempre las velas u otras llamas al descubierto lejos del producto.**



- Los televisores con pantallas de 43" o tamaño superior deben ser elevados y transportados por al menos dos personas.
- Esta televisión no contiene ninguna pieza que pueda ser reparada por el usuario. En caso de avería, póngase en contacto con el fabricante o el servicio técnico autorizado. El contacto con ciertas partes de la televisión puede poner en peligro su vida. La garantía no cubre las averías resultantes de reparaciones llevadas a cabo por terceros.
- No retire la parte posterior del aparato.
- Este aparato se ha diseñado para recibir y reproducir señales de vídeo y de sonido. Cualquier otro uso está estrictamente prohibido.
- Para desconectar el televisor de la corriente, retire el enchufe de la toma de pared.
- Si el cable de alimentación presenta algún daño, deberá ser sustituido por el fabricante, el servicio técnico o personas con una cualificación similar para evitar que se produzcan situaciones de peligro.
- La distancia ideal para ver la televisión es aproximadamente cinco veces la distancia diagonal de la pantalla. Los reflejos en la pantalla procedentes de otras fuentes luz pueden reducir la calidad de la imagen.
- Asegúrese de que la televisión está adecuadamente ventilada y no se encuentra cerca de otros aparatos o muebles.
- Asegúrese de dejar una distancia mínima de 5 cm en torno al aparato para garantizar una ventilación adecuada.
- Evite la obstrucción de las ranuras de ventilación con objetos como periódicos, manteles, cortinas, etc.
- La televisión se ha diseñado para ser usada en climas con temperaturas moderadas.
- No exponga la televisión a goteos o salpicaduras.
- La televisión se ha diseñado para ser usada exclusivamente en lugares secos. Si la televisión se usa en espacios exteriores, asegúrese de que está protegida contra la humedad (lluvia y salpicaduras). No exponga nunca la televisión a la humedad.
- No coloque objetos ni recipientes con líquidos, como jarrones, sobre el televisor, ya que su contenido podría derramarse y ocasionar riesgos eléctricos. Coloque la televisión sobre una superficie resistente, plana y estable. No coloque ningún objeto como periódicos o mantas, etc. sobre o debajo de la televisión.
- Asegúrese de que el aparato no se coloca sobre un cable de alimentación, ya que podría resultar dañado. Los teléfonos móviles y otros dispositivos, como adaptadores WLAN, cámaras de supervisión con transmisión de señal, etc., pueden provocar interferencias electromagnéticas y no deben colocarse cerca del aparato.
- No coloque el aparato cerca de elementos de calentamiento o en un lugar con radiación solar directa, ya que el sistema de refrigeración del aparato podría verse afectado. La acumulación de calor es peligrosa y puede reducir en gran medida la vida útil del aparato. Para garantizar la seguridad, pida a personal cualificado que retire la suciedad del aparato.
- Intente evitar que el cable de alimentación o el adaptador de corriente resulten dañados. El aparato solo puede conectarse con el cable de alimentación y el adaptador de corriente suministrados.

- Las tormentas son peligrosas para todos los aparatos eléctricos. Si el cable de alimentación o el cableado de la antena es alcanzado por un rayo, el aparato puede resultar dañado, incluso si no está encendido. Debe desconectar todos los cables y conectores del aparato antes de una tormenta.
- Para limpiar la pantalla del aparato, utilice únicamente un paño suave y humedecido. Utilice únicamente agua limpia, sin detergentes y en ningún caso con disolventes.
- Coloque la televisión cerca de la pared para evitar la posibilidad de que se caiga en caso de recibir un golpe frontal.
- **ADVERTENCIA:** No coloque nunca el televisor en una ubicación inestable. El televisor puede caerse y causar daños personales graves o la muerte. Se pueden evitar muchas lesiones, especialmente en el caso de niños, si se adoptan precauciones sencillas como:
  - Usar armarios o soportes recomendados por el fabricante del televisor.
  - Utilizar solo muebles capaces de soportar el peso del televisor.
  - Asegurarse de que el televisor no supera los bordes del mueble en el que se coloca.
  - No colocar el televisor sobre muebles altos (como armarios o estanterías) sin sujetar tanto el mueble como el televisor a un soporte adecuado.
  - No colocar el televisor sobre un paño o sobre materiales situados entre el televisor y el mueble de apoyo.
- Explicar a los niños los peligros de subirse a muebles para acceder al televisor o sus controles.
- Asegurarse de que los niños no se suben ni se cuelgan del televisor.
- Si tiene previsto conservar o colocar su televisor actual en otro sitio, tenga presente las mismas consideraciones indicadas anteriormente.
- Las instrucciones siguientes presentan una forma segura de colocar la televisión mediante su sujeción a la pared y evitarán la posibilidad de que el aparato se caiga hacia delante y cause heridas y daños.
- Para este tipo de instalación, necesitará un cable de sujeción.
  - A) Utilizando uno o los dos orificios y tornillos de montaje en pared (los tornillos se suministran en los agujeros de montaje en pared), sujete uno de los extremos del cable o cables de sujeción a la televisión.
  - B) Fije el otro extremo al cable o cables de sujeción a la pared.
- El software de la televisión y el diseño de los elementos de visualización en pantalla pueden cambiarse sin previo aviso.
- Nota: En caso de descarga electrostática (ESD), el aparato puede mostrar un funcionamiento incorrecto. En este caso, apague el televisor y vuelva a encenderlo. El televisor funcionará normalmente.

### Advertencia:

- No utilice el televisor directamente tras desembalar. Espere a que el aparato se caliente a la temperatura ambiente antes de utilizarlo.
- No conecte ningún dispositivo externo con el aparato encendido. Apague la televisión, así como los dispositivos que se van a conectar. Enchufe la televisión a la toma de corriente de la pared tras conectar cualquier dispositivo externo y la antena.
- Asegúrese de que resulte fácil acceder al enchufe de alimentación de la televisión.
- El aparato no se ha diseñado para su uso en un lugar de trabajo provisto de monitores.
- El uso sistemático de auriculares a gran volumen puede causar daños de audición irreversibles.
- Asegúrese de eliminar este aparato y cualquiera de sus componentes, incluidas las pilas, de manera respetuosa con el medio ambiente. En caso de duda, póngase en contacto con las autoridades locales para obtener detalles sobre el proceso de reciclaje.
- Al instalar el aparato, tenga en cuenta que las superficies de los muebles están tratadas con varios tipos de barnices, plásticos, etc. o que pueden estar pulidas. Las sustancias químicas utilizadas en estos productos pueden reaccionar al contacto con el soporte de la televisión y podrían dar lugar a la adherencia de restos a la superficie de los muebles, que pueden resultar difíciles o incluso imposibles de quitar.
- La pantalla de la televisión se ha fabricado siguiendo los máximos niveles de calidad y se ha comprobado exhaustivamente varias veces en busca de píxeles defectuosos. Debido a las propiedades tecnológicas del proceso industrial, no es posible eliminar la aparición de un pequeño número de puntos defectuosos en la pantalla (incluso aplicando la máxima atención durante el proceso de producción). Estos píxeles defec-

tuosos no se consideran fallos a efectos de los términos de la garantía si su grado no supera los límites definidos en la norma DIN.

- El fabricante no podrá ser considerado responsable de ninguna cuestión del servicio de atención al cliente relacionada con el contenido o los servicios de terceros. Cualquier pregunta, comentario o consulta relativa al servicio y relacionada con el contenido o servicios de terceros deberá dirigirse directamente al proveedor del contenido o del servicio en cuestión.
- Hay diversas razones por las cuales es posible que no pueda acceder al contenido o los servicios del dispositivo que no estén relacionadas con el dispositivo en sí, incluidas, entre otras, un fallo eléctrico, la conexión a Internet o el hecho de no haber configurado correctamente su dispositivo. Universal Media Corporation y sus directivos, ejecutivos, empleados, agentes, contratistas y afiliados no asumirán ningún tipo de responsabilidad ante usted o cualquier tercero con respecto a dichos fallos o problemas de mantenimiento, independientemente de cuál sea la causa o de si se hubiera podido evitar o no.
- La totalidad del contenido o los servicios de terceros a los que se puede acceder a través de este dispositivo se le suministran "tal cual" y "según disponibilidad", y Universal Media Corporation y sus afiliados no otorgan ninguna garantía ni hacen declaración alguna, ni expresa ni implícita, incluidas, entre otras, garantías de comerciabilidad, no incumplimiento, idoneidad para un fin concreto o garantías de idoneidad, disponibilidad, precisión, integridad, seguridad, titularidad, utilidad, falta de negligencia o ausencia de errores, o funcionamiento o uso ininterrumpidos del contenido o los servicios suministrados, o de que el contenido o los servicios satisfagan sus requisitos o expectativas.
- "Universal Media Corporation" no es un agente y no asume ninguna responsabilidad por los hechos o las omisiones de los proveedores de contenido o servicios de terceros, ni por ningún aspecto del contenido o del servicio correspondiente a dichos proveedores independientes.
- "Universal Media Corporation" y sus afiliados no asumirán ningún tipo de responsabilidad, en ningún caso, ante usted o cualesquiera terceros debido a daños directos, indirectos, especiales, incidentales, punitivos, consecuentes o de otro tipo, independientemente de que la teoría de responsabilidad se base en contrato, dolo, negligencia, incumplimiento de garantía, estricta responsabilidad o de cualquier otra manera, e independientemente de que Universal Media Corporation y/o sus afiliados hayan sido informados o no de la posibilidad de dichos daños.

### Información importante en relación con los videojuegos, ordenadores, subtítulos y otras imágenes fijas visualizadas.

- El uso prolongado de material de programas de imagen fija puede causar la aparición de una "sombra" permanente en la pantalla LCD (este efecto se denomina a veces incorrectamente "pantalla quemada"). Esta sombra resultará permanentemente visible en el fondo de la pantalla. El daño es irreversible. Puede evitar este efecto siguiendo estas instrucciones:
- Reduzca el brillo o contraste a un nivel mínimo.
- No visualice la imagen fija durante un periodo prolongado de tiempo. Evite mostrar:
  - La hora o los cuadros de teletexto,
  - El menú de la televisión o del DVD, p. ej., los contenidos de DVD,
  - En el modo de pausa (mantener): No utilice este modo durante periodos de tiempo prolongados, p. ej., al ver un DVD o un video.
  - Apague el aparato si no lo está usando.

### Pilas

- Tenga en cuenta la polaridad correcta al insertar las pilas.
- No exponga las pilas a altas temperaturas y no las coloque en lugares en los que la temperatura pueda experimentar cambios bruscos, p. ej., cerca de un fuente de fuego o en contacto directo con la luz solar.
- No exponga las pilas a calor radiante excesivo, no las arroje al fuego, no las desmonte y no intente recargar pilas no recargables, ya que podrían producirse filtraciones o explotar.



- No combine nunca pilas de diferente tipo y no mezcle pilas nuevas y pilas viejas.
- Elimine las pilas de forma respetuosa con el medio ambiente.
- La mayor parte de los países de UE regulan la eliminación de las pilas mediante leyes.

### Eliminación

- No elimine esta televisión como residuos urbanos no seleccionados. Entréguela en un punto de recogida designado para el reciclado de aparatos electrónicos y eléctricos. De esta forma, ayudará a conservar los recursos y a proteger el medio ambiente. Póngase en contacto con su distribuidor y con las autoridades locales para obtener más información.



### Declaración CE:

- Por la presente, UMC Poland Sp. z o.o. declara que este televisor LED cumple los requisitos esenciales y otras disposiciones pertinentes de la Directiva RED 2014/53/EU y reconocimiento mutuo de su conformidad. El texto completo de la declaración de conformidad de la UE está disponible en el siguiente enlace <https://www.sharpconsumer.eu/documents-of-conformity/>  
Este equipo puede funcionar en todos los países de la UE.  
La función 5 GHz WLAN (Wi-Fi) del equipo solo se debe utilizar en interiores.  
Potencia máxima del transmisor Wi-Fi: 100mW a 2,412 GHz – 2,472 GHz; 5,150 GHz – 5,350 GHz; 5,470 GHz – 5,725 GHz

### Marcas comerciales

- Los términos "HDMI" e "Interfaz multimedia de alta definición HDMI", así como el logotipo HDMI, son marcas comerciales o marcas comerciales registradas de HDMI Licensing, LLC en Estados Unidos y otros países.
- El logotipo "DIGITALEUROPE UHD Display" es una marca comercial de DIGITALEUROPE.
- El logotipo DVB es una marca comercial registrada del proyecto Digital Video Broadcasting - DVB.
- Fabricado con la licencia de Dolby Laboratories. Dolby, Dolby Audio y el símbolo de la doble D son marcas comerciales de Dolby Laboratories.
- Para patentes DTS, consulte <http://patents.dts.com>. Fabricado con licencia de DTS Licensing Limited. DTS, el símbolo, y DTS y el símbolo juntos son marcas comerciales registradas. DTS Studio Sound es una marca registrada de DTS, Inc. © DTS, Inc. Todos los derechos reservados.
- YouTube y el logotipo de YouTube son marcas comerciales de Google Inc.
- El Wi-Fi CERTIFIED Logo es una marca de certificación de la Wi-Fi Alliance.
- Wi-Fi CERTIFIED Miracast y Miracast son marcas comerciales de Wi-Fi Alliance.
- DLNA, el logotipo de DLNA y DLNA CERTIFIED son marcas comerciales, marcas de servicio o marcas de certificación de la Digital Living Network Alliance.
- Harman Kardon es una marca comercial de HARMAN International Industries, Incorporated, registrada en EE. UU. y otros países.

## Contenido de la caja

### Componentes incluidos:

- 1 televisión
- 1 paquete de instalación de la televisión sobre soporte
- 1 mando a distancia
- 1 guía del usuario
- 2 pilas AAA
- 1 conjunto de montaje en pared (4 tornillos M6x35 y 4 topes de plástico)

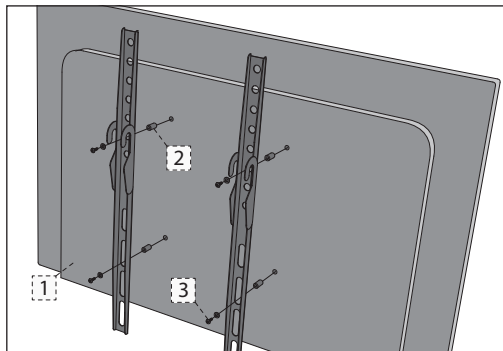
## Montaje del soporte

Siga las instrucciones incluidas en la última página de este manual de usuario.

## Montaje en pared de la televisión

1. Retire los cuatro tornillos que se suministran en los orificios de montaje en pared.
2. El soporte de pared puede ahora fijarse fácilmente en los agujeros de montaje de la parte posterior del televisor.
3. Fije el soporte de montaje en pared al televisor siguiendo las instrucciones del fabricante del soporte.

Al fijar los soportes de montaje en pared en el modelo de 50", en lugar de los tornillos proporcionados en los orificios de montaje en pared del televisor, recomendamos usar los tornillos y topes más largos incluidos en el paquete de accesorios. Coloque los topes en los orificios de montaje en pared del televisor, ubicados en la parte posterior de la unidad, y, a continuación, disponga los soportes de pared sobre ellos. Fije los soportes y los topes al televisor utilizando tornillos más largos como se ilustra a continuación:



1. **TELEVISOR**
2. **TOPE**
3. **TORNILLO**

**NOTA:** El televisor y tipo de soporte en pared que se muestra en el diagrama son solo para fines ilustrativos.

## Primeros pasos - Instalación inicial

1. Con ayuda de un cable RF, conecte el televisor a la toma de antena de televisión de la pared.

2. Para conectarse a Internet con una conexión por cable, debe conectar un cable Cat 5/Ethernet (no incluido) del televisor a su módem o router de banda ancha.
3. Conecte el cable de alimentación a la parte posterior del televisor y, a continuación, enchúfelo a la toma de electricidad.
4. Introduzca las pilas suministradas en el mando a distancia.
5. A continuación, pulse el botón de modo en espera para encender la televisión.
6. Aparecerá la pantalla **Primera instalación** dándole la bienvenida. Si no aparece esta pantalla, en el mando a distancia, pulse [MENU] y 8-8-8 para mostrar el menú. Si desea modificar cualquiera de los ajustes predeterminados, utilice los botones de desplazamiento ▲/▼/◀/▶. Para salir de este menú en cualquier momento, pulse el botón [EXIT].
7. Establezca los ajustes deseados en la pantalla PRIMERA INSTALACIÓN.
 

**PASO 1:** establezca el idioma del menú del televisor.

**PASO 2:** establezca su país.

**PASO 3:** establezca el tipo de conexión a la red. Si desea omitir este paso y conectar el televisor a la red posteriormente, seleccione Saltar la configuración de red

**Paso 4:** seleccione la ubicación del televisor. Para uso en casa, seleccione Modo Hogar. Para modo de demostración en tienda, establezca Modo Demo.

**PASO 5:** seleccione si su televisor se coloca sobre una base o si está montado en pared. El televisor establecerá los ajustes de audio óptimos en función de la opción seleccionada.

**PASO 6:** seleccione la fuente de entrada que desea utilizar. Si tiene un cable RF conectado directamente al televisor, seleccione DTV. Si tiene un satélite directamente conectado a su televisor, seleccione DVB-S\*. Si utiliza un descodificador, seleccione la entrada correcta del televisor a la que está conectado.
8. Si seleccionó en el último paso DTV o DVB-S2, se le preguntará si desea ajustar los canales. Si escoge "No", puede ajustar los canales posteriormente desde el menú AJUSTES/CANAL. Si selecciona "Sí", aparecerá el menú de ajuste.

**Ajuste de la televisión digital (DTV):** En Antena DVB, seleccione qué tipo de señal tiene. Terrestre (DVB-T) o Cable (DVB-C). A continuación, seleccione Sintonía automática y establezca los ajustes deseados. De nuevo, seleccione Sintonía automática para iniciar el ajuste de canales.

**Ajuste (DVB-S2) de satélite:** Introduzca Sintonía automática y Satélite. Aquí puede escoger entre varios satélites. Seleccione el satélite que desea ajustar pulsando el botón OK del mando a distancia. A continuación, vuelva al menú anterior pulsando el botón BACK del mando a distancia y seleccione Sintonía automática para iniciar el ajuste de los canales.

**NOTA:** Para reducir el tiempo de ajuste de los canales por satélite, algunos países incorporan una lista de canales preinstalados para los satélites más populares de la región. Si este es el caso en su país seleccionado, se le preguntará si desea cargar la lista de canales preinstalados. Si selecciona "Sí", la lista de canales por satélite se importará a su televisor en unos segundos.

**CONSEJO:** Si observa que faltan canales, probablemente se deba a la potencia de la señal. Valore la opción de utilizar un amplificador de señal y volver a sintonizar la televisión

## Mando a distancia

1. **⏻ STANDBY** – permite encender la televisión cuando se encuentra en modo en espera y viceversa.
2. **🔇 MUTE** – permite silenciar el sonido y viceversa.
3. **0 - 9** – permite seleccionar el canal de televisión directamente.
4. **TV GUIDE** – abre la guía de televisión de 7 días (modo digital).
5. **↺** – permite volver al último canal visto.
6. **PICTURE** – permite desplazarse entre las opciones de modo de imagen.
7. **VOL ▲/▼** – permite aumentar o reducir el nivel de sonido.
8. **CH ▲/▼** – permite pasar de canal en sentido ascendente o descendente.
9. **SOUND** – permite desplazarse entre las opciones de modo de sonido.
10. **SOURCE** – permite mostrar el menú de entrada y salida.

11. **MENU** – permite mostrar el menú en pantalla.
12. **EXIT** – permite salir de todos los menús.
13. **(▲/▼/◀/▶/OK)** – permite navegar a través de los menús en pantalla y configurar los ajustes del sistema en función de las preferencias del usuario.
14. **BACK** – Volver al menú anterior.
15. **FAV** – permite mostrar el menú de favoritos.
16. **INFO** – si se pulsa una vez, se muestra información para el canal actual o el siguiente. Si se pulsa dos veces, se muestra información sobre el programa actual.
17. **TEXT** – modo de teletexto. Permite acceder al modo de teletexto.
18. **SUBTITLE** – permite mostrar subtítulos en la parte inferior de la pantalla (activarlos y desactivarlos).
19. **TV** – permite cambiar a la fuente de televisión digital.
20. **YouTube** – muestra la aplicación YouTube.
21. **NETFLIX** – muestra la aplicación NETFLIX
22. **NET+** – muestra el menú AQUOS NET+.
23. **Rec<sup>1</sup>** – grabación PVR.
24. **◀◀** – Permite reiniciar el capítulo actual
25. **▶▶** – Permite avanzar al siguiente capítulo
26. **■** – permite detener la reproducción.
27. **Rec List<sup>1</sup>** – abre la lista de grabaciones.
28. **◀◀** – Permite reproducir en modo de rebobinado rápido.
29. **▶▶** – Permite reproducir en modo de avance rápido.
30. **⏸** – Permite reproducir/poner en pausa
31. **BOTONES DE COLORES** – funciones adicionales de texto y menú en pantalla

<sup>1</sup> - solo disponible con la función PVR

## Botones\* de la televisión

**Vol+** permite subir el volumen y seleccionar derecha en el menú

**Vol-** permite subir el volumen y seleccionar izquierda en el menú

**CH+** permite subir programas o canales y seleccionar arriba en el menú

**CH-** permite subir programas o canales y seleccionar abajo en el menú

**MENU** permite mostrar el menú o el menú en pantalla

**SOURCE** permite mostrar el menú de entrada y salida.

**STANDBY** permite activar y desactivar el modo en espera

\* - para televisores con botón

## Palanca\* de control de la televisión

La palanca de control de la televisión se sitúa en la esquina inferior izquierda de la parte posterior de la televisión. Puede utilizarla en lugar del mando a distancia para controlar la mayor parte de las funciones de la televisión.

**Cuando la televisión se encuentra en modo en espera:**

- pulsación breve de la palanca de control - Encendido

**Mientras se ve la televisión:**

- DERECHA/IZQUIERDA - permite subir o bajar el volumen
- ARRIBA/ABAJO - permite subir o bajar de canal
- pulsación breve - muestra el menú
- pulsación larga - modo en espera encendido

**Mientras se está en el menú:**

- DERECHA/IZQUIERDA/ARRIBA/ABAJO - navegación del cursor en los menús en pantalla
- pulsación breve - permite aceptar o con firmar el elemento seleccionado
- pulsación larga - permite volver al menú anterior

\* - para televisores con palanca de control

## Selección del modo de entrada/fuente

Permite cambiar entre las diferentes entradas o conexiones.

**a) Uso de los botones del mando a distancia:**

1. Pulse [SOURCE/☐] para que aparezca el menú de fuente.
2. Pulse [◀] o [▶] para seleccionar la entrada deseada.
3. Pulse [OK].

**b1) Uso de los botones\* de la televisión:**

1. Pulse [SOURCE].
2. Desplácese hacia arriba o hacia abajo con los botones VOL+/-VOL- hasta la entrada o fuente deseada.
3. Pulse [SOURCE] para cambiar la entrada o fuente a la seleccionada.

**b2) Uso de la palanca\* de control de la televisión:**

1. Pulse brevemente la palanca de control para entrar en el menú.
2. Mueva hacia abajo la palanca de control y desplace el cursor hasta el menú FUENTES.
3. Pulse brevemente la palanca de control para entrar en el menú FUENTES.
4. Seleccione la señal de entrada o fuente deseada con la palanca.
5. Pulse brevemente la palanca de control para cambiar la señal de entrada o fuente a la seleccionada.

\* - opcional

## Conexiones


Consulte la tabla de tipos de conectores para los diferentes modelos disponibles en la página 68.


 **USB**  
Entrada USB 2.0 - 1, 2; Entrada USB 3.0 - 3

 **HDMI 1, 2 (ARC), 3 in**  
Entrada HDMI 2.0 1, 2, 3

 **Lector de tarjeta SD**  
Entrada Tarjeta SD

 **R/L - Video & YPbPr audio In**  
Entrada de audio/video por componentes

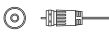
 **Video (CVBS)**  
Entrada de video

 **Component/YPbPr**  
Entrada HD

 **SCART**  
Entrada de Euroconector

 **CI Card IN**  
Entrada de CI


 **RF In**  
Entrada RF/antena de televisión

 **Sat In**  
Entrada de satélite

 **Digital Optical Audio Out**  
Salida óptica digital

 **RJ 45**  
Ethernet

 **HEADPHONES**  
Salida de auriculares de 3,5 mm

 **D-link**  
solo entrada de servicio

## Navegación por el menú de la televisión

Para acceder a este menú, pulse el botón [MENU] del mando a distancia. Para entrar en un menú, pulse [OK]. Si desea modificar alguno de los ajustes predeterminados, utilice los botones de desplazamiento (▲/▼/◀/▶). Para confirmar un ajuste, pulse el botón [OK]. Para salir de este menú en cualquier momento, pulse el botón [EXIT].

## Netflix

La principal red de televisión por Internet del mundo. Ofrece miles de películas y programas de televisión, incluidas series originales, documentales y largometrajes. Los abonados pueden reproducir, poner en pausa y reanudar lo que estén viendo, todo sin anuncios ni compromisos. Puede iniciar sesión en esta aplicación con su cuenta actual de Netflix. Si no tiene una cuenta de Netflix todavía, puede registrarse a través de esta aplicación o del sitio web de Netflix.

## YouTube

Aplicación para compartir videos que le permite descubrir y ver videos creados originalmente.

**NOTA:** Para que funcione la aplicación YouTube, es necesario configurar la fecha y la hora correctas en el televisor. Para obtener más información sobre la configuración de la fecha y la hora en el televisor, consulte el capítulo del menú HORA de la presente guía de usuario. Asegúrese de que su red no está bloqueando el acceso a YouTube y de que la velocidad de la conexión es lo suficientemente rápida para ver el contenido de YouTube.

## Más aplicaciones

Contiene las aplicaciones usadas de forma más habitual para facilitar y agilizar los accesos.

**AQUOS NET+** - abre el portal Sharp SMART.

**Weather** - AccuWeather, aplicación para conocer la previsión meteorológica.

**Navegador** - aplicación para acceder a los sitios web a través de Internet. Funciones de desplazamiento por el navegador:

- **CH+** - desplazarse una página adelante
- **CH-** - desplazarse una página atrás
- **Botón rojo** - mostrar u ocultar la barra de menú
- **Botón amarillo** - ampliar la imagen
- **Botón azul** - alejar la imagen

## FUENTES

Desde este menú puede cambiar la señal de entrada de la televisión a una fuente o dispositivo conectado diferente.

## Medios

**USB** - el modo multimedia permite reproducir los distintos contenidos guardados en un dispositivo de memoria USB. El contenido se dividirá en diversos tipos de archivo: fotografías, música y películas. La "Opción de archivo" le mostrará todos los tipos de contenido compatible y le permitirá reproducirlo.

1. Puede moverse por el menú con los botones de desplazamiento ▲/▼/◀/▶. Para confirmar el elemento que desee reproducir o visualizar, pulse el botón [OK].
2. Mientras esté visualizando contenido, puede controlar los modos de reproducción con los botones del mando a distancia o abriendo el menú de navegación de reproducción y seleccionando los botones de la pantalla ▲/▼/◀/▶ y [OK].

**NOTA:** No se recomienda utilizar cables alargadores USB, ya que pueden afectar a la calidad de las imágenes o del sonido o producir interrupciones durante la reproducción del contenido USB.

**Miracast\*** - permite ver contenido desde un teléfono inteligente o tablet en la pantalla de la televisión. La conexión inalámbrica se establece mediante Wi-Fi Direct, por lo que no es necesario una red Wi-Fi. Puede compartir contenido desde un teléfono inteligente o tableta basada en Android 4.4 o en un sistema más actual.

**Servidor multimedia** - busca automáticamente los servidores de medios digitales (DMS) conectados a su red doméstica y permite reproducir y presentar el contenido de servidores multimedia.

\* - **Esta función solo está disponible en teléfonos inteligentes y ordenadores portátiles seleccionados.**

## Imagen

**Modo de imagen** - puede escoger entre los siguientes preajustes.

- **Estándar** - ajustes predeterminados.
- **Película** - menor nivel de color y brillo
- **Personal** - permite modificar manualmente todos los ajustes
- **Eco** - consume un 15 % menos de energía.
- **Dinámico** - ajustes recomendados para imágenes en movimiento rápido

**Contraste** - alterna el equilibrio entre blancos y negros.

**Brillo** - aumenta o reduce el brillo de las imágenes.

**Color** - permite aumentar el color de negro a blanco.

**Nitidez** - permite aumentar o reducir la definición de las imágenes.

**Temperatura de color** - permite escoger los siguientes preajustes.

- **Normal** - ajuste predeterminado
- **Cálida** - permite aumentar el color rojo de las imágenes
- **Fría** - permite aumentar el color azul de las imágenes

**Relación de aspecto** - el formato de la imagen varía en función del canal o la emisión. Existen varias opciones diferentes para responder a sus necesidades.

- **Auto** - permite mostrar automáticamente el mejor formato de imagen. De forma que la imagen se encuentre en la posición correcta. Puede tener líneas negras en la parte superior e inferior.

- **4-3** - permite mostrar las imágenes 4-3 en su tamaño original.

Se muestran barras laterales para rellenar la pantalla 16-9.

- **16-9** - permite rellenar la pantalla con una señal 16-9 estándar.

- **Zoom 1/2** - La imagen tiene la proporción correcta pero ampliada para rellenar la pantalla.

- **Punto a punto (HDMI)** - permite mostrar la imagen en su resolución original sin ningún cambio.

- **Pantalla completa** - permite estirar la señal para rellenar la pantalla.

**Ajustes avanzados**

- **Reducción del ruido** - filtra y reduce el ruido (las interferencias) de la imagen.
- **Contraste activo** - optimiza automáticamente la "retroiluminación" y el "contraste" de la imagen de acuerdo con el brillo de la pantalla.

- **Retroiluminación** - permite ajustar el brillo de la pantalla aumentando o reduciendo la retroiluminación del panel.

- **Gamma** - permite ajustar los tonos entre las partes brillantes y oscuras de la imagen.

- **Rojo** - permite ajustar el tono rojo de la imagen.

- **Verde** - permite ajustar el tono verde de la imagen.

- **Azul** - permite ajustar el tono azul de la imagen.

## Sonido

**Modo de sonido** - permite seleccionar entre los siguientes preajustes

- **Estándar** - ajustes predeterminados
- **Música** - realiza la música sobre las voces
- **Película** - proporciona sonido en directo y envolvente para las películas.
- **Personal** - permite seleccionar los ajustes de sonido personales.
- **Deportes** - realiza el sonido para eventos deportivos.

**Ecuilizador** - ajusta el volumen de las distintas frecuencias de sonido. Los niveles de sonido del ecualizador solo se pueden ajustar cuando se ha seleccionado el modo de sonido "Personal".



## Auriculares

- **Altavoces+televisión** - permite reproducir sonido desde los altavoces del televisor y los auriculares a la vez.
  - **Volumen** - permite ajustar el volumen de los auriculares.
- Balance** - permite ajustar el sonido entre el altavoz izquierdo y el derecho.
- Volumen automático** - mantiene el volumen a un nivel constante con independencia de la entrada o fuente.

**DTS TruSurround** - permite activar o desactivar el efecto de sonido envolvente.

**Salida digital** - esta es la salida de audio digital.

Escija una de las siguientes opciones

- **Desactivado** - desactivado.
- **Auto** - permite seleccionar los mejores ajustes automáticamente.
- **PCM** - seleccione esta opción si conecta la televisión a un sistema de estéreo de alta fidelidad a través de un cable digital (la modulación por impulsos codificados [PCM] es una representación digital de una señal analógica).

**Audiodescripción** - pista sonora adicional para personas con deficiencias visuales. Disponible solo para programas de televisión digital concretos.

**Volumen AD** - permite ajustar el volumen de la pista sonora de audiodescripción.

**Pista de audio** - permite seleccionar diferente audio/idioma para la televisión digital o los medios.

**Retardo de audio (ms)** - permite ajustar el sonido para sincronizar las imágenes y el audio en los altavoces de la televisión.

**Retardo SPDIF (ms)** - permite ajustar el sonido para sincronizar las imágenes y el audio de los altavoces conectados a través de una salida de audio digital.

## AJUSTES

### CANAL

**Antena DVB** - permite establecer el tipo de señal de televisión digital.

- **Terrestre** - terrestre (DVB-T).
- **Cable** - cable (DVB-C).

**Sintonización automática** - permite volver a sintonizar todos los canales digitales y analógicos, así como todas emisoras de radio de la televisión.

**Sintonización manual analógica** - permite ajustar manualmente la señal analógica.

**Sintonización manual digital** - permite sintonizar manualmente la señal digital.

**Editar programa** - permite eliminar, saltar y agregar canales favoritos.

- **Botón rojo** - permite eliminar el canal seleccionado.
  - **Botón azul** - permite mover el canal seleccionado. Utilice el cursor para seleccionar el canal que desea desplazar a una posición diferente y pulse el botón AMARILLO. A continuación, mueva el canal seleccionado con la flecha ARRIBA/ABAJO a la posición deseada y vuelva a pulsar el botón AMARILLO para confirmar su posición en la lista del canal
  - **Botón azul** - permite omitir el canal seleccionado
- Los canales seleccionados para omitirse no se mostrarán al pulsar los botones CH+ o CH-.

**Inform. de señal** - ofrece información sobre la señal DVB.

**Información CI** - los servicios de pago por visión requieren insertar una tarjeta inteligente en la televisión. Si suscribe un servicio de pago por visión, el proveedor le proporcionará un módulo de acceso condicional y una tarjeta inteligente. El módulo de acceso condicional se puede insertar en el puerto de interfaz común (entrada de tarjeta CI).

**Ordenar por LCN** - establezca LCN en Activado si desea organizar los canales en función del proveedor (solo se aplica a los canales DVB-T y DVB-C).

**Actualización automática de canales** - si activa esta opción, el proveedor actualizará periódicamente la posición, los nombres y las frecuencias de los canales. Esta opción puede originar problemas si ordenó por sí mismo los canales de la lista de canales. Si este es el caso, le recomendamos que mantenga esta opción desactivada.

**Registro de programas grabados\*** - lista de programas de televisión grabados.

**Lista de programación** - lista de los recordatorios de programas.

**Configuración de antena parabólica** - este menú solo está disponible en modo DVBS-S2. Puede seleccionar el tipo de satélite, el transponder, el tipo de LNB, etc.

**OAD (actualización de software)** - active o desactive las actualizaciones de software OAD (descarga inalámbrica).

**\* - solo para los dispositivos con función PVR integrada**

### RED

**Configuración de red** - primero tendrá que seleccionar su tipo de conexión. Puede elegir entre una conexión Wi-Fi o una conexión con cable.

**NOTA:** Para conectarse a Internet con una conexión por cable, debe conectar un cable Cat 5/Ethernet (no incluido) del televisor a su módem o router de banda ancha.

**Configuración IP** - ajustes de conexión de red LAN.

– **Automático** - conectará automáticamente el televisor a su red doméstica (este es el ajuste predeterminado y se recomienda encarecidamente).

– **Manual** - le permite cambiar manualmente la información de IP, Netmask, Gateway y DNS.

**Configuración Wi-Fi** - ajustes de conexión a la red inalámbrica.

- **Auto-búsqueda Wi-Fi** - busca automáticamente las redes inalámbricas disponibles. Seleccione la red Wi-Fi que desee y, a continuación, introduzca la contraseña de red (si la red estuviera protegida con una contraseña). Una vez aceptada la contraseña, no se le volverá a pedir.

**NOTA:** El proceso de conexión puede tardar unos minutos, debe tener paciencia. Cada vez que se encienda el televisor posteriormente, se conectará automáticamente a la red, lo que también puede tardar un poco.

**Información de red** - información sobre los ajustes de red.

**Prueba de red** - una prueba de conexión a la red.

### Hora

**Sincronización automática** - establece automáticamente la hora y la fecha en el televisor. Requiere que el televisor esté sintonizado con una señal digital o con una conexión de Internet. Desactiva la función de sincronización automática para ajustar manualmente la configuración de la fecha y la hora. Si la función de sincronización automática está desactivada con el tiempo y la fecha manualmente ajustados, esta información se restablecerá cuando se desconecta la alimentación al televisor.

**Reloj** - muestra la fecha y la hora. Puede ajustarse cuando la función sincronización automática se desactiva.

**Hora de apagado** - permite establecer una hora específica para apagar la televisión.

**Hora de encendido** - permite establecer una hora específica para encender la televisión, el canal que se mostrará, la fuente y el volumen. Esta función puede configurarse para que se repita todos los días o un determinado día.

**Temporizador** - permite establecer el temporizador para que la televisión se apague automáticamente en un periodo de tiempo establecido. Apagado -> 10 min -> 20 min -> 30 min -> 60 min -> 90 min -> 120 min -> 180 min -> 240 min.

**Tiempo de OSD** - permite ajustar la cantidad de tiempo que permanece el menú en pantalla antes de desaparecer.

**Apagado autom.** - permite ajustar el modo en espera automático en incrementos de horas - Apagado -> 3 h -> 4 h -> 5 h.

**Huso horario** - permite cambiar la zona horaria actual.

### BLOQUEAR

**Bloquear sistema** - permite bloquear y desbloquear el menú. Se le pedirá que introduzca una contraseña de 4 dígitos. Utilice el botón ◀ para saltar la introducción de contraseña. Utilice el botón ▶ para borrar. La contraseña predeterminada es 0000.

**Intr. Contraseña** - permite cambiar la contraseña predeterminada.

**Bloquear programa** - bloquea canales específicos de televisión.

**Control paterno** - bloquea canales de televisión en función del límite de edad.

**Bloqueo de teclas** - le permite bloquear la palanca de control del televisor en la parte posterior del aparato.

**Bloqueo fuente** - le permite ocultar señales de entrada seleccionadas del menú de fuente.

**Modo Hotel** - ajustes avanzadas para hoteles.

### CONFIGURACIÓN

**Idioma** - permite cambiar el idioma del menú.

**Idiomas del audio** - permite cambiar el idioma del audio en canales DVB concretos.

**Idioma para subtítulos** - permite cambiar el idioma de los subtítulos en canales DVB concretos.

**Ayuda para sordos** - si la señal proporciona servicio para deficientes auditivos, se podrán mostrar los subtítulos pulsando Subtítulos. Si establece Ayuda para sordos en Activado y selecciona un canal con servicio para deficientes auditivos, los subtítulos se activarán automáticamente.

**Pantalla azul** - cambia el fondo cuando no hay señal entre fondo transparente y azul (solo disponible en algunas fuentes).

**Sistema de archivos PVR** - opciones de grabación PVR\*

- **Selección de disco** - permite seleccionar el puerto USB y la partición del disco
- **Tamaño del Timeshift** - permite establecer el tamaño de la memoria intermedia de la pausa en directo.
- **Formatear** - permite formatear un dispositivo de almacenamiento USB conectado al sistema de archivos FAT 32.

**ADVERTENCIA: SE ELIMINARÁN TODOS**

**LOS DATOS DEL DISPOSITIVO USB**

- **Velocidad** - prueba la velocidad de escritura de los dispositivos de almacenamiento USB.

\*  **solo para los dispositivos con función PVR integrada**

**Primera instalación** - inicia la primera instalación.

**Actualizar el software (USB)** - periódicamente publicamos nuevo firmware para mejorar el funcionamiento de la televisión (disponible para descarga). Este menú permite instalar el nuevo software o firmware en la televisión. Junto al firmware se publicarán instrucciones adicionales para su instalación. Póngase en contacto con el servicio de atención al cliente y consulte el sitio web [www.sharp.eu/av](http://www.sharp.eu/av).

**Actualización de software (NET)** - permite actualizar el software del televisor a través de Internet. Esta función buscará nuevo software y lo actualizará cuando sea necesario.

**NOTA:** El televisor buscará automáticamente nuevas versiones de software cada vez que se conecte. Si encuentra nuevo software, le preguntará si desea descargarlo e instalarlo. Si selecciona "Sí", el televisor se actualizará con el software más reciente.

**ADVERTENCIA:** No debe desconectar el televisor hasta que la actualización haya finalizado.

**Restablecer predeterminados** - permite restablecer los menús a los ajustes de fábrica.

**HDMI CEC\*** - permite utilizar los dispositivos conectados a través de la conexión HDMI con el mando a distancia.

- **Lista de dispositivos\*** - permite acceder al menú de dispositivos y utilizar el menú mediante el mando a distancia de la televisión.
- **HDMI CEC** - active o desactive la función HDMI CEC.
- **Apagado autom.\*** - apaga o enciende automáticamente los dispositivos conectados a través de HDMI CEC.
- **HDMI ARC\*** - envía una señal de audio desde la emisión terrestre o por satélite al receptor AV sin utilizar cables de audio adicionales; esta función solo está disponible en la salida HDMI 2.

\* **El dispositivo conectado debe ser compatible con HDMI CEC.**

**HDMI EDID** - transmite los ajustes del televisor (resolución, compatibilidad de audio, etc.) directamente a los dispositivos conectados a través de HDMI. Esta función permite cambiar los modos de entrada de señal HDMI entre HDMI y HDMI2.0.

- **Estándar** - recomendado si el televisor está conectado a un dispositivo con una salida HDMI 1.4 o inferior, por ejemplo, un reproductor Full HD Blu-Ray, un reproductor DVD o una consola de juego.
- **Mejorado** - recomendado si el televisor se conecta a un dispositivo con una salida HDMI 2.0, por ejemplo un reproductor Blu-ray 4K o un PC moderno.

**Estado del LED** - permite activar o desactivar la luz del indicador LED de corriente, cuando se utiliza la televisión. (Si esta opción está desactivada, la luz del indicador LED de corriente parpadeará cuando se utiliza el mando a distancia).

**HbbTV** - permite al usuario activar y desactivar HbbTV. Para utilizar HbbTV, la televisión debe estar conectada a Internet y el canal seleccionado debe admitir el servicio HbbTV.

**Versión de software** - muestra la versión del software de la televisión.

**Edición de fuente** - le permite cambiar manualmente el nombre de los elementos de su lista de fuentes de entrada. Por ejemplo, puede cambiar el nombre de las entradas con el nombre de los dispositivos conectados.

## AQUOS NET+

AQUOS NET+ permite disfrutar de diferentes aplicaciones o navegar por la Web en la televisión AQUOS LCD. Para acceder al menú AQUOS NET+ en cualquier momento, pulse el botón NET+ del mando a distancia o selecciónelo en el menú Más aplicaciones.

**NOTA:** Espere mientras el televisor se conecta a la red Wi-Fi. Es posible que tarde unos minutos después de encender el televisor.

Muévase por el menú mediante los botones de desplazamiento

▲/▼/◀/▶. Para confirmar el elemento que desee reproducir o visualizar, pulse el botón [OK]. Para retroceder "un paso", pulse el botón [Menu] y para acceder a más funciones utilice los botones de colores. Para salir de AQUOS NET+ pulse el botón [EXIT].

**Inicio** - pantalla inicial con recomendaciones de películas y las aplicaciones abiertas recientemente.

**Todas las** - abre una lista de aplicaciones disponibles.

**Películas** - abre una lista de películas disponibles.

**Televisión** - abre una lista de programas de TV disponibles.

**Música** - abre una lista de música y videos musicales disponibles.

**Juegos** - lista de juegos y aplicaciones relacionadas con juegos

**Deportes** - lista de aplicaciones relacionadas con juegos.

**Noticias** - lista de aplicaciones de noticias.

**Buscar** - función que permite buscar aplicaciones introduciendo su nombre (total o parcialmente).

**Favoritos** - si agrega aplicaciones a la lista "Favoritos", podrá acceder rápidamente a sus favoritas. Para agregar una aplicación a la lista, resalte simplemente la deseada y pulse el botón verde; a continuación, la aplicación aparecerá en su lista "Favoritos". Para eliminar una aplicación no deseada de la lista "Favoritos", debe resaltar la aplicación que desea eliminar y pulsar el botón verde.

**Ajustes** - el menú de ajustes le permite cambiar el idioma del portal Aquos NET+, configurar un filtro para aplicaciones específico del idioma seleccionado y restablecer todos los ajustes de usuario a la configuración predeterminada.

**RESTABLECER LOS AJUSTES DE USUARIO:** Si desea restablecer todos los ajustes de usuario de AQUOS NET+, debe acceder al menú de ajustes del portal y seleccionar "Reiniciar el dispositivo". Seleccione Sí con el cursor y pulse OK en el mando a distancia para confirmar el restablecimiento de los ajustes.

**NOTA:** Estamos mejorando nuestros productos para satisfacer las exigencias de nuestros clientes. Como resultado de nuestro esfuerzo constante, se irán agregando continuamente nuevas aplicaciones a AQUOS NET+. Las aplicaciones y el contenido de AQUOS NET+ se podrán modificar sin aviso previo. Es posible que parte de las aplicaciones y del contenido no estén disponibles en su país.

## Guía de televisión de 7 días

La guía de televisión está disponible en el modo de televisión digital. Proporciona información sobre programas próximos (cuando lo admite el canal digital). Puede ver la hora de inicio y la hora de finalización de todos los programas y en todos los canales durante los próximos 7 días y establecer recordatorios.

1. Pulse [TV GUIDE]. Aparecerá la guía de televisión de los siguientes 7 días.

2. Navegue a través del menú utilizando ▲/▼/◀/▶.

**Ahora puede:**

Grabar canales y programas de televisión concretos pulsando el botón ROJO.\*

recordatorio pulsando el botón VERDE.

Para ver un día anterior, pulse el botón AMARILLO.

Para ver el día siguiente, pulse el botón AZUL.

[INFO] muestra información detallada sobre el elemento seleccionado.

3. Pulse [EXIT] para salir de la guía de televisión de 7 días.  
\* - solo para modelos con función de grabación Establezca el

## Grabación USB - Modo digital\*

La televisión integra una función de grabación USB. Esta función está disponible en modo Digital cuando se usa junto a una memoria extraíble o disco duro USB. Esta función ofrece las siguientes ventajas:

- Poner en pausa las imágenes en directo y volver a reproducir, avanzar en modo rápido y rebobinar en modo rápido (hasta las imágenes en directo).
- Un botón de grabación, si decide que desea grabar el programa actual.
- Grabación programable sencilla desde la guía de televisión de 7 días.

Por la naturaleza del producto, es preciso utilizar una memoria extraíble USB de alta velocidad (debido a que la televisión lee y escribe en la memoria extraíble a la misma velocidad, hay memorias extraíbles que no son adecuadas).

Especificación mínima - Memoria extraíble USB

- **Velocidad de lectura** - 20 Mb/s (megabytes por segundo)
- **Velocidad de escritura** - 6 Mb/s (megabytes por segundo)

Poner en pausa la televisión en directo (función de pausa en directo)\*

La acción de poner en pausa la televisión en directo es muy sencilla.

- Pulse el botón de reproducción/pausa y la televisión se pondrá en pausa y el contenido en directo se grabará. Para volver a ver el contenido, pulse el botón de reproducción/pausa de nuevo.
- Pulse avance rápido para avanzar en la grabación (p. ej., para saltar los anuncios).
- Pulse rebobinado rápido para retroceder en la grabación (p. ej., si avanzó demasiado).

**CONSEJO:** Si activa el modo en espera de la televisión o cambia de canal, la memoria de pausa en directo se eliminará. Para reiniciar la función de pausa en directo, debe pulsar el botón reproducción/pausa.

## Grabación con un botón

Si lo desea, puede grabar el canal actual que está viendo. Para ello necesita pulsar el botón [REC].

**CONSEJO:** La televisión contiene un sintonizador de televisión,

por lo que solo puede grabar el canal que está viendo o grabar un canal mientras la televisión se encuentra en modo en espera.

**NOTA:** La función de grabación USB solo se encuentra disponible en el modo de televisión digital. Debido a las leyes de propiedad intelectual y de copia y grabación ilegal, no es posible grabar desde o hacia ninguna otra fuente de entrada o salida.

\* - solo para los dispositivos con función PVR integrada

## HDR (Alto rango dinámico)

El vídeo HDR elimina varias de las limitaciones de las señales de vídeo estándar y muestra las imágenes creadas a partir de un espectro más amplio de color y brillo.

**NOTAS:**

- La función HDR se activará automáticamente si se detecta una señal HDR, siempre y cuando el EDID HDMI se haya establecido en el valor de "Mejora" en el menú de CONFIGURACIÓN.
- Este televisor puede visualizar contenido HDR desde conexiones HDMI o USB.
- Si la conexión se realiza a través de uno de los puertos HDMI, el dispositivo externo también debe admitir HDR y HDMI2.0, y debe estar reproduciendo contenido masterizado en HDR.
- Este dispositivo no admite contenido HDR procedente de aplicaciones internas como Netflix o YouTube.

## Ficha de producto

Marca comercial	
Modelo	LC-50UI7222E LC-50UI7322E LC-50UI7422E
Clase de eficiencia energética	A+
Tamaño de pantalla visible (diagonal)	50" / 127cm
Consumo de energía en modo conectado	70,0 W
Consumo de energía anual*	102 kWh
Consumo de electricidad en espera**	<0,50 W
Consumo de electricidad en modo apagado	N/A
Resolución de la pantalla	3840 (H) x 2160 (V)

\* - Consumo de energía XYZ kWh al año, basado en el consumo de electricidad de la televisión en funcionamiento durante 4 horas al día, 365 días a la semana. El consumo de energía real dependerá del uso que se haga de la televisión.

\*\* - cuando la televisión se apaga con el mando a distancia y no existe ninguna función activa

## Instruções de segurança importantes



**Por favor, leia estas instruções de segurança importantes e respeite os seguintes avisos antes de pôr o aparelho em funcionamento:**

**De modo a prevenir incêndios, mantenha velas e outras chamas abertas sempre longe deste produto.**



- Tente evitar danos no cabos de alimentação e no adaptador de alimentação. O aparelho só pode ser ligado com o cabo/adaptador de alimentação.
- Trovoadas são perigosas para todos os aparelhos elétricos. Se o cablamento de alimentação ou da antena for atingido por um raio, o aparelho pode ficar danificado, mesmo se estiver desligado. Deve desligar todos os cabos e conectores do aparelho antes de uma trovoada.
- Para limpar o ecrã do aparelho, use apenas um pano suave e húmido. Use apenas água limpa, nunca detergentes e em nenhuma situação solventes.
- Coloque o televisor perto da parede para evitar a possibilidade de cair quando empurrado.
- AVISO - Nunca coloque um televisor num local instável. Um televisor pode cair, provocando lesões pessoais graves ou morte. Muitas lesões, particularmente em crianças, podem ser evitadas ao tomar precauções simples, como:
  - Use compartimentos ou suportes recomendados pelo produtor do televisor.
  - Use apenas mobília que possa suportar de forma segura o televisor.
  - Certifique-se de que o televisor não está suspenso na ponta da mobília de apoio.
- Não coloque o televisor em móveis altos (por exemplo, louceiros ou estantes) sem prender quer o móvel, quer o televisor a um suporte adequado.
- Não coloque o televisor em cima de panos ou outros materiais que possam encontrar-se entre o televisor e o móvel de apoio.
- Eduque as crianças em relação aos perigos de trepar a móveis para chegar ao televisor ou aos seus comandos.
- Certifique-se de que crianças não irão trepar ou pendurar-se no televisor.
- Se mantiver e mudar de sítio o seu televisor existente, as indicações acima referidas devem ser na mesma aplicadas.
- As instruções apresentadas em seguida consistem num modo mais seguro de colocar o televisor, prendendo-o à parede e evitarão a possibilidade desta cair para a frente e provocar lesões e danos.
- Para este tipo de instalação precisará de um cabo de fixação.
  - A) Ao usar um/ambos os furos e parafusos superiores de montagem à parede (os parafusos já se encontram fornecidos nos furos de montagem à parede), fixe uma ponta do/s cabo/s de fixação ao televisor.
  - B) Fixe a outra ponta do/s cabo/s de fixação à sua parede.
- O software no seu televisor e o layout OSD podem ser alterados sem notificação.
- Nota: Em caso de descarga eletroestática (ESD), o aparelho pode apresentar a função incorreta. Nesse caso, desligue e volte a ligar o televisor. O televisor funcionará normalmente.

### Aviso:

- Não use o televisor imediatamente após desembalá-lo. Aguarde até o televisor aquecer até à temperatura da divisão antes de o usar.
- Nunca ligue nenhum dispositivo externo a um aparelho em funcionamento. Desligue não só o televisor, mas também os dispositivos que estão a ser ligados! Ligue a ficha do televisor à tomada de parede depois de ligar alguns dispositivos externos e a antena!
- Certifique-se sempre de que a ficha de alimentação do televisor tem fácil acesso.
- O aparelho não foi projetado para ser usado num local de trabalho com monitores.
- O uso sistemático de auscultadores com um volume elevado pode levar a danos auditivos irreversíveis.
- Certifique-se de que elimina este aparelho e os seus componentes, incluindo pilhas, de uma forma amigável ao ambiente. Em caso de dúvida, contacte a sua autoridade local para mais pormenores sobre a reciclagem.
- Ao instalar o aparelho, não se esqueça de que as superfícies do mobiliário são tratadas com diversos vernizes, plásticos, etc., ou podem estar polidas. Os químicos contidos nestes produtos podem fazer reação com o suporte do televisor. Isto pode fazer com que pedaços do material se

colem à superfície do mobiliário, o que será difícil de remover, se não mesmo impossível.

- O ecrã do seu televisor foi produzido em condições de qualidade de topo e foi verificado várias vezes ao pormenor para detetar pixels danificados. Devido às propriedades tecnológicas do processo de manufatura, não é possível eliminar a existência de um pequeno número de pontos defeituosos no ecrã (mesmo com o maior cuidado durante a produção). Estes pixels defeituosos não se consideram um defeito em termos de condições de garantia, caso a sua dimensão não exceda os limites definidos pela norma DIN.
- O produtor não pode ser responsabilizado por questões relacionadas com o apoio ao consumidor relativo a conteúdos ou serviços de terceiros. Quaisquer questões, comentários ou consultas relacionadas com o apoio ao cliente, relativos a conteúdos ou serviços de terceiros, devem ser feitos diretamente ao fornecedor do conteúdo ou serviço aplicável.
- Existe uma variedade de motivos pelos quais pode ser impossível aceder a conteúdos ou serviços do dispositivo não relacionados com o próprio dispositivo, incluindo, mas não limitado a, falhas de energia, a ligação à Internet ou uma falha na correta configuração do seu dispositivo. A Universal Media Corporation, os seus diretores, funcionários, empregados, agentes, contratores e afiliados não serão responsabilizados por si, nem por terceiros, em relação a tais falhas ou interrupção da manutenção, independentemente da causa, ou caso isso possa ter sido evitado ou não.
- Todos os conteúdos ou serviços de terceiros acessíveis através deste dispositivo são fornecidos "tal como se apresentam" e "como são disponibilizados" e a Universal Media Corporation e os seus associados não lhe fazem nenhuma garantia ou representação de qualquer espécie, seja expressa ou implícita, incluindo, sem limitação, quaisquer garantias de conveniência, disponibilidade, precisão, integridade, segurança, título, utilidade, falta de negligência, ou falta de erros, ou funcionamento sem interrupções, ou uso dos conteúdos ou serviços fornecidos, ou que o conteúdo ou serviços cumpram os requisitos ou exigências.
- A "Universal Media Corporation" não é um agente de e não assume responsabilidade pelos atos ou omissões de terceiros fornecedores de conteúdos ou serviços, nem por nenhum aspeto do conteúdo ou serviço relacionado com tais terceiros fornecedores.
- Em nenhum caso a "Universal Media Corporation" e/ou os seus afiliados serão responsabilizados, nem nenhuns terceiros por quaisquer danos diretos, indiretos, especiais, acidentais, punitivos, concomitantes ou quaisquer outros, quer a teoria da responsabilidade seja baseada em contrato, delito, negligência, violação da garantia, responsabilidade estrita ou caso contrário, e caso a Universal Media Corporation e/ou os seus afiliados tenham ou não sido avisados da possibilidade de tais danos.

## Informação importante sobre o uso de jogos de vídeo, computadores, legendas e outras imagens fixas apresentadas.

- A utilização prolongada de materiais de programas de imagem fixa pode provocar uma "imagem sombria" permanente no ecrã LCD (isto é por vezes indicado de forma errónea como "ecrã queimado"). Esta imagem sombria fica então permanentemente visível no ecrã e no fundo. É um dano irreversível. Pode evitar este dano procedendo de acordo com as seguintes instruções:
- Reduza o brilho/contraste para um nível mínimo para ver televisão.
- Não apresente a imagem fixa durante um período longo. Evite a apresentação de:
  - » Tempo e tabelas de teletexto,
  - » Menu da TV/DVD, por ex., os conteúdos do DVD,
  - » No modo de "Pausa" (parado): Não use este modo durante muito tempo, por ex., quando estiver a ver um DVD ou o vídeo.
  - » Desligue o aparelho se não o estiver a usar.

## Pilhas

- Observe a polaridade correta ao inserir as pilhas.
- Não exponha as pilhas a temperaturas elevadas e não as coloque em locais onde a temperatura possa aumentar rapidamente, por ex., perto de fogo ou à luz solar direta.

- Não exponha as pilhas a calor radiante excessivo, não as atire para o fogo, não as desmonte e não tente carregar baterias não recarregáveis. Pode ocorrer vazamento ou explosão.
  - » Nunca use pilhas diferentes em conjunto, nem misture novas com velhas.
  - » Elimine as pilhas de forma amigável ao ambiente.
  - » A maioria dos países da UE tem regulamentos legais sobre a eliminação de pilhas.



## Eliminação

- Não elimine este televisor como lixo municipal não segregado. Devolva-o no ponto de recolha para reciclagem de REEE designado. Ao fazê-lo estará a ajudar a conservar recursos e a proteger o ambiente. Contacte o seu revendedor ou as autoridades locais para mais informações.



## Declaração CE:

- Pelo presente, a UMC Poland Sp. z o.o. declara que esta TV LED encontra-se em conformidade com os requisitos essenciais e outras disposições relevantes da Diretiva RED 2014/53/EU. O texto completo referente à declaração de conformidade da UE está disponível na ligação <https://www.sharpconsumer.eu/documents-of-conformity/> Este equipamento pode ser utilizado em todos os países da UE. A função WLAN 5 GHz (Wi-Fi) deste equipamento só pode ser utilizada em espaços interiores. Potência máx. do transmissor Wi-Fi: 100mW a 2,412 GHz – 2,472 GHz; 5,150 GHz – 5,350 GHz; 5,470 GHz – 5,725 GHz

## Marcas registadas

Os termos HDMI e HDMI High-Definition Multimedia Interface, e o logótipo HDMI são marcas ou marcas registadas da HDMI Licensing, LLC nos Estados Unidos e outros países.

O logótipo "DIGITALEUROPE UHD Display" é uma marca registada da DIGITALEUROPE.

O logótipo DVB é marca registada do projeto Digital Video Broadcasting - DVB.

Fabricado sob licença da Dolby Laboratories. Dolby, Dolby Audio e o símbolo duplo D são marcas registadas da Dolby Laboratories.

Para patentes DTS, ver <http://patents.dts.com>. Produzido sob licença da DTS Licensing Limited. DTS, o símbolo e DTS e o símbolo em conjunto são marcas registadas. DTS Studio Sound é uma marca registada da DTS, Inc. © DTS, Inc. Todos os direitos reservados.

YouTube e o logótipo YouTube são marcas registadas da Google Inc

O logótipo Wi-Fi CERTIFIED é uma marca de certificação da Wi-Fi Alliance

Wi-Fi CERTIFIED Miracast e Miracast são marcas comerciais da Wi-Fi Alliance

DLNA, o logótipo DLNA e DLNA CERTIFIED são marcas comerciais, marcas de serviço ou marcas de certificação da Digital Living Network Alliance.

Harman Kardon é uma marca da HARMAN International Industries, Incorporated, registada nos Estados Unidos e/ou em outros países.

## O que se encontra incluído na caixa

### Este televisor inclui as seguintes peças:

- |  |   |
|--|---|
| • 1x Televisor   | • 1x Pacote de instalação do suporte do televisor |
| • 1x Telecomando   | • 1x Manual do utilizador                         |
| • 2x Pilhas AAA  |   |
| • 1x Kit de montagem à parede (4x M6x35 parafuso e 4x espaçador de plástico) |   |

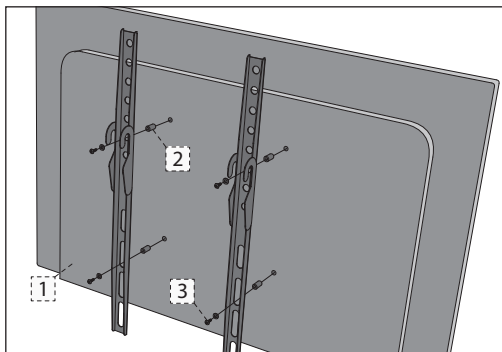
## Montagem do suporte

Siga as instruções da última página deste manual do utilizador.

## Montagem do televisor à parede

1. Retire os quatro parafusos fornecidos dos furos de montagem à parede.
2. O suporte de parede pode agora ser facilmente preso aos furos de montagem da parte de trás do televisor.
3. Instale o suporte de parede ao televisor como indicado pelo produtor do suporte.

Quando prender as braçadeiras de montagem à parede do modelo com 50", recomendamos que, em vez dos parafusos fornecidos nos furos de montagem à parede do televisor, use os parafusos mais compridos e espaçadores incluídos no pacote de acessórios. Coloque os espaçadores nos furos de montagem à parede do televisor situados na parte de trás deste e em seguida coloque nestes as braçadeiras de parede. Prenda as braçadeiras e os espaçadores ao televisor com parafusos mais compridos como apresentado em baixo:



1. **TELEVISOR**
2. **ESPAÇADOR**
3. **PARAFUSO**

**NOTA:** O televisor e o tipo de braçadeiras da parede apresentados no diagrama servem apenas para efeitos de ilustração.

## Iniciar - definição inicial

1. Ligue o televisor à tomada de parede da antena usando um cabo RF.
2. Para se ligar à Internet com uma ligação com fios, ligue um cabo Cat 5/Ethernet (não incluído) da TV até ao seu modem/router de banda larga.

3. Ligue o cabo de alimentação à parte traseira do televisor e ligue-o à tomada elétrica.
4. Insira as pilhas fornecidas no telecomando.
5. Depois, carregue no botão Stand-by para ligar o televisor.
6. Será recebido pelo ecrã de **Primeira Instalação**. Caso este não apareça, pegue no telecomando e carregue [MENU] e em seguida 8-8-8-8, e o menu aparecerá. Se desejar alterar alguma das definições standard, use os botões de navegação ▲/▼/◀/▶. Para sair deste menu em qualquer momento, carregue no botão [SAIR].

### 7. Por favor, aplique as definições desejadas no ecrã de PRIMEIRA INSTALAÇÃO.

**PASSO 1** - Definir o idioma no Menu da TV.

**PASSO 2** - Definir o seu país.

**PASSO 3** - Definir o tipo de ligação à rede. Se desejar saltar este passo e ligar a TV a uma rede mais tarde, selecione Saltar definição da rede

**PASSO 4** - Selecionar a localização da TV. Par uso doméstico, selecione Casa. Para demonstração em loja, selecione Loja.

**PASSO 5** - Indique se a sua TV tem um apoio, ou se está presa à parede. A TV irá definir as melhores definições de som para a opção selecionada.

**PASSO 6** - Escolha a fonte de entrada que deseja usar. Se tem um cabo RF ligado diretamente à TV, selecione DTV. Se tiver um satélite ligado diretamente à TV, selecione DVB-S\*. Se estiver a usar um descodificador, selecione a entrada correta da TV a que está ligado.

8. Se no último passo selecionou DTV ou DVB-S2, irão perguntar-lhe se deseja sintonizar canais. Se escolher "Não", pode sintonizar os canais mais tarde no menu CONFIGURAÇÃO/CANAL. Se escolher "Sim", aparecerá o menu para sintonizar.

**Sintonia de TV Digital (DTV):** Com antena DVB, escolha o tipo de sinal que tem. Terrestre (DVB-T) ou cabo (DVB-C). Depois, entre em Sintonização Automática e aplique as definições desejadas. Volte a escolher Sintonização Automática para começar a sintonizar canais.

**Sintonia de satélite (DVB-S2):** Entre em Sintonização Automática e entre em Satélite. Aqui pode escolher entre diversos satélites. Selecione o satélite que deseja sintonizar carregando no botão OK no telecomando. Em seguida, volte ao menu anterior carregando no botão VOLTAR no seu telecomando e escolha Sintonização Automática para começar a sintonizar canais.

**NOTA:** Para reduzir o tempo de sintonia dos canais de satélite, alguns países pré-instalaram uma lista de canais dos satélites mais populares da região. Se for este o caso do país que selecionou, irão perguntar-lhe se deseja carregar a lista de canais pré-instalada. Se escolher "Sim", a lista de canais de satélite será importada para a sua TV dentro de segundos.

**DICA:** Se lhe faltarem canais, o motivo para tal é provavelmente a força do sinal. Considere a ligação de um amplificador do sinal e volte a sintonizar o televisor.

## Telecomando

1. **⏻ STAND-BY** – Liga o televisor quando está em modo de espera (stand-by) ou vice-versa.
2. **🔇 MUTE** – Silencia o som ou vice-versa.
3. **0-9** – para selecionar diretamente um canal de televisão.
4. **TV GUIDE** – Abre o Guia de TV de 7 dias (Modo digital).
5. **⏪** – Para regressar ao último canal visto.
6. **PICTURE** – Para percorrer as opções do modo imagem.
7. **VOL ▲/▼** – Para aumentar / diminuir o nível de som.
8. **CH ▲/▼** – Para avançar ou retroceder o canal a ser visto.
9. **SOUND** – Para percorrer as opções do modo de som.
10. **SOURCE** – Para apresentar o menu de entrada/fonte.
11. **MENU** – Para apresentar o menu OSD.
12. **EXIT** – Para sair de todos os menus.
13. **(▲/▼/◀/▶/OK)** – Permite-lhe navegar nos menus do ecrã e adaptar as definições do sistema às suas preferências.
14. **BACK** – Voltar ao menu anterior.
15. **FAV** – Para apresentar o menu de favoritos.

16. **INFO** – Carregue uma vez para informação sobre o canal presente/proxímo. Carregue duas vezes para informação sobre a programação atual.
17. **TEXT** – Modo de teletexto - Para entrar no teletexto.
18. **SUBTITLE** – Para mudar o diálogo no fundo do ecrã (ligado/desligado).
19. **TV** – Muda para uma fonte de televisão digital.
20. **YouTube** – Apresenta a aplicação YouTube.
21. **NETFLIX** – Apresenta a aplicação NETFLI.
22. **NET+** – Apresenta o menu AQUOS NET+.
23. **Rec<sup>1</sup>** – Gravação PVR.
24. **⏮** – Para reiniciar o presente capítulo.
25. **⏭** – Para avançar para o próximo capítulo.
26. **■** – Para parar a reprodução.
27. **Lista Rec<sup>1</sup>** – Abre a lista de gravações.
28. **⏮** – Para reproduzir em modo de retroceder rápido.
29. **⏭** – Para reproduzir em modo de avançar rápido.
30. **⏸** – Para reproduzir/pausar.
31. **BOTÕES DE CORES** – Funções de teletexto e OSD adicionais.
- <sup>1</sup> - disponível apenas com a função de PVR

## Botões\* de televisão

**VOL+** Volume mais alto e menu à direita

**VOL-** Volume mais baixo e menu à esquerda

**CH+** Programa/Canal seguinte e menu para cima

**CH-** Programa/Canal anterior e menu para baixo

**MENU** Apresenta o menu/OSD

**SOURCE** Apresenta o menu de fontes de entrada

**STANDBY** Modo de espera Ligado/Desligado

\* - para televisores com botões

## Manípulo\* de controle do televisor

O manípulo de controle do televisor encontra-se no canto inferior esquerdo da parte de trás do televisor. Pode usá-lo em vez do telecomando para a maioria das funções do seu televisor.

**Enquanto o televisor está em modo de espera (standby):**

- carregar curto no manípulo de controle - Ligado

**Enquanto estiver a ver televisão:**

- DIREITA/ESQUERDA – volume mais alto/ volume mais baixo
- CIMA/BAIXO – muda o canal para cima/baixo
- carregar curto – Apresenta o Menu
- carregar longo – Em espera

**Quando no menu:**

- DIREITA/ESQUERDA/CIMA/BAIXO – navegação do cursor em menus no ecrã
- carregar curto – OK/Con rma o item selecionado
- carregar longo – Volta ao menu anterior

\* - para televisores com controlo analógico

## Selecionar Modo de Entrada/Fonte

Para alternar entre as diferentes entradas/ligações.

**a) Utilização dos botões do telecomando:**

1. Carregue em [SOURCE/☐]
2. O menu de fonte aparecerá. Carregue em [◀|▶] para selecionar a entrada desejada.
3. Carregue em [OK].

**b1) Utilização dos botões\* do televisor:**

1. Carregue em [SOURCE].
2. Navegue para cima / baixo usando os botões VOL+/VOL- até à

entrada/fonte desejada.

3. Carregue em [SOURCE] para alterar a entrada/fonte até à selecionada.

**b2) Usar o manípulo\* de controle do televisor:**

1. Carregue brevemente no manípulo de controle para entrar no menu.
2. Carregue no manípulo de controle para baixo e navegue com o cursor para o menu FONTES.
3. Carregue brevemente no manípulo de controle para entrar no menu FONTES.
4. Com o manípulo de controle, selecione a entrada/fonte que desejar.
5. Ao carregar brevemente no manípulo de controle, irá mudar a entrada/fonte para a que selecionou.

\* - opcional

## Ligações

Veja a tabela dos tipos de conectores para os diferentes modelos disponíveis na página 68.

**USB**  
USB 2.0 input 1, 2; USB 3.0 input 3

**HDMI 1, 2 (ARC), 3 em**  
HDMI2.0-Input 1, 2, 3

**Lector de cartões SD**  
Cartão SD Entrada

**R/L - Vídeo & YPbPr Entrada de Áudio**  
Componente / Entrada de vídeo áudio

**Vídeo (CVBS)**  
Entrada de VÍDEO

**Component/YPbPr**  
Entrada de Componente HD

**SCART**  
Entrada-SCART

**CI Card IN**  
Entrada CI

**RF In**  
Entrada de antena RF / TV

**Sat In**  
Entrada de Satélite

**Saída de Áudio Ótico Digital**  
Saída de áudio ótico

**RJ 45**  
Ethernet

**AUSCULTADORES**  
Saída de auscultadores de 3,5mm

**D-link**  
apenas entrada de serviço

## Menu de navegação do televisor

Para aceder a este menu, carregue no botão [MENU] no telecomando.

Para entrar num menu, carregue em [OK]. Se desejar alterar alguma das definições standard, use os botões de navegação ▲/▼/◀/▶. Para confirmar quaisquer definições, carregue no botão [OK]. Para sair deste menu em qualquer momento, carregue no botão [SAIR].

## Netflix

A rede de televisão pela Internet líder em todo o mundo Oferece milhares de filmes e séries, incluindo séries originais, documentários e longas-metragens. Os membros podem ligar, parar e retomar a visualização, tudo sem publicidade, nem compromissos. Pode entrar nesta aplicação com a sua conta de Netflix já existente. Se ainda não tiver uma conta de Netflix, pode registar-se através desta app, ou através da página oficial do Netflix.

## YouTube

App de partilha de filmes que lhe permite descobrir e assistir a filmes criados originalmente.

**NOTA:** Para a app do YouTube funcionar é necessário ter definido a data e hora corretas no televisor. Para mais informações sobre a definição da data/hora no televisor, veja o capítulo do menu HORA neste manual do utilizador. Certifique-se de que a sua rede não está a bloquear o acesso ao YouTube e que a velocidade da sua ligação à Internet é suficientemente rápida para ver conteúdos do YouTube.

## Mais apps

Contém as apps usadas mais normalmente para um acesso rápido e fácil.

**AQUOS NET+** - Abre o portal Sharp SMART.

**Weather** - App de previsão do tempo AccuWeather.

**Navegador** - Aplicação para aceder a páginas Web através da Internet. Navegação no navegador:

- **CH+** - deslizar para cima
- **CH-** - deslizar para baixo
- **Botão vermelho** - mostra/esconde a barra do menu do navegador
- **Botão amarelo** - aumentar o zoom
- **Botão azul** - diminuir o zoom

## Fontes

Deste menu pode mudar o sinal de entrada do televisor para uma fonte ou dispositivo ligado diferente.

## Media

**USB** - O Modo Multimédia oferece a reprodução de diferentes conteúdos gravados num dispositivo de armazenamento USB. O conteúdo será dividido em diferentes tipos de ficheiros: Foto, Música e Filme. As "Opções de Ficheiro" aparecerão e permitir-lhe-ão reproduzir todo o tipo de conteúdo suportado.

1. Pode navegar através do menu usando as teclas de navegação ▲/▼/◀/▶. Para confirmar o item que deseja reproduzir/ver, carregue no botão [OK].
2. Enquanto estiver a ver conteúdo, pode controlar os modos de reprodução usando os botões do telecomando, ou voltando ao menu de navegação da reprodução e selecionando os botões ▲/▼/◀/▶ no ecrã e [OK]

**NOTA:** Os cabos de extensão de USB não são recomendados, pois podem provocar redução da qualidade da imagem/som e paragens durante a reprodução de conteúdo USB.

**Miracast\*** - Permite-lhe visualizar conteúdo do seu smartphone ou tablet no ecrã do televisor. A ligação sem fios é feita usando Wi-Fi Direct, de modo a que não seja necessário o acesso à rede Wi-Fi. Pode partilhar conteúdos do seu smartphone ou tablet com sistema Android 4.4 ou mais recente.

**Servidor de Media** - Procura automaticamente servidores de media digitais (DMS) ligados à sua rede doméstica e ativa a reprodução e a prestação de conteúdo de servidores de media.

\* - **Esta função encontra-se disponível apenas em smartphones e notebooks selecionados.**

## Imagem

**Modo de Imagem** - Escolha dos seguintes pré-definidos.

- **Padrão** - Definições pré-definidas
- **Filme** - Definido para ter cores mais claras e menos brilho.
- **Pessoal** - Permite-lhe alterar manualmente todas as definições
- **Eco** - Consome menos 15% energia.
- **Dinâmica** - Definições recomendadas para imagens que se movem depressa

**Contraste** - Altera o equilíbrio entre preto e branco.

**Brilho** - Aumenta ou diminui o brilho da imagem.

**Cor** - Aumenta a cor do preto e branco.

**Nitidez** - Aumenta ou diminui a nitidez da imagem.

**Temperatura da Cor** - Escolha das seguintes pré-definidas.

- **Normal** - Definições pré-definidas
- **Quente** - Aumenta o vermelho dentro da imagem
- **Frio** - Aumenta o azul dentro da imagem

**Dimensões da Imagem** - O formato da imagem varia em função do canal/emissão. Há um número de diferentes opções para melhor ir de encontro às suas necessidades.

- **Auto** - Apresenta automaticamente o melhor formato de imagem. A imagem fica na posição correta. Pode ter linhas pretas em cima/baixo e/ou nos lados.
  - **4:3** - Apresenta a imagem 4:3 no seu tamanho original. As barras laterais são apresentadas para encher o ecrã de 16:9.
  - **16:9** - Enche o ecrã com um sinal normal de 16:9.
  - **Zoom 1/2** - A imagem tem a proporção correta, mas é aproximada para encher o ecrã.
  - **Ponto a Ponto (HDMI)** - Apresentará a imagem na sua resolução original sem qualquer alteração.
  - **Em tela cheia** - Sinal esticado para encher o ecrã.
- Definições Especializadas**
- **Redução de ruído** - Filtra e reduz o ruído (interferência) da imagem
  - **Contraste ativo** - Automaticamente melhora a luz de fundo e o contraste da imagem em função da luminosidade do ecrã.
  - **Contraluz** - Ajusta o brilho do ecrã aumentando/diminuindo a luz de fundo do painel.
  - **Gama** - Ajusta os tons entre as partes brilhantes e escuras da imagem.
  - **Vermelho** - Ajusta o tom vermelho da imagem.
  - **Verde** - Ajusta o tom verde da imagem.
  - **Azul** - Ajusta o tom azul da imagem.

## Som

**Modo de Som** - Selecione dos seguintes pré-definidos

- **Padrão** - Definições pré-definidas
- **Música** - Enfatiza a música sobre as vozes
- **Filme** - Fornece som ao vivo e cheio para filmes
- **Pessoal** - Seleciona as suas definições de som pessoais
- **Desporto** - Enfatiza o som para desporto

**Equalizador** - Ajusta o volume de diferentes frequências de som. Os níveis de som do equalizador apenas podem ser ajustados quando está selecionado o modo de som "Pessoal".

**Auscultadores**

- **HP+TV** - opção para reproduzir som a partir dos altifalantes do televisor e dos auscultadores em simultâneo.
- **Volume** - ajusta o volume dos auscultadores.

**Volume automático** - Quando estiver selecionado "ligado", o volume permanecerá a um nível constante, independentemente da entrada/fonte.



**DTS TruSurround** - Permite-lhe LIGAR ou

DESLIGAR o efeito de som surround.

**Saída Digital** - Esta é a saída de áudio digital.

Selecione das seguintes opções:

- **Desligado** - Desligado
- **Auto** - Seleciona automaticamente as melhores definições
- **PCM** - Seleciona esta opção se estiver ligado a um Hi-fi Stereo através de um cabo digital (A modulação de Pulse-code (PCM) é uma representação digital de um sinal analógico)

**Computador AD** - Faixas de som adicionais para cegos.

Disponível apenas em programas de DTV selecionados.

**Volume AD** - Para ajustar o volume da faixa de som de Áudiodescrição.

**Passo de som** - permite-lhe selecionar um som/ língua diferentes para a TV Digital ou média.

**Atraso de Áudio (ms)** - Permite ao utilizador ajustar as definições de som para sincronizar a imagem e o som nos altifalantes do televisor.

**Atraso SPDIF (ms)** - Permite ao utilizador ajustar as definições de som para sincronizar a imagem e o som em altifalantes externos ligados através de uma saída de áudio digital.

## Configuração

### CANAL

**Antena DVB** - Defina o tipo de sinal DTV

- **Terrestre** - Terrestre (DVB-T)
- **Cabo** - Cabo (DVB-C)

**Sintonização Automática** - Permite-lhe voltar a sintonizar todos os canais digitais, estações de rádio digitais e canais analógicos do televisor.

**Sintonização manual da ATV** - Permite-lhe sintonizar manualmente o seu sinal analógico.

**Sintonizador manual da DTV** - Permite-lhe sintonizar manualmente o seu sinal digital.

**Editar Programa** - Permite-lhe eliminar, saltar e adicionar canais favoritos.

- **Botão vermelho** - apagar o canal selecionado.
- **Botão amarelo** - mover o canal selecionado. Vá com o cursor até ao canal que deseja mover para uma posição diferente e em seguida carregue no botão AMARELO. Agora mova o canal selecionado com a seta CIMA/BAIXO até à posição desejada e carregue novamente no botão AMARELO para confirmar a sua nova posição na lista de canais.
- **Botão azul** - saltar o canal selecionado. Os canais selecionados para serem saltados não aparecerão quando carregar nos botões CH+ ou CH-.

**Informação do Sinal** - Informação sobre o sinal DVB.

**Informação de CI** - Os serviços Pay-per-view exigem a inserção de um "smartcard" no televisor. Se assinar um serviço de pay-per-view, o fornecedor dar-lhe-á uma "CAM" e um "smartcard". A CAM pode ser inserida na PORTA COMUM DE INTERFACE (Cartão CI dentro).

**LCN** - Coloque LCN em LIGADO se quiser ordenar os canais por preferência de fornecedor (apenas aplicável a canais DVB-T e DVB-C).

**Atualização Automática do Canal** - se ligar esta opção, as posições, nomes e frequências dos canais serão periodicamente atualizadas pelo fornecedor. Isto pode provocar problemas, caso tenha ordenado os canais na lista por si mesmo. Nesse caso, recomendamos que desligue esta opção.

**Lista de Gravações\*** - Lista de programas de televisão gravados.

**Lista programas** - Faz uma lista dos seus lembretes de programas.

**Instalacao do prato** - Este menu só se encontra disponível no modo DVB-S2. Pode selecionar o tipo de satélite, o transponder e o seu tipo de LNB, etc.

**OAD (Atualização do Software)** - Ligar/desligar a atualização de software OAD (over air download).

\* - apenas para dispositivos com função de DVR incorporada

### REDE

**Configuração da rede** - Primeiro terá de selecionar o seu tipo de ligação. Pode escolher entre uma ligação Wi-Fi ou por Cabo.

**NOTA:** Para se ligar à Internet com uma ligação com fios, ligue um cabo Cat

5/Ethernet (não incluído) da TV até ao seu modem/router de banda larga.

**Configuração de IP** - Definições de ligação da rede LAN.

- **Auto** - Ligará automaticamente a TV à sua rede de doméstica (esta é a definição padrão e é altamente recomendada).
- **Manual** - Permite-lhe alterar manualmente a informação do IP, Netmask, Gateway e DNS.

**Configuração de Wi-Fi** - Definições de ligação da rede sem fios.

- **Wi-Fi pesquisa auto** - Procura automaticamente redes sem fios disponíveis. Seleccione a rede Wi-Fi desejada e em seguida introduza a senha da rede (se for protegida por senha). Assim que a senha for aceite, não terá de voltar a introduzi-la.

**NOTA:** O processo de ligação pode demorar alguns minutos, por favor aguarde. De cada vez que a TV for ligada, ligar-se-á automaticamente à rede. Isto também poderá demorar algum tempo.

**Informação da Rede** - Informação sobre as definições da rede

**Teste da rede** - Um teste da ligação à rede.

### HORA

**Sincronizacao automatica** - Define automaticamente a hora e a data do televisor. Exige que o televisor esteja sintonizado com um sinal digital e/ou uma ligação à Internet. Desligue "Auto Sync" para acertar manualmente a hora e a data. Se a opção "Auto Sync" estiver desligada, com a hora e a data acertadas manualmente, esta informação será reposta quando se desligar a corrente do televisor.

**Relógio** - Apresenta a data e a hora. Pode ser acertado quando a opção "Auto Sync" estiver desligada.

**Tempo para Desligar** - Permite-lhe definir uma hora específica para o televisor se desligar.

**Tempo para Ligar** - Permite-lhe definir uma hora específica para o televisor se ligar, o canal que irá apresentar, a fonte em que estará e ainda o volume. Esta função pode ser mantida para se repetir todos os dias, ou só num determinado dia.

**Temp. Dormir** - Deixa-o definir o temporizador de dormir, de modo a que o televisor se desligue automaticamente ao fim de um certo tempo definido. Desligado -> 10min -> 20min -> 30min -> 60min -> 90min -> 120min -> 180min -> 240min.

**Tempo OSD** - Deixa-o definir a quantidade de tempo em que o Menu no Ecrã permanece no ecrã até desaparecer.

**Stand-by automático** - Ajuste para o stand-by automático em intervalos de horas: Desligado -> 3h -> 4h -> 5h.

**Fuso Horário** - Altera o seu fuso horário atual.

### BLOQUEAR

**Bloquear Sistema** - Permite-lhe bloquear ou desbloquear o menu. Ser-lhe-á pedido que introduza uma senha de 4 dígitos. Use o botão ◀ para interromper a introdução da senha. Use o botão ▶ para limpar. A senha pré-definida é 0000.

**Definir Senha** - Altera a senha pré-definida.

**Bloquear Programa** - Bloqueia canais de televisão específicos.

**Instrução parental** - Bloqueia canais de televisão com base na restrição de idade.

**Bloqueio teclas** - Permite-lhe bloquear o controlo analógico do televisor na parte traseira deste.

**Bloqueio fonte** - Permite-lhe esconder as entradas selecionadas do menu das fontes.

**Modo hotel** - Definições avançadas para hotéis.

### CONFIGURAR

**Idioma** - Permite-lhe alterar a língua do menu.

**Idioma do Áudio** - Permite-lhe alterar a língua do áudio em canais DVB selecionados.

**Idioma das Legendas** - Permite-lhe alterar a língua das legendas em canais DVB selecionados.

**Ajuda para surdos** - Se o sinal fornecer apoio para pessoas com deficiência auditiva, as legendas podem ser reproduzidas carregando em "Legendas". Se ligar a opção para Pessoas com Deficiência Auditiva e mudar para um canal com apoio para estes, as legendas serão ativadas automaticamente.

**Ecrã Azul** - Altera o fundo quando não há entrada entre transparente e um fundo azul (Disponível apenas em algumas fontes).

**Sistema de arquivos PVR** - Opções de gravações PVR\*

- **Seleção do disco** - Seleciona a porta USB e a partição do disco
- **Volume de andamento temporal** - Define o tamanho do tempo do turno do buffer.
- **Formatar** - Pode formatar o dispositivo de armazenamento USB para sistema de ficheiros FAT 32.

**AVISO: TODOS OS DADOS NO DISPOSITIVO USB SERÃO ELIMINADOS**

- **Velocidade** - Testa a velocidade de gravação dos dispositivos de armazenamento USB ligados.

\* - **apenas para dispositivos com função de PVR incorporada**

**Primeira instalação** - Inicia a instalação de primeira vez.

**Atualizar software (USB)** - Periodicamente poderemos lançar novo firmware para melhorar o funcionamento do televisor (disponível para download). Este menu permite-lhe instalar novo software/firmware no televisor. Mais pormenores sobre como o fazer serão emitidos com o firmware. Contacte a linha de apoio ou veja a página web 'www.sharp.eu/av'.

**Atualização do Software (NET)** - Permite que o software da TV seja atualizado pela Internet. Esta função irá pesquisar novo software e atualizá-lo quando necessário.

**NOTA:** A TV irá automaticamente procurar novas versões do software de cada vez que for ligada. Se for encontrado software novo, perguntar-lhe-á se quer baixá-lo e instalá-lo. Se selecionar "Sim", o televisor fará a atualização para o software mais recente.

**AVISO:** Não desligue o televisor da corrente antes da atualização estar completa!

**Restabelecer predefinições** - Repõe todos os menus nas definições de fábrica.

**HDMI CEC\*** - Permite-lhe funcionar com os dispositivos ligados por HDMI com o telecomando do televisor.

- **Lista de dispositivos\*** - Permite-lhe aceder ao menu dos dispositivos e a usar o menu com o telecomando do televisor.
- **HDMI CEC** - ativar/desativar a função HDMI CEC.
- **Stand-by Automático\*** - Liga/desliga automaticamente os dispositivos ligados por HDMI CEC.
- **HDMI ARC\*** - Envia sinal de áudio de uma emissão terrestre/satélite por HDMI para o recetor AV, sem usar nenhuns cabos de áudio adicionais. Esta função só se encontra disponível na saída HDMI 2 output.

\* - **HDMI CEC tem de ser suportado pelo dispositivo ligado.**

**HDMI EDID** - transmite as capacidades do televisor (resolução, suporte de áudio, etc.) diretamente para os dispositivos ligados via HDMI. Este item permite-lhe saltar entre os modos da entrada HDMI selecionada, entre o modo HDMI e HDMI2.0.

- **Standard** - recomendado se o televisor estiver ligado a um dispositivo com saída HDMI 1.4 ou menor, por exemplo um leitor de Blu-Ray Full HD, leitor de DVD ou consola de jogos.
- **Melhorado** - recomendado quando o televisor estiver ligado a um dispositivo com saída HDMI 2.0, por exemplo, um leitor de Blu-ray 4K ou um PC moderno.

**Estado do LED** - Permite ao utilizador LIGAR ou DESLIGAR o indicador luminoso do LED quando o televisor estiver em funcionamento. (Quando esta opção for DESLIGADA, o indicador luminoso do LED irá piscar quando o telecomando for usado).

**HbbTV** - Permite ao utilizador ligar/desligar o HbbTV. Para usar o HbbTV, o televisor deve estar ligado à Internet e o canal a ser visto deve suportar o serviço de HbbTV.

**Info sobre a Versão** - Apresenta a versão do software do televisor. **Editar fonte** - isto permite ao utilizador mudar manualmente o nome de itens da lista de fontes de entrada. Por exemplo, pode mudar o nome de entradas para apresentarem o nome dos dispositivos ligados.

## AQUOS NET+

O AQUOS NET+ dá-lhe a oportunidade de desfrutar de uma variedade de aplicações ou de navegar pela Internet no seu televisor LCD AQUOS. Para aceder ao Menu AQUOS NET+ em qualquer momento, carregue no botão NET+ no telecomando ou seleccione do Mais apps.

**NOTA:** Por favor, aguarde enquanto o televisor se liga à rede Wi-Fi. Pode demorar alguns minutos depois de ligar o televisor.

Navegue o menu usando os botões de navegação ▲/▼/◀/▶. Para confirmar o item que deseja reproduzir/ver, carregue no botão [OK]. Para voltar atrás "um passo", carregue no botão [Menu] e para aceder a funções adicionais, use os botões coloridos. Para sair do AQUOS NET+, carregue no botão [EXIT].

**Início** - Ecrã inicial com filmes recomendados e aplicações abertas recentemente

**Todos os** - Abre uma lista de aplicações disponíveis

**Filmes** - Abre uma lista de filmes disponíveis

**Programas de TV** - Abre uma lista de programas de TV disponíveis

**Música** - Abre uma lista de músicas e vídeos de músicas disponíveis

**Jogos** - Lista de jogos e apps relacionadas com jogos.

**Esportes** - Lista de aplicações relacionadas com desporto.

**Notícias** - Lista de apps de notícias.

**Pesquisar** - pesquisa de app através do nome ou parte do nome.

**Favoritos** - Ao adicionar apps à lista "Favoritos", poderá aceder rapidamente às suas apps favoritas. Para adicionar uma app à lista, basta destacar qualquer app e carregar no botão verde. Esta passará a figurar na lista "Favoritos". Para remover alguma app indesejada da lista "Favoritos", tem de destacar a app que deseja eliminar e carregar no botão VERDE.

**Configurações** - No menu das definições pode alterar o idioma do portal Aquos NET+, definir um filtro para aplicações específico para a língua selecionada e repor todas as definições do utilizador com as definições predefinidas.

**REPOR AS DEFINIÇÕES DO UTILIZADOR:** Se desejar repor totalmente todas as definições do utilizador no AQUOS NET+, primeiro tem de entrar no menu de Definições do portal e selecionar "Repor portal". Seleccione SIM com o cursor e carregue no OK no telecomando para confirmar a reposição das definições.

**NOTA:** Para ir de encontro às exigências dos consumidores, estamos a melhorar os nossos produtos. Como resultado dos nossos esforços, serão continuamente adicionadas novas aplicações ao AQUOS NET+. As aplicações e o conteúdo do AQUOS NET+ podem ser alterados sem aviso prévio. Algumas das funções e conteúdos podem não se encontrar disponíveis no seu país.

## Guia de TV de 7 dias

O Guia de TV encontra-se disponível no modo de TV Digital. Fornece informação sobre os programas que irão dar (onde suportado pelo canal Digital). Pode ver a hora de início de fim de todos os programas e de todos os canais nos próximos 7 dias e definir lembretes.

1. Carregue em **[GUIA DE TV]**. O Guia de TV de 7 dias seguinte aparecerá.

2. Navegue no menu usando ▲/▼/◀/▶.

**Agora pode:**

Gravar canais e programas de televisão selecionados carregando no botão VERMELHO.\*

Defina um lembrete carregando no VERDE.

Veja um dia anterior carregando no AMARELO.

Veja o dia seguinte carregando no AZUL.

[INFO] apresenta informação detalhada sobre o post selecionado

3. Carregue em **[SAIR]** para sair do Guia de TV de 7 dias.

\* - **apenas em modelos com função de gravação**

## Gravação USB - Modo Digital\*

Dentro deste televisor existe uma unidade de gravação de USB. Esta função encontra-se disponível no Modo Digital quando usada em conjunto com um dispositivo de memória USB ou um disco rígido USB. Os benefícios disto são os seguintes:

- Pausa televisão em direto e depois volta a reproduzir, avança rapidamente ou retrocede (até ao direto).
- Gravação de um botão, se decidir que quer gravar o programa atual.
- Programação da gravação fácil a partir do Guia de TV de 7 dias. Devido à natureza do produto, é necessário usar um dispositivo de memória USB de grande velocidade (como o televisor lê e grava no dispositivo de memória em simultâneo, alguns dispositivos podem não ser adequados).

Especificação mínima - Dispositivo de Memória USB

- **Velocidade de Leitura** - 20 Mb/s (Megabit Por Segundo)
- **Velocidade de Gravação** - 6 Mb/s (Megabit Por Segundo)

### Pausar televisão ao vivo (Time Shift)\*

É muito fácil fazer uma pausa na televisão em direto.

- Carregue no botão reproduzir/pausar e a televisão fará uma pausa. O conteúdo do direto será gravado. Para retomar, carregue novamente no botão reproduzir/pausar.
- Carregue no avançar rápido para avançar na gravação (por ex., para saltar os anúncios).
- Carregue no retroceder rápido para voltar atrás na gravação (por ex., se avançou demais).

**DICA:** Quando colocar o televisor em stand-by, ou alterar o canal, a memória do Time Shift é apagada. Para reiniciar o time shift, terá de carregar no botão reproduzir/pausar.

### Gravação de um botão

Em qualquer altura pode decidir gravar o canal atual que está a ver. Para o fazer, precisa de carregar no botão [REC].

**DICA:** Este televisor contém um sintonizador de televisão, pelo que só pode gravar o canal que estiver a ver, ou gravar um canal enquanto o televisor está em modo stand-by.

**NOTA:** A função de gravação de USB encontra-se disponível apenas no modo de televisão digital. Devido a leis de copyright e a cópias/gravações ilegais, não é possível gravar para/de qualquer outra fonte de entrada/saída.

\* - apenas para dispositivos com função de PVR incorporada

## HDR (High Dynamic Range)

O vídeo HDR elimina algumas das limitações do sinal de vídeo normal e apresenta a imagem construída com uma gama de cores e um brilho mais amplos.

**NOTAS:**

- A função HDR será automaticamente ativada caso seja detetado um sinal HDR, contanto que HDMI EDID tenha sido definido para "Melhorado" no menu 'CONFIGURAR'.
- Este televisor pode apresentar conteúdo HDR através das entradas HDMI ou USB.
- Se estiver ligado através de uma das entradas HDMI, o dispositivo externo também tem de suportar HDR, HDMI2.0 e reproduzir conteúdo dominado por HDR.
- Este dispositivo não suporta conteúdo HDR de aplicações incorporadas, tais como o Netflix ou YouTube.

## Ficha do produto

Marca	
Modelo	LC-50U17222E LC-50U17322E LC-50U17422E
Classe de Eficiência Energética	A+
Tamanho visível do ecrã (diagonal)	50" / 127cm
Modo ligado consumo de energia	70,0 W
Consumo energético anual*	102 kWh
Consumo energético em stand-by**	<0,50 W
Consumo energético em modo desligado	N/A
Resolução do ecrã	3840 (H) x 2160 (V)

\* - Consumo energético de XYZ kWh por ano, baseado no consumo energético do televisor em funcionamento 4 horas por dia durante 365 dias. O consumo energético atual dependerá do modo como o televisor for usado.

\*\* - quando o televisor é desligado com o telecomando e nenhuma função se encontra ativa

## Ważne środki bezpieczeństwa



**Proszę zapoznać się z niniejszymi instrukcjami bezpieczeństwa i wziąć pod uwagę poniższe ostrzeżenia zanim urządzenie zostanie uruchomione:**

**Żeby zapobiec pożarowi, zawsze trzymaj świece i inne źródła otwartego ognia z daleka od urządzenia.**



- Telewizory z ekranami o przekątnej 43" lub większymi muszą być przenoszone przez co najmniej dwie osoby.
- Niniejszy telewizor nie posiada żadnych części, które może naprawiać użytkownik. W przypadku wystąpienia usterki skontaktuj się z producentem lub autoryzowanym serwisem. Styczność z niektórymi elementami wewnątrz obudowy może stanowić zagrożenie dla życia. Gwarancja nie obejmuje usterek wywołanych naprawami wykonywanymi przez strony trzecie.
- Nie demontuj tylnej części urządzenia.
- Urządzenie jest przeznaczone do odbioru i odtwarzania wideo i dźwięku. Wszelkie inne wykorzystanie jest ściśle zabronione.
- Nie wystawiaj telewizora na działanie kapiących lub rozpryskiwanych cieczy.
- Aby odłączyć telewizor od sieci elektrycznej, odłącz wtyczkę z gniazda zasilającego.
- Jeśli kabel zasilający zostanie uszkodzony, należy go wymienić u producenta, w serwisie lub u innej wykwalifikowanej osoby, żeby ochronić się przed zagrożeniem.
- Idealna odległość do oglądania telewizora jest równa mniej więcej pięciokrotnej długości przekątnej ekranu. Odbicia innych źródeł światła od ekranu mogą pogorszyć jakość obrazu.
- Zapewnij odpowiednią wentylację telewizora i nie umieszczaj go blisko innych urządzeń i mebli.
- Dopilnuj, by zostawić 5 cm wolnego miejsca wokół urządzenia dla zapewnienia odpowiedniej wentylacji.
- Upewnij się, że otwory wentylacyjne nie są zablokowane przedmiotami, takimi jak gazety, ściereki, zasłony itp.
- Telewizor jest przeznaczony do użycia w klimacie umiarkowanym.
- Telewizor jest przeznaczony wyłącznie do pracy w suchym miejscu. Gdy używasz telewizora na zewnątrz, upewnij się, że jest zabezpieczony przed wilgocią (deszcz, chlapiąca woda). Nigdy nie wystawiaj urządzenia na działanie wilgoci.
- Nie stawiaj żadnych przedmiotów ani zbiorników z płynami, takich jak wazony itp. na telewizorze. Mogą one zostać potrącone, zagrażając bezpieczeństwu elektrycznemu. Ustaw telewizor na płaskiej i stabilnej powierzchni. Nie umieszczaj przedmiotów, takich jak gazety, kocy itp. na telewizorze lub pod nim.
- Upewnij się, że urządzenie nie stoi na kablach zasilających, ponieważ mogłyby one ulec uszkodzeniu. Telefony komórkowe i inne urządzenia, takie jak adapter sieci WLAN, kamery monitoringu przesyłające sygnał bezprzewodowo itp., mogą powodować zakłócenia elektromagnetyczne, więc nie należy ich umieszczać w pobliżu urządzenia.
- Nie umieszczaj urządzenia w pobliżu elementów grzewczych lub w miejscach narażonych na bezpośrednie działanie światła słonecznego, ponieważ ma to negatywny wpływ na chłodzenie urządzenia. Zatrzymywanie ciepła jest niebezpieczne i może poważnie zmniejszyć żywotność

urządzenia. Żeby zapewnić bezpieczeństwo, poprosz wykwalifikowaną osobę o usunięcie brudu z urządzenia.

- Postaraj się zapobiec uszkodzeniu kabli zasilających lub zasilacza. Urządzenie może być podłączane wyłącznie do dostarczonego kabla zasilającego/zasilacza.
- Burze stanowią niebezpieczeństwo dla wszystkich urządzeń elektrycznych. Jeśli kabel lub przewody antenowe zostaną trafione piorunem, urządzenie może zostać uszkodzone, nawet gdy jest wyłączone. Przed nadejściem burzy należy odłączyć od urządzenia wszystkie przewody i złącza.
- Przy czyszczeniu ekranu urządzenia używaj wyłącznie wilgotnej i miękkiej ściereczki. Używaj tylko czystej wody bez detergentów, a zwłaszcza bez rozpuszczalników.
- Ustaw telewizor w pobliżu ściany, żeby nie spadł w przypadku popchnięcia.
- OSTRZEŻENIE - W żadnym wypadku nie stawiaj telewizora na niestabilnym podłożu. Telewizor mógłby upaść, powodując poważne obrażenia lub śmierć. Wiele obrażeń, w szczególności u dzieci, można zapobiec, podejmując proste środki zaradcze, takie jak:
  - Używać wyłącznie szafek lub podstaw zalecanych przez producenta telewizora.
  - Używać wyłącznie mebli, które mogą stanowić bezpieczną podstawę dla telewizora.
  - Upewnij się, że telewizor nie wystaje poza krawędź mebla, na którym stoi.
  - Nie stawiaj telewizora na wysokich meblach (na przykład regałach, kredensach) bez przymocowania zarówno mebla jak i telewizora do stabilnej podstawy.
  - Nie umieszczaj telewizora na obrusie ani innych tkaninach ułożonych między telewizorem a meblem, na którym stoi.
  - Poczytaj dzieci o niebezpieczeństwach związanych ze wspinaniem się na meble w celu osiągnięcia telewizora lub jego elementów sterujących.
  - Upewnij się, że dzieci nie wspinają się ani nie wieszają na telewizorze.
  - Jeśli telewizor jest przechowywany i przenoszony, należy wziąć pod uwagę te same środki ostrożności.
- Instrukcje przedstawione poniżej opisują bezpieczniejszy sposób montażu telewizora poprzez zamocowanie go do ściany, co chroni go przed upadkiem do przodu i spowodowaniem obrażeń i szkód.
- Przy instalacji tego typu potrzebny będzie pas mocujący.
  - A) Używając jednego/obu górnych otworów montażowych i śrub (śruby znajdują się już w otworach montażowych) przypnij jeden koniec pasa do telewizora.
  - B) Zamocuj drugi koniec do ściany.
- Oprogramowanie telewizora i układ menu ekranowego mogą ulec zmianie bez powiadomienia.
- Uwaga: Wylądowanie elektrostatyczne może spowodować nieprawidłowe działanie urządzenia. W takim przypadku wyłącz telewizor i włącz ponownie. Telewizor będzie działał normalnie.

### Ostrzeżenia:

- Nie wolno korzystać z odbiornika telewizyjnego natychmiast po rozpakowaniu. Przed użyciem należy odczekać, aż telewizor nagrzej się do temperatury pokojowej.
- Nigdy nie podłączaj żadnych zewnętrznych urządzeń do pracującego telewizora. Wyłącz nie tylko telewizor, ale również podłączane urządzenia! Włóż wtyczkę do gniazdka w ścianie po podłączeniu urządzeń zewnętrznych i anteny!
- Zawsze upewnij się, że masz swobodny dostęp do wtyczki telewizora.
- Urządzenie nie jest przeznaczone do wykorzystania w miejscu pracy wyposażonym w monitory.
- Częste korzystanie ze słuchawek z ustawionym wysokim poziomem głośności może spowodować nieodwracalne uszkodzenia słuchu.
- Zapewnij przyjazną środowisku utylizację urządzenia i elementów - wyłącznie z bateriami. W razie wątpliwości skontaktuj się z lokalnymi władzami, żeby uzyskać informacje na temat recyklingu.
- Instalując urządzenie nie zapomnij, że powierzchnie mebli są pokryte różnymi lakierami, plastikiem itp. lub mogą być wypolerowane. Substancje chemiczne zawarte w tych produktach mogą wchodzić w reakcję z podstawą telewizora. Może to spowodować przywarcie materiału do powierzchni mebli, co utrudni przesunięcie, a nawet je unieśliwi.

- Ekran telewizora został wyprodukowany w najwyższej jakości warunkach i został kilkakrotnie szczegółowo sprawdzony pod kątem wadliwych pikseli. Ze względu na charakter technologiczny procesu produkcyjnego nie jest możliwe wyeliminowanie małej liczby wadliwych punktów na ekranie (nawet przy zachowaniu maksymalnej dbałości podczas produkcji). Te wadliwe piksele nie są uważane za wadliwe w znaczeniu gwarancyjnym, jeśli ich liczba nie jest większa niż limity określone przez normę DIN.
- Producent nie ponosi odpowiedzialności ani nie jest zobowiązany do rozstrzygnięcia kwestii obsługi klienta związanych z treściami bądź usługami osób trzecich. Wszelkie pytania, komentarze lub zapytania o usługi związane z treściami lub usługami osób trzecich powinny być kierowane bezpośrednio do odpowiedniego dostawcy treści lub usług.
- Istnieje wiele powodów, dla których użytkownik może nie być w stanie uzyskać dostępu do usług ze swojego urządzenia, niezwiązanych z samym urządzeniem, w tym między innymi awaria zasilania lub połączenia internetowego czy nieprawidłowa konfiguracja urządzenia. Firma Universal Media Corporation, jej dyrektorzy, urzędnicy, pracownicy, pełnomocnicy, wykonawcy i jednostki stowarzyszone nie ponoszą odpowiedzialności przed użytkownikiem ani osobą trzecią w przypadku wspomnianych awarii lub przestojów, niezależnie od powodów awarii oraz tego, czy można było jej uniknąć.
- Wszelkie treści i usługi osób trzecich dostępne na niniejszym urządzeniu są świadczone użytkownikowi w ich bieżącym stanie oraz w miarę dostępności; Universal Media Corporation i jej spółki stowarzyszone nie składają użytkownikowi żadnych oświadczeń ani zapewnień, wyraźnych ani dorozumianych, w tym między innymi, choć nie wyłącznie, nie udzielają gwarancji przydatności handlowej, nienaruszalności praw i przydatności do określonego celu ani gwarancji adekwatności, dostępności, dokładności, kompletności, bezpieczeństwa, własności, użyteczności, braku zaniehdania czy bezbłędności lub nieprzerwanego działania lub użytkowania treści i usług świadczonych użytkownikowi przez osoby trzecie, a także nie gwarantują, że takie treści lub usługi będą zgodne z wymaganiami i oczekiwaniami użytkownika.
- Universal Media Corporation nie jest pośrednikiem i nie ponosi odpowiedzialności za działania i zaniehdania dostawców treści i usług osób trzecich ani za żaden aspekt treści i usług takich dostawców.
- Universal Media Corporation i/lub jej spółki stowarzyszone w żadnym wypadku nie będą odpowiedzialne przed użytkownikiem ani osobą trzecią za żadne szkody bezpośrednie, pośrednie, szczególne, karne, wynikające lub inne, niezależnie od tego, czy podstawą odpowiedzialności jest umowa, delikt, zaniehdanie, naruszenie zasad gwarancji, odpowiedzialność bezpośrednia czy inna oraz bez względu na to, czy Universal Media Corporation i/lub jej spółki stowarzyszone zostały poinformowane o możliwości wystąpienia takich szkód.

## Ważne informacje dotyczące użycia gier wideo, komputerów, napisów i innych źródeł stałych obrazów.

- Dłuższe wyświetlanie materiałów ze stałym obrazem może spowodować pozostanie "obrazu resztkowego" na ekranie LCD (czasami nieprawidłowo nazywanego "wypaleniem na ekranie"). Ten obraz resztkowy będzie stale widoczny w tle. Jest to uszkodzenie nieodwracalne. Można uniknąć takiego uszkodzenia postępując zgodnie z poniższymi instrukcjami:
- Zmniejsz jasność/kontrast do minimalnego poziomu, który jest odpowiedni do oglądania.
- Nie wyświetlaj stałego obrazu przez dłuższy czas. Unikaj wyświetlania:
  - » Tabel i czasu z telegazety
  - » Menu telewizora/DVD, np. zawartości DVD
  - » W trybie „Pauza” (wstrzymanie): Nie używaj tego trybu przez długi czas, np. podczas oglądania DVD lub filmów.
  - » Wyłącz urządzenie, jeśli go nie używasz.

## Baterie

- Zachowaj prawidłową polaryzację, gdy montujesz baterie.
- Nie wystawiaj baterii na działanie wysokich temperatur i nie umieszczaj ich w miejscach, których

temperatura może gwałtownie wzrosnąć, np. w pobliżu ognia lub w bezpośrednim świetle słonecznym.

- Nie wystawiaj baterii na działanie nadmiernego ciepła, nie wrzucaj ich do ognia, nie rozmontowuj i nie próbuj ładować zwykłych baterii. Mogłyby wyciec lub eksplodować.
  - » Nigdy nie stosuj jednocześnie różnych baterii i nie łącz baterii nowych ze starymi.
  - » Używaj baterie w sposób przyjazny dla środowiska.
  - » Większość państw UE posiada przepisy regulujące usuwanie baterii.

## Utylizacja

- Nie wyrzucaj niniejszego telewizora do niesortowanych śmieci z gospodarstwa domowego. Oddaj go do wyznaczonego punktu odbioru w celu przetworzenia zgodnie z przepisami WEEE. W ten sposób oszczędzasz zasoby naturalne i chronisz środowisko. Więcej informacji możesz uzyskać od sprzedawcy lub lokalnych władz.



## Deklaracja zgodności:

- UMC Poland Sp. z o.o. niniejszym oświadcza, że ten telewizor LED spełnia zasadnicze wymagania oraz inne odnośne normy określone w dyrektywie RED 2014/53/EU. Pełen tekst deklaracji zgodności WE jest dostępny pod następującym linkiem: <https://www.sharpconsumer.eu/documents-of-conformity/>

## Znaki handlowe

- Nazwy HDMI i HDMI High-Definition Multimedia Interface oraz logo HDMI są znakami towarowymi lub zarejestrowanymi znakami towarowymi HDMI Licensing, LLC w Stanach Zjednoczonych i innych krajach.

- Logo "DIGITALEUROPE UHD Display" jest znakiem towarowym DIGITALEUROPE.

- Logo DVB jest zarejestrowanym znakiem handlowym projektu Digital Video Broadcasting - DVB.

- Wyprodukowano na licencji Dolby Laboratories. Dolby, Dolby Audio i symbol z podwójnym D są znakami towarowymi firmy Dolby Laboratories.

- Informacje dotyczące patentów DTS można znaleźć na stronie <http://patents.dts.com>. Wyprodukowano na licencji DTS Licensing Limited. DTS, symbol oraz DTS razem z symbolem są zarejestrowanymi znakami towarowymi. DTS Studio Sound jest znakiem handlowym firmy DTS, Inc. © DTS, Inc. All Rights Reserved.

- YouTube i logo YouTube są znakami towarowymi Google Inc

- Logo Wi-Fi CERTIFIED jest zastrzeżonym znakiem towarowym Wi-Fi Alliance.

- Wi-Fi CERTIFIED Miracast i Miracast są zastrzeżonymi znakami towarowymi Wi-Fi Alliance.

- DLNA, logo DLNA i DLNA CERTIFIED są zastrzeżonymi znakami towarowymi, znakami serwisowymi lub oznaczeniami certyfikacji Digital Living Network Alliance.

- Harman Kardon jest znakiem towarowym firmy HARMAN International Industries, Incorporated, zarejestrowanej w Stanach Zjednoczonych i/lub innych krajach.



## Zawartość opakowania

### Zestaw zawiera następujące elementy:

- 1x telewizor
- 1x zestaw do instalacji podstawy telewizora
- 1x pilot zdalnego sterowania
- 1x instrukcja obsługi
- 2x bateria AAA
- 1x zestaw do montażu na ścianie (4 x wkręty M6x35 i 4 x plastikowe podkładki)

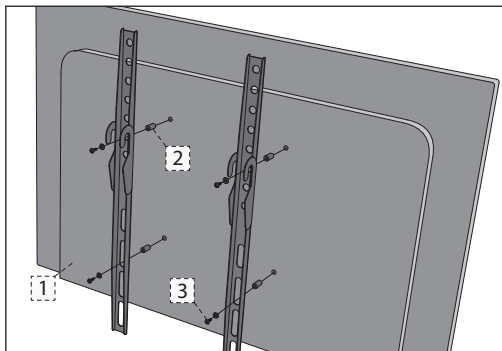
## Montaż podstawy

Proszę postępować zgodnie z instrukcjami z ostatniej strony niniejszej instrukcji.

## Montaż telewizora na ścianie

1. Odkręć 4 wkręty, dostarczone z płytą do montażu na ścianie.
2. Płytę do montażu na ścianie można łatwo zamocować w otworach montażowych na tylnym panelu telewizora.
3. Zainstaluj wspornik do montażu na ścianie do telewizora w sposób zalecany przez producenta wspornika.

W przypadku montażu wsporników do modelu 50", zamiast śrub wkręconych już w otwory montażowe telewizora, zalecamy zastosowanie dłuższych śrub i podkładek dostarczonych w zestawie z akcesoriami. Włóż podkładki do otworów montażowych w tylnej części obudowy telewizora, a następnie załóż na nie wsporniki. Zamocuj wsporniki i podkładki do telewizora przy pomocy śrub, tak jak pokazano poniżej:



1. TV
2. PODKŁADKA
3. ŚRUBA

**UWAGA:** Telewizor i wsporniki widoczne na rysunku są pokazane wyłącznie w celach demonstracyjnych i mogą się różnić.

## Przed uruchomieniem - początkowa konfiguracja

1. Przy pomocy kabla antenowego podłącz telewizor do gniazda antenowego w ścianie.

2. Aby połączyć się z Internetem połączeniem przewodowym, podłącz kabel Cat 5/Ethernet telewizora (niezależony) do szerokopasmowego modemu/routera.
3. Podłącz kabel zasilający z tyłu telewizora, a następnie podłącz go do gniazda elektrycznego.
4. Włóż dołączone baterie do pilota.
5. Następnie naciśnij przycisk Standby, żeby wyłączyć telewizor.
6. Zostaniesz popityany ekranem **Pierwsza instalacja**. Jeśli nie pojawi się, naciśnij na pilocie [MENU] i 8-8-8-8, a wyświetli się menu. Jeśli chcesz dokonać zmian w ustawieniach domyślnych, użyj przycisków przewijania ▲/▼/◀/▶. Żeby w dowolnym momencie wyjść z tego menu, naciśnij przycisk [EXIT].

### 7. Proszę skonfigurować żądane ustawienia na ekranie **PIERWSZA INSTALACJA**.

**PUNKT 1** - Ustaw język menu telewizora.

**PUNKT 2** - Ustaw swój kraj.

**PUNKT 3** - Ustaw tryb połączenia sieciowego. Jeśli chcesz pominąć ten punkt i podłączyć telewizor do sieci później, wybierz Pomiń ustawienia sieci

**PUNKT 4** - Wybierz lokalizację telewizora. W przypadku użytku domowego wybierz opcję Tryb Domowy. Dla trybu demonstracyjnego w sklepie ustaw opcję Tryb Sklepowy.

**PUNKT 5** - Wybierz odpowiednią opcję w zależności od montażu telewizora podstawie lub na ścianie. Telewizor skonfiguruje optymalne ustawienia dźwięku dla wybranej opcji.

**PUNKT 6** - Wybierz źródło sygnału, z którego chcesz korzystać. Jeśli kabel antenowy (RF) został podłączony bezpośrednio do telewizora, wybierz DTV. Jeśli telewizor został podłączony bezpośrednio do anteny satelitarnej, wybierz DVB-S\*. W przypadku korzystania z dekodera wybierz prawidłowy sygnał telewizyjny, do którego dekodery został podłączony.

8. Jeśli w ostatnim punkcie wybrałeś opcję DTV lub DVB-S2, zostaniesz zapytany, czy chcesz nastroić kanały. Jeśli wybierzesz „Nie”, możesz nastroić kanały później w menu USTAWIENIA/KANAŁ. Jeśli wybierzesz „Tak”, wyświetli się menu strojenia.

**Strojenie odbioru programów telewizji cyfrowej (DTV):** W ustawieniu Antena DVB wybierz typ wykorzystywanego sygnału. Odbiór programów cyfrowych z nadajników naziemnych (DVB-T) lub programów telewizji kablowej (DVB-C). Następnie wybierz Automatyczne wyszukiwanie i skonfiguruj żądane ustawienia. Wybierz ponownie Automatyczne wyszukiwanie, aby rozpocząć strojenie kanałów.

**Strojenie odbioru programów cyfrowych z nadajników satelitarnych (DVB-S2) tuning:** Wybierz Automatyczne wyszukiwanie, a następnie wybierz Odbiór programów cyfrowych z nadajników satelitarnych. W tym miejscu możesz wybrać różne nadajniki satelitarne. Naciśnij przycisk OK na pilocie zdalnego sterowania, aby wybrać nadajnik satelitarny, którego sygnał chcesz dostroić. Następnie wróć do poprzedniego menu naciskając przycisk BACK na pilocie i wybierz Automatyczne wyszukiwanie, aby rozpocząć strojenie kanałów.

**UWAGA:** Żeby skrócić czas strojenia kanałów satelitarnych, w niektórych krajach dostępna jest wcześniej zainstalowana lista najbardziej popularnych nadajników satelitarnych w regionie. W przypadku Twojego wybranego kraju zostaniesz zapytany, czy chcesz pobrać wcześniej zainstalowaną listę kanałów. Jeśli wybierzesz „Tak”, w ciągu kilku sekund do telewizora zostanie zaimportowana lista kanałów telewizji satelitarnej.

**WSKAZÓWKA:** Jeśli brakuje kanałów, wynika to prawdopodobnie z siły sygnału. Rozważ podłączenie wzmacniacza sygnału lub przestrojenie telewizora.

## Pilot zdalnego sterowania

1.  **STANDBY** – Włącza i wyłącza telewizor.

2. **MUTE** – Wycisza dźwięk.
3. **0 – 9** – Wybór kanałów telewizyjnych.
4. **TV GUIDE** – Otwiera 7-dniowy program telewizyjny (tryb cyfrowy DVB).
5. – Powraca do poprzednio oglądanego kanału.
6. **PICTURE** – Ustawienia obrazu.
7. **VOL ▲/▼** – Zwiększa/zmniejsza głośność.
8. **CH ▲/▼** – Przełącza na następny lub poprzedni oglądany kanał.
9. **SOUND** – Ustawienia dźwięku.
10. **SOURCE** – Wybiera wejścia/zródła.
11. **MENU** – Wyświetla menu ekranowe.
12. **EXIT** – Wychodzi ze wszystkich menu.
13. (**▲/▼/◀/▶/OK**) – Pozwala poruszać się po menu ekranowym i regulować ustawienia.
14. **BACK** – Powrót do poprzedniego menu.
15. **FAV** – Wyświetla menu Ulubione.
16. **INFO** – Naciśnij jeden raz, żeby uzyskać informacje o bieżącym/następnym kanale. Naciśnij dwa razy, żeby uzyskać informacje o bieżącym programie.
17. **TEXT** – Tryb telegazety - Wchodzi w tryb telegazety.
18. **SUBTITLE** – Zmienia język napisów (jeśli są dostępne).
19. **TV** – Przełącza na źródło telewizji cyfrowej.
20. **YouTube** – wyświetla aplikację YouTube.
21. **NETFLIX** – wyświetla aplikację NETFLIX
22. **NET+** – wyświetla menu AQUOS NET+.
23. **Rec1** – Nagranie PVR.
24. – Cofnięcie bieżącego rozdziału.
25. – Przejście do następnego rozdziału
26. – Zatrzymanie odtwarzania (pauza).
27. **Rec List1** – Otwiera listę nagrań.
28. – Szybkie przewijanie do przodu.
29. – Szybkie przewijanie do tyłu.
30. – Odtwarzanie/pauza.
31. **KOLOROWE PRZYCIŚKI** – Dodatkowe funkcje telegazety i menu ekranowego.

<sup>1</sup> - dostępne tylko dla funkcji PVR

## Przyciski\* telewizora

- Vol+** Zwiększenie głośności i przejście w menu w prawo
- Vol-** Zmniejszenie głośności i przejście w menu w lewo
- CH+** Następny program/kanał i przejście w menu do góry
- CH-** Poprzedni program/kanał i przejście w menu w dół
- MENU** Wyświetla menu/menu ekranowe
- SOURCE** Wyświetla menu źródła wejściowego
- STANDBY** Włączenie/wyłączenie trybu czuwania

\* - **telewizory z przyciskami**

## Manipulator\* wielofunkcyjny

Manipulator wielofunkcyjny znajduje się w lewym dolnym narożniku na tylnym panelu telewizora. Można go użyć zamiast pilota do sterowania większością funkcji telewizora.

**Jeśli telewizor znajduje się w trybie czuwania:**

- krótkie naciśnięcie manipulatora - włączenie zasilania

**Podczas oglądania telewizji:**

- PRAWO/LEWO – zwiększenie/zmniejszenie głośności
- GÓRA/DÓŁ – zmiana kanału w górę/dół
- krótkie naciśnięcie – wyświetlanie menu
- długie naciśnięcie – przełączenie do trybu czuwania

**Przy otwartym menu:**

- PRAWO/LEWO/GÓRA/DÓŁ – nawigacja kursorem w menu ekranowym
- krótkie naciśnięcie – wybór elementu OK/Zatwierdź
- długie naciśnięcie – powrót do poprzedniego menu

\* - **telewizory z manipulatorem wielofunkcyjnym**

## Wybór trybu wejścia/źródła

Żeby przełączyć między różnymi wejściami/złączami.

**a) Przy pomocy przycisków pilota:**

1. Naciśnij [SOURCE/□] - Wyświetli się menu źródła.
2. Przyciskami [◀] i [▶] wybierz żądane wejście.
3. Naciśnij [OK].

**b1) Korzystanie z manipulatora\* na telewizorze:**

1. Naciśnij [SOURCE].
2. Przewiń w górę/dół przy pomocy przycisków VOL+/VOL-, żeby wybrać żądane wejście/źródło.
3. Naciśnij [SOURCE], żeby zmienić wejście/źródło na wybrane.

**b2) Korzystanie z manipulatora\*:**

1. Krótkie naciśnięcie manipulatora spowoduje otwarcie menu.
2. Naciśnięcie manipulatora umożliwiła nawigację kursora w menu ŹRÓDŁA SYGNAŁU.
3. Krótkie naciśnięcie manipulatora spowoduje otwarcie menu ŹRÓDŁA SYGNAŁU.
4. Przy pomocy manipulatora wybierz żądane wejście/źródło sygnału.
5. Krótkie naciśnięcie manipulatora spowoduje zmianę wejścia/źródła sygnału na wybrane.

\* - **Opcja**

## Złącza

Na stronie 68 dostępna jest tabela rodzajów złączy dostępnych dla różnych modeli.

	<b>USB</b> Wejście USB 2.0 - 1, 2; Wejście USB 3.0 - 3
	<b>HDMI 1, 2 (ARC), 3 in</b> Wejście HDMI 2.0 1, 2, 3
	<b>Czytnik kart SD</b> Wejście Karta SD
	<b>R/L - Video &amp; YPbPr audio In</b> Wejście Component/dźwięku wideo
	<b>Video (CVBS)</b> Wejście WIDEO
	<b>Component/YPbPr</b> Wejście Component HD
	<b>SCART</b> Wejście SCART
	<b>CI Card IN</b> Wejście CI
	<b>RF In</b> Wejście RF / anteny telewizyjnej
	<b>Sat In</b> Wejście satelitarne
	<b>Digital Optical Audio Out</b> Cyfrowe wyjście optyczne
	<b>RJ 45</b> Sieć Ethernet
	<b>HEADPHONES</b> Wyjście słuchawkowe 3,5 mm
	<b>D-link</b> wyłącznie wejście serwisowe

## Poruszanie się po menu telewizora

Żeby uzyskać dostęp do tego menu, naciśnij na pilocie przycisk [MENU]. Żeby wejść do menu, naciśnij [OK]. Jeśli chcesz dokonać zmian w ustawieniach domyślnych, użyj przycisków przewijania (▲/▼/◀/▶). Żeby zatwierdzić dowolne ustawienie, naciśnij przycisk [OK]. Żeby w dowolnym momencie wyjść z tego menu, naciśnij przycisk [EXIT].

## Netflix

Wiodąca na świecie telewizja internetowa Oferuje tysiące filmów i programów telewizyjnych, w tym oryginalne seriale, filmy dokumentalne i fabularne filmy pełnometrażowe. Abonenci mogą odtwarzać, zatrzymywać lub wznawiać oglądanie filmu albo programu, bez żadnych reklam i zobowiązań. Możesz zalogować się w tej aplikacji przy pomocy swojego istniejącego konta Netflix. Jeśli nie posiadasz konta Netflix, możesz zarejestrować się poprzez aplikację lub na oficjalnej stronie internetowej Netflix.

## YouTube

Aplikacja umożliwiająca wyszukiwanie i oglądanie oryginalnych filmów udostępnionych w serwisie internetowym.

**UWAGA:** Aplikacja Youtube będzie działała prawidłowo tylko wtedy, gdy data i godzina będą ustawione w telewizorze prawidłowo. Dodatkowe informacje na temat ustawień daty/godziny w telewizorze można znaleźć w rozdziale na temat menu CZAS w niniejszej instrukcji obsługi. Upewnij się, że sieć nie blokuje dostępu do serwisu Youtube i szybkość łącza internetowego jest dostatecznie duża, by umożliwić oglądanie materiałów z YouTube.

## Więcej aplikacji

Tutaj można łatwo znaleźć najpopularniejsze aplikacje.

**AQUOS NET+** - uruchamia portal Sharp SMART.

**Weather** - aplikacja prognozy pogody AccuWeather.

**Przeglądarka** - aplikacja umożliwiająca dostęp do stron internetowych. Nawigacja w przeglądarce:

- **CH+** - przewiń stronę do przodu
- **CH-** - przewiń stronę do tyłu
- **Przycisk czerwony** - pokaż/ukryj pasek menu przeglądarki
- **Przycisk żółty** - powiększ
- **Przycisk niebieski** - pomniejsz

## ŹRÓDŁA

To menu umożliwia przełączenie źródeł sygnału wejściowego podłączone urządzenie.

## Media

**USB** - tryb multimediu umożliwia odtwarzanie zawartości zapisanej na dysku USB. Zawartość zostanie podzielona na różne typy plików: zdjęcia, muzyka i filmy. "Opcja pliku" pokaże i pozwoli odtworzyć wszystkie typy obsługiwanej zawartości.

1. Możesz poruszać się po menu, używając strzałek ▲/▼/◀/▶. By wybrać plik, który chcesz odtworzyć/wyświetlić, wciśnij przycisk [OK].
2. Wyświetlając zawartość możesz zmieniać tryby odtwarzania przy użyciu pilota lub otwierając menu odtwarzania, wybierając tryb przyciskami ekranowymi ▲/▼/◀/▶ i zatwierdzając wybór przyciskiem [OK].

**UWAGA:** Nie są zalecane przedłużacze kabli USB, ponieważ mogą powodować pogorszenie jakości obrazu/dźwięku oraz przerwy w odtwarzaniu materiałów z pamięci USB.

**Miracast\*** - Umożliwia przeglądanie zawartości smartfona lub tabletu na ekranie telewizora. Połączenie bezprzewodowe zostanie utworzone za pomocą usługi Wi-Fi Direct, dzięki czemu nie jest konieczny dostęp do sieci Wi-Fi. Można udostępniać zawartość smartfona lub tabletu z systemem Android 4.4 lub nowszym.

**Serwer mediów** - automatycznie wyszukuje serwery mediów cyfrowych (DMS) podłączone do Twojej sieci domowej (takie jak dyski sieciowe NAS lub komputery) i umożliwia odtwarzanie oraz renderowanie zawartości z serwerów mediów.

\* - **Ta funkcja jest dostępna tylko na wybranych modelach smartfonów i notebooków.**

## Obraz

**Ustawienia obrazu** - Dokonaj wyboru z następujących ustawień.

- **Standard** - Ustawienia domyślne
- **Film** - ustawia bardziej stonowane kolory i niższą jasność.
- **Personalny** - Pozwala ręcznie zmienić wszystkie ustawienia
- **Eco** - Zużywa o 15% mniej energii.
- **Dynamiczny** - Zalecane ustawienie do szybko zmieniających się obrazów i bardzo jasnych pomieszczeń.

**Kontrast** - Zwiększa lub zmniejsza kontrast obrazu.

**Jasność** - Zwiększa lub zmniejsza jasność obrazu.

**Kolor** - Zwiększa intensywność koloru.

**Ostrość** - Zwiększa lub zmniejsza ostrość obrazu.

**Temperatura koloru** - Dokonaj wyboru spośród następujących ustawień.

- **Normalna** - Ustawienia domyślne
- **Ciepła** - Zwiększa poziom czerwieni na obrazie
- **Zimna** - Zwiększa poziom niebieskiego na obrazie

**Proporcje obrazu** - Format obrazu różni się w zależności od kanału/rodzaju sygnału. Dostępne są liczne opcje pozwalające najlepiej dopasować obraz, do Twoich potrzeb.

- **Auto** - Automatycznie wyświetlany jest obraz w najlepszym formacie. Obraz jest w prawidłowym położeniu. Mogą być widoczne czarne pasy na górze/dole i/lub po bokach obrazu.
- **4:3** - Wyświetla obraz 4:3 w oryginalnym formacie. Wyświetlają się pasy boczne, żeby wypełnić ekran 16:9.
- **16:9** - Ekran wypełniany jest standardowym sygnałem 16:9.
- **Powiększenie 1/2** - Obraz będzie wyświetlany w prawidłowych proporcjach, ale powiększony, żeby wypełnić ekran.
- **Pixel w pixel (HDMI)** - Oryginalny obraz będzie wyświetlony bez żadnych zmian.

- **Pełny obraz** - Obraz jest rozciągany, żeby wypełnić ekran.

**Ustawienia zaawansowane**

- **Redukcja szumu** - Filtruje i redukuje szum (zakłócenia) obrazu.
- **Aktywny kontrast** - Automatycznie dostosowuje podświetlenie i kontrast obrazu do jasności ekranu.
- **Podświetlenie** - Reguluje jasność obrazu poprzez obniżenie/podniesienie jasności podświetlenia ekranu.
- **Gamma** - Regulacja odcieni między jasnymi i ciemnymi fragmentami obrazu.
- **Czerwony** - Regulacja czerwonych odcieni obrazu
- **Zielony** - Regulacja zielonych odcieni obrazu
- **Niebieski** - Regulacja niebieskich odcieni obrazu

## Dźwięk

**Tryb dźwięku** - Wybierz jedno z poniższych ustawień

- **Standard** - Ustawienia domyślne
- **Muzyka** - Wypułka muzykę w stosunku do głośu
- **Film** - Zapewnia żywy i pełny dźwięk w filmach
- **Personalny** - Wybiera Twoje osobiste ustawienia dźwięku



- **Sport** - Uwypukla dźwięk przy sporcie
- Equalizer** - dostosowuje głośność dźwięku o różnych częstotliwościach. Poziomy głośności mogą być dostosowywane tylko wtedy, gdy włączony jest "Osobisty" tryb dźwięku.
- Balans** - Reguluje balans dźwięku prawy-lewy.

#### Sluchawki

- **Sluchawki+TV** - opcja umożliwiająca równoczesne odtwarzanie dźwięku z głośników telewizora i słuchawek.
- **Głośność** - regulacja poziomu głośności słuchawek.

**Automatyczny poziom głośności** - Gdy jest włączony, głośność pozostanie na tym samym poziomie niezależnie od wejścia/źródła.

**DTS TruSurround** - Pozwala włączyć lub wyłączyć efekt dźwięku dookołnego.

**Wyjście cyfrowe** - Jest to cyfrowe wyjście dźwięku.

Wybierz ustawienie z poniższych opcji:

- **Wyłącz** - Wyłączone
- **Auto** - Automatyczny wybór najlepszych ustawień
- **PCM** - Wybierz tę opcję jeżeli łączysz się ze sprzętem Hi-Fi poprzez kabel cyfrowy (kodowanie dźwięku PCM - Pulse Code Modulation).

**Przełącznik AD** - Dodatkowa ścieżka dźwiękowa dla osób niedowidzących.

Dostępna tylko w wybranych programach telewizji cyfrowej.

**Głośność AD** - Regulacja głośności ścieżki dźwiękowej AD.

**Ścieżka dźwiękowa** - umożliwia wybór innego sygnału audio/języka przekazu telewizyjnego lub emitowanego z podłączonych źródeł sygnału.

**Opóźnienie audio (ms)** - Pozwala użytkownikowi wyregulować synchronizację obrazu i dźwięku dla głośników telewizora.

**Opóźnienie wyj. cyfrowego (ms)** - Pozwala użytkownikowi wyregulować synchronizację obrazu i dźwięku dla zewnętrznych głośników podłączonych poprzez cyfrowe wyjście dźwięku.

## USTAWIENIA

### KANAŁ

**Antena DVB** - Ustawia typ sygnału DTV

- **DVB-T** - Sygnał telewizji naziemnej
- **DVB-C** - Sygnał telewizji kablowej

**Automatyczne wyszukiwanie** - Pozwala ponownie dobrać wszystkie cyfrowe kanały, cyfrowe stacje radiowe i kanały analogowe.

**Ręczne wyszukiwanie ATV** - Pozwala ręcznie dobrać sygnał analogowy.

**Ręczne wyszukiwanie DTV** - Pozwala ręcznie dobrać sygnał cyfrowy.

**Edycja programów** - Pozwala kasować, pomijać i dodawać ulubione kanały.

- **Przycisk czerwony** - służy do usunięcia wybranego kanału.
- **Przycisk żółty** - służy do przesunięcia wybranego kanału. Ustaw kursor na kanale, który chcesz przesunąć do innej pozycji, a następnie naciśnij przycisk ŻÓŁTY. Przy pomocy strzałek GÓRA/DÓŁ przesuń wybrany kanał na żądaną pozycję i ponownie naciśnij przycisk ŻÓŁTY, aby potwierdzić jego nową pozycję na liście kanałów.
- **Przycisk niebieski** - pomijanie wybranego kanału. Kanały wybrane do pomijania nie zostaną wyświetlone po naciśnięciu przycisku CH+ lub CH-.

**Informacje o sygnale** - Informacje o sygnale DVB.

**Informacja CI** - Płatne usługi wymagają włożenia do telewizora karty "smartcard". Jeśli zapiszesz się do usługi płatnych programów dostawca wyda Ci kartę "CAM" i "smartcard". Kartę CAM można włożyć do gniazda COMMON INTERFACE PORT (CI Card In).

**Sortowanie po LCN** - Ustaw opcję LCN na Włącz, jeśli chcesz ustawić kanały według preferencji dostawcy (dotyczy tylko kanałów DVB-T i DVB-C).

**Automatyczna aktualizacja kanałów** - jeśli opcja zostanie włączona, pozycje kanałów, nazwy i częstotliwości będą okresowo aktualizowane przez dostawcę sygnału telewizyjnego. Może to spowodować problemy z kolejnością kanałów na liście utworzonej przez użytkownika.

W takim przypadku nie zalecamy korzystania z tej opcji.

**Lista nagrań\*** - Lista zapisanych programów TV.

**Zaplanowana lista** - Lista przypomnień o programach.

**Konfiguracja anteny satelitarnej** - To menu dostępne jest tylko w trybie DVB-S2. Możesz wybrać typ satelity, transponder, typ LNB, itp.

**OAD (aktualizacja oprogramowania)** - włącz/wyłącz aktualizację oprogramowania OAD (over air download).

\* - tylko dla urządzeń z wbudowaną funkcją PVR

### SIEĆ

**Konfiguracja sieci** - najpierw musisz wybrać typ połączenia.

Możesz wybrać między Wi-Fi i połączeniem przewodowym.

**UWAGA:** Aby połączyć się z Internetem połączeniem przewodowym, podłącz kabel Cat 5/Ethernet telewizora (niezależny) do szerokopasmowego modemu/routera.

**Konfiguracja IP** - ustawienia połączenia sieci LAN

- **Automatyczna** - automatycznie połączy komputer z Twoją siecią domową (zalecane jest właśnie to ustawienie domyślne).
- **Manualna** - pozwala samodzielnie zmienić IP, maskę sieci, bramę sieciową i informacje o serwerach DNS.

**Konfiguracja Wi-Fi** - ustawienia połączenia sieci bezprzewodowej

- **Automatyczne wyszukiwanie Wi-Fi** - automatycznie wyszukuje dostępne sieci bezprzewodowe. Wybierz sieć Wi-Fi, a następnie wprowadź hasło (jeśli sieć jest m. chroniona). Gdy hasło zostanie zaakceptowane, nie będziesz później musiał wpisywać go ponownie.

**UWAGA:** Łączenie z siecią może potrwać kilka minut - zachowaj cierpliwość. Przy każdym włączeniu telewizor będzie automatycznie łączył się z wybraną siecią. To również może chwilę potrwać.

**Informacje o sieci** - Informacje o ustawieniach sieci

**Test sieci** - Test połączenia sieciowego

### CZAS

**Synchr. Aut.** - automatyczne ustawienie godziny i daty w telewizorze.

W tym celu niezbędne jest dostrojenie telewizora do stacji cyfrowej i/ lub podłączenie internetowe. Wyłącz funkcję „Synchr. Aut.”, żeby ręcznie ustawić godzinę i datę. Jeśli funkcja „Synchr. Aut.” będzie wyłączona, a data i godzina zostały ustawione ręcznie, ustawienie to zostanie skasowane, jeśli telewizor zostanie odłączony od sieci elektrycznej.

**Zegar** - Wyświetla datę i godzinę. Ustawienie jest możliwe, jeśli funkcja „Synchr. Aut.” jest wyłączona.

**Godzina wyłączenia** - Pozwala ustawić

określony czas wyłączenia telewizora.

**Godzina włączenia** - Pozwala ustawić określony czas włączenia telewizora, kanał, który zostanie wyświetlony, źródło i głośność. Funkcję można przełączyć do powtarzania codziennie lub konkretnego dnia.

**Wyłącznik czasowy** - Pozwala ustawić wyłącznik czasowy, żeby telewizor wyłączył się po określonym czasie. Wyłączenia -> 10min -> 20min -> 30min -> 60min -> 90min -> 120min -> 180min -> 240min.

**Czas wyświetlania Menu** - Pozwala ustawić czas, po którym menu ekranowe zostanie wyświetlone.

**Automatyczny tryb czuwania** - Ustawienie automatycznego trybu czuwania ze skokiem godzinowym: Wyłącz -> 3h -> 4h -> 5h.

**Strefa czasowa** - Zmiana bieżącej strefy czasowej.

### BLOKADA

**Blokada systemowa** - Pozwala zablokować lub odblokować menu. Zostaniesz poproszony o wprowadzenie 4-cyfrowego hasła. Użyj przycisku ◀, żeby wyjść z trybu wprowadzania hasła. Użyj przycisku ▶, żeby wyzdziżyć. Domyślne hasło to 0000.

**Ustaw hasło** - Zmiana domyślnego hasła.

**Blokuj program** - Blokada określonych programów.

**Blokada dla dzieci** - Blokada kanałów telewizyjnych na podstawie ograniczeń wiekowych.

**Blokada klawiszy** - Umożliwia blokadę manipulatora wielofunkcyjnego z tyłu telewizora

**Blokada źródeł** - Umożliwia ukrycie wybranych źródeł sygnału.

**Tryb hotelowy** - Zaawansowane ustawienia dla hoteli.

### USTAWIENIA

**Język** - Pozwala zmienić język menu.

**Język dźwięku** - Pozwala zmienić język dźwięku dla wybranych kanałów DVB.

**Język napisów** - Pozwala zmienić język napisów dla wybranych kanałów DVB.

**Pomoc dla niesłyszących** - Jeśli sygnał zapewnia wsparcie dla niesłyszących, można wyświetlić napisy naciskając przycisk "Subtitle". Jeśli pomoc dla niesłyszących jest włączona i przełączasz telewizor na program obsługujący napisy, zostaną one uaktywnione automatycznie.

**Niebieski ekran** - Gdy nie ma sygnału wejściowego, zmienia tło między przezroczystym a niebieskim (dostępne tylko dla niektórych źródeł).

**System plików PVR** - Opcje nagrywania PVR\*

- **Wybierz dysk** - Wybierz gniazdo USB i partycję dysku
- **Rozmiar pliku Timeshift** - Ustaw czas dla bufora przesunięcia czasowego
- **Formatowanie** - Możesz sformatować podłączony dysk USB w systemie plików FAT 32.

**OSTRZEŻENIE: WSZYSTKIE DANE Z DYSKU USB ZOSTANĄ SKASOWANE**

- **Szybkość** - Testuje prędkość zapisu dla podłączonych dysków USB.

\* - **tylko dla urządzeń z wbudowaną funkcją PVR**

**Pierwsza instalacja** - Uruchamia pierwszą instalację telewizora.

**Aktualizacja oprogramowania (USB)** - Od czasu do czasu możemy wypuszczać nowe wersje oprogramowania firmware usprawniające działanie telewizora (dostępne do pobrania). To menu pozwala zainstalować nowe oprogramowanie/firmware w telewizorze. Szczegółowy opis tej operacji będzie dołączony do oprogramowania firmware. Skontaktuj się z linią pomocy lub zapoznaj się ze stroną [www.sharp.eu/av/](http://www.sharp.eu/av/).

**Aktualizacja oprogramowania (NET)** - pozwala na aktualizację oprogramowania telewizora przez Internet. Ta funkcja będzie wyszukiwać nowe oprogramowanie i aktualizować je, gdy zajdzie potrzeba.

**UWAGA:** *Po każdym włączeniu telewizor będzie automatycznie szukał nowych wersji oprogramowania. Gdy znajdzie aktualizację, zapyta Cię, czy chciałbyś ją pobrać i zainstalować. Jeśli wybierzesz "Tak", telewizor zaktualizuje oprogramowanie do najnowszej wersji.*

**OSTRZEŻENIE:** *Nie wyłączaj telewizora przed zakończeniem aktualizacji!*

**Ustawienia fabryczne** - Resetowanie menu do wartości fabrycznych.

**HDMI CEC\*** - Pozwala sterować urządzeniami podłączonymi przez HDMI używając pilota od telewizora.

- **Lista urządzeń\*** - Pozwala uzyskać dostęp do menu urządzeń i obsługiwać menu przy pomocy pilota od telewizora.
- **HDMI CEC** - włączenie/wyłączenie funkcji HDMI CEC.
- **Automatyczny tryb czuwania\*** - Automatycznie włącza/wyłącza podłączone urządzenia poprzez HDMI CEC.
- **HDMI ARC\*** - Wysła sygnał dźwiękowy z telewizji naziemnej/satelitarnej poprzez HDMI z telewizora do odbiornika AV bez użycia dodatkowych kabli audio. Te funkcje są dostępne tylko dla wyjścia HDMI 2.

\* - **HDMI CEC musi być obsługiwany przez podłączone urządzenie.**

**HDMI EDID** - przesyła możliwości telewizora (rozdzielczość, obsługa audio itp.) bezpośrednio do urządzeń podłączonych poprzez interfejs HDMI. Ten element umożliwia przełączanie trybu wejściowego wybranego wejścia HDMI między HDMI i HDMI2.0.

- **Standardowe** - ustawienie zalecane w przypadku podłączenia telewizora do urządzenia wyposażonego w wyjście HDMI 1.4 (lub niższa wersja), np. odtwarzacza Blu-Ray Full HD, odtwarzacza DVD lub konsoli do gier.
- **Rozszerzenie** - ustawienie zalecane w przypadku podłączenia telewizora do urządzenia wyposażonego w wyjście HDMI 2.0, np. odtwarzacza Blu-ray 4K lub nowoczesnego komputera.

**Status LED** - Pozwala użytkownikowi włączyć lub wyłączyć wskaźnik diodowy zasilania, gdy telewizor pracuje. (Gdy ta opcja jest wyłączona, wskaźnik zasilania będzie pulsował, gdy używany jest pilot zdalnego sterowania).

**HbbTV** - umożliwia użytkownikowi wł./wyt. serwisu HbbTV.

Żeby korzystać z serwisu HbbTV, należy podłączyć telewizor do internetu. Oglądane kanały muszą obsługiwać serwis HbbTV.

**Wersja oprogramowania** - Pokazuje wersję oprogramowania telewizora.

**Edycja źródeł** - Ta opcja umożliwiła ręczną zmianę nazw elementów na liście sygnałów źródłowych. Możesz na przykład zmienić nazwy wejść na nazwy podłączonych urządzeń.

## AQUOS NET+

Portal AQUOS NET+ umożliwił korzystanie z licznych aplikacji lub przeglądanie stron WWW na ekranie telewizora LCD AQUOS. Aby otworzyć portal AQUOS NET+ naciśnij przycisk NET+ na pilocie lub wybierz Więcej aplikacji menu.

**UWAGA:** *Poczekaj, aż telewizor połączy się z siecią Wi-Fi.*

*Może to potrwać kilka minut od włączenia telewizora.*

Poruszaj się po menu, używając strzałek ▲/▼/◀/▶. By wybrać plik, który chcesz odtworzyć/wyświetlić, wciśnij przycisk [OK]. By cofnąć "do poprzedniego", naciśnij przycisk [Menu], a żeby otworzyć dodatkowe funkcje, użyj przycisków kolorowych. By wyjść z AQUOS NET+, naciśnij przycisk [EXIT].

**Start** - ekran z poleceniami filmami i ostatnio uruchamianymi aplikacjami

**Aplikacje** - otwiera listę dostępnych aplikacji.

**Filmy** - otwiera listę dostępnych filmów.

**Programy TV** - otwiera listę dostępnych programów telewizyjnych.

**Muzyka** - otwiera listę dostępnych serwisów muzycznych i teledysków.

**Gry** - lista gier i powiązanych aplikacji.

**Sport** - lista aplikacji powiązanych ze sportem.

**Wiadomości** - lista aplikacji powiązanych z serwisami informacyjnymi.

**Wyszukaj** - umożliwia wyszukiwanie aplikacji poprzez wprowadzenie nazwy lub jej części.

**Ulubione** - dodawanie aplikacji do listy „Ulubione” zapewnia szybki dostęp do ulubionych aplikacji. Żeby dodać aplikację do listy,

należy po prostu zaznaczyć dowolną aplikację i nacisnąć zielony przycisk, co spowoduje wyświetlenie się wybranej aplikacji na liście „Ulubione”. Żeby usunąć zbędną aplikację z listy „Ulubione”,

należy zaznaczyć żądaną aplikację i nacisnąć ZIELONY przycisk.

**Ustawienia** - w menu ustawień możesz zmienić język portalu Aquos NET+, ustawić filtrowanie wyszukiwania aplikacji według wybranego języka oraz zresetować wszystkie ustawienia użytkownika przywracając ustawienia domyślne.

**ZRESETOWANIE USTAWIENIŃ UŻYTKOWNIKA:** *Jeśli chcesz całkowicie usunąć wszystkie ustawienia użytkownika w portalu AQUOS NET+, musisz najpierw wybrać menu ustawień portalu, a następnie wybrać opcję „Zresetuj swoje urządzenie”. Przy pomocy kursora wybierz TAK i naciśnij przycisk OK na pilocie, aby potwierdzić zresetowanie tych ustawień.*

**UWAGA:** *By spełniać oczekiwania klientów, ulepszymy nasze produkty. W wyniku naszych nieustających starań do AQUOS NET+ będą sukcesywnie dodawane nowe aplikacje. Aplikacje i zawartość AQUOS NET+ mogą zostać zmienione bez powiadomienia. Niektóre funkcje i zawartość mogą być niedostępne w Twoim kraju.*

## 7-dniowy program telewizyjny

Program telewizyjny jest dostępny w trybie cyfrowej telewizji. Dostarcza informacje o zbliżających się programach (gdy jest to obsługiwane przez kanał cyfrowy). Możesz zobaczyć czas rozpoczęcia i zakończenia wszystkich programów oraz wszystkie kanały przez następne 7 dni, a także ustawić przypomnienia.

1. Naciśnij przycisk [TV GUIDE]. Pojawi się program telewizyjny na 7 dni.

2. Poruszaj się po menu przy pomocy przycisków ▲/▼/◀/▶.

**Możesz teraz:**

Nagrać wybrany kanał telewizyjny i program naciskając przycisk CZERWONY.\*

Ustaw przypomnienie naciskając przycisk ZIELONY.

Wyświetl poprzedni dzień naciskając przycisk ŻÓŁTY.

Wyświetl następny dzień naciskając przycisk NIEBIESKI.

Przycisk [INFO] wyświetla szczegółowe informacje o wybranej pozycji

3. Naciśnij [EXIT], żeby wyjść z programu telewizyjnego.

\* - **Tylko dla modeli z funkcją nagrywania.**

## Nagrywanie USB - tryb cyfrowy\*

Telewizor posiada wbudowany moduł nagrywania USB. Funkcja jest dostępna w trybie cyfrowym, gdy używana jest w połączeniu z kompatybilną pamięcią USB lub twardym dyskiem USB. Zalety tego rozwiązania są następujące:

- Możliwość zapauzowania nadawanego programu telewizyjnego, szybkie przewijanie do przodu i do tyłu (do aktualnie nadawanego sygnału).
- Nagrywanie jednym przyciskiem, jeśli postanowisz nagrać bieżący program.
- Łatwe programowanie nagrywania przy pomocy 7-dniowego programu telewizyjnego.

Ze względu na charakter produktu konieczne jest użycie pamięci USB o dużej prędkości (ponieważ telewizor jednocześnie zapisuje i odczytuje dane, niektóre pamięci mogą być nieodpowiednie).

Minimalne wymagania - pamięć USB

- **Prędkość odczytu** - 20 Mb/s (megabajtów na sekundę)
- **Prędkość zapisu** - 6 Mb/s (megabajtów na sekundę)

## Pauszowanie emitowanego programu (przesunięcie czasowe)\*

Pauszowanie emitowanego programu jest bardzo proste.

- Naciśnij przycisk odtwarzania/pauzy, a obraz na telewizorze zostanie zatrzymany i rozpocznie się nagrywanie emitowanego programu. Żeby wznowić oglądanie, naciśnij ponownie przycisk odtwarzania/pauzy. Naciśnij przycisk przewijania do przodu, żeby przejść do dalszej części nagrania (np. pominąć reklamy).
- Naciśnij przycisk przewijania do tyłu, żeby cofnąć nagranie (np. jeśli przewinąłeś za daleko).

**WSKAZÓWKI:** Gdy przełączysz telewizor do trybu czuwania lub zmienisz kanał, pamięć przesunięcia czasowego jest kasowana. Żeby wznowić funkcję przesunięcia czasowego, musisz nacisnąć przycisk odtwarzania/pauzy.

## Nagrywanie jednym przyciskiem

W dowolnym momencie możesz nagrać aktualnie oglądany program. Żeby to zrobić, musisz nacisnąć przycisk [REC].

**WSKAZÓWKI:** Opisany telewizor posiada jeden tuner telewizyjny, więc można nagrywać tylko oglądany kanał lub nagrywać jeden kanał, gdy telewizor jest w trybie czuwania.

**UWAGA:** Funkcja nagrywania USB dostępna jest tylko w trybie telewizji cyfrowej. Ze względu na prawa autorskie i nielegalne kopiowanie/nagrywanie, nie jest możliwe nagrywanie na/z innych wejścia/wyjścia.

\* - tylko dla urządzeń z wbudowaną funkcją PVR

## HDR (High Dynamic Range - wysoki zakres dynamiki)

Materiały wideo zarejestrowane w formacie HDR pozbawione są ograniczeń standardowego sygnału wideo i wyświetlane są z szerszą gamą kolorów i w wyższej jasności.

**UWAGA:**

- Funkcja HDR zostanie aktywowana automatycznie po wykryciu sygnału HDR, pod warunkiem, że opcja HDMI EDID w menu 'USTAWIENIA' zostanie ustawiona na "Rozszerzenie".
- Opisany telewizor może wyświetlać materiały HDR z wejść HDMI i USB.
- W przypadku podłączenia przy pomocy portów HDMI, zewnętrzne urządzenie musi również obsługiwać format HDR oraz HDMI2.0, a także odtwarzać materiał zarejestrowany w formacie HDR.
- Opisywane urządzenie nie obsługuje materiałów HDR z zewnętrznych aplikacji takich jak Netflix czy YouTube.

## Karta produktu

Znak towarowy	
Model	LC-50UI7222E LC-50UI7322E LC-50UI7422E
Klasa wydajności energetycznej	A+
Widoczny rozmiar ekranu (przekątna)	50" / 127cm
Zużycie energii w trybie włączenia	70,0 W
Roczne zużycie energii*	102 kWh
Zużycie energii w trybie czuwania**	<0,50 W
Zużycie energii przy wyłączonym zasilaniu	N/A
Rozdzielczość ekranu	3840 (H) x 2160 (V)

\* - **Pobór energii XYZ kWh rocznie w oparciu o zużycie energii przy pracy 4 godziny dziennie przez 365 dni. Rzeczywiste zużycie energii zależy od wykorzystania telewizora.**

\*\* - **gdy telewizor jest wyłączony pilotem i żadna funkcja nie jest aktywna**

## Belangrijke veiligheidsinstructies



**Lees deze veiligheidsinstructies en let op de volgende waarschuwingen voordat het apparaat in gebruik wordt genomen:**

**Om vuur te voorkomen houdt altijd kaarsen en ander open vuur verwijderd van dit product.**



- Televisietoestellen met 43"-formaatschermen of groter dienen door minstens 2 personen te worden opgetild en gedragen.
- Deze TV bevat geen onderdelen welke door de gebruiker kunnen worden gerepareerd. In het geval van falen, neem contact op met de fabrikant of een geautoriseerde onderhoudsdealer. Contact met bepaalde delen in de TV kunnen uw leven in gevaar brengen. Onder de garantie vallen geen fouten door reparaties uitgevoerd door ongeautoriseerde derden.
- Verwijder niet de achterkant van het apparaat.
- Dit apparaat is ontworpen voor het ontvangen en vermeerderen van beeld- en geluidssignalen. Elk ander gebruik is streng verboden.
- Om de TV los te koppelen van de netspanning trekt u de stekker uit het stopcontact.
- Indien het voedings snoer beschadigd is, moet deze worden vervangen door de fabrikant, een onderhoudsdealer of gelijkwaardig gekwalificeerde personen om gevaar te voorkomen.
- De ideale afstand om TV te kijken is ongeveer vijf keer de diagonale afstand van het scherm. Reflecties op het scherm van andere lichtbronnen kunnen de kwaliteit van het beeld verergeren.
- Zorg ervoor dat de TV voldoende ventilatie heeft en niet vlak naast andere apparaten en meubelstukken staat.
- Zorg voor een minimale afstand van 5 cm rondom het apparaat voor voldoende ventilatie.
- Zorg ervoor dat de ventilatie-openingen vrij zijn van artikelen zoals kranten, tafelkleden, gordijnen, etc.
- De TV-set is ontworpen voor gebruik in mild klimaat.
- Stel de TV niet bloot aan lekkende of spetterende vloeistoffen.
- De TV-set is alleen ontworpen voor gebruik op een droge plaats. Bij gebruik van de TV buiten, zorg ervoor dat deze beschermd is tegen vocht (regen, spetterend water). Nooit aan vocht blootstellen.
- Plaats geen voorwerpen, bakken met vloeistoffen zoals vazen, etc. op de TV. Deze houders kunnen omver gegooid worden, welke de elektrische veiligheid in gevaar brengt. Plaats de TV alleen op vlakke en stabiele ondergronden. Plaats geen artikelen zoals kranten of dekens, etc. op of onder de TV.
- Zorg ervoor dat het apparaat niet op voedingskabels staat omdat deze beschadigd kunnen raken. Mobiele telefoons aan andere apparaten zoals WLAN-adapters, beveiligingscamera's met draadloze verbinding, etc. kunnen elektromagnetisch storen en moeten niet in de buurt van het apparaat worden opgesteld.
- Plaats het apparaat niet naast hitte elementen of op een plaats in direct zonlicht omdat deze een negatief effect hebben op de koeling van het apparaat. Hittinge opslag is gevaarlijk en kan de levensverwachting van het apparaat ernstig verminderen. Om de veiligheid te garanderen, vraag een gekwalificeerd persoon de stof te verwijderen van het apparaat.

- Probeer schade aan het voedings snoer en adapter te vermijden. Het apparaat kan alleen met het geleverde voedings snoer worden aangesloten.
- Storm is gevaarlijk voor alle elektrische apparaten. Indien de voeding of antenne door bliksem wordt geraakt kan het apparaat beschadigd raken, zelfs wanneer deze is uitgeschakeld. U moet alle kabels en aansluitingen verwijderen van het apparaat voor een storm.
- Om het scherm van het apparaat schoon te maken, gebruik een zachte vochtige doek. Gebruik alleen schoon water, geen schoonmaakmiddelen en nooit oplosmiddelen.
- Plaats de TV vlak naast de muur om de mogelijkheid van vallen door omver stoten te voorkomen.
- **WAARSCHUWING** - Plaats nooit een televisie op een onstabiele locatie. Een televisietoestel kan vallen en ernstig persoonlijk letsel of de dood veroorzaken. Veel verwondingen, met name die bij kinderen, kunnen worden voorkomen door het nemen van eenvoudige voorzorgsmaatregelen zoals:
  - Gebruik kasten of standaards, die zijn aanbevolen door de fabrikant van uw televisie.
  - Gebruik alleen meubels, die de televisie veilig kunnen ondersteunen.
  - Zorg ervoor dat de televisie niet over de rand hangt van het ondersteunende meubilair.
  - Plaats de televisie niet op een hoog meubelstuk (bijvoorbeeld servies- of boekenkasten) zonder dat u het meubelstuk en de televisie op de juiste manier heeft verankerd.
  - Plaats de televisie niet op een kleed of ander materiaal op het ondersteunende meubelstuk.
  - Leer kinderen dat het gevaarlijk is om op meubels te klimmen om de televisie of de afstandsbediening te bereiken.
  - Zorg ervoor dat kinderen niet op de TV klimmen of hangen.
  - Als u uw bestaande televisie wilt bewaren en verplaatsen gelden dezelfde waarschuwingen als hierboven staat aangegeven.
  - De instructies hieronder omschrijven een veiligere manier om de TV op te stellen door deze aan de wand te bevestigen en vermijd de mogelijkheid dat deze valt met letsel en schade als gevolg.
  - Voor dit type installatie bent u een bevestigingskoord nodig.
    - A) Gebruik makend van een of beide van de bovenste montage gaten en schroeven (de schroeven zijn al geleverd in de montage gaten) bevestig een uiteinde van het bevestigingskoord aan de TV.
    - B) Bevestig het andere uiteinde van het bevestigingskoord aan uw muur.
  - **Opmerking:** Bij een elektrostatische ontlading (ESD) kan het apparaat een storing vertonen. Schakel dan de TV uit en opnieuw aan. De TV zal normaal werken.

### Waarschuwing:

- Gebruik de tv-set niet meteen nadat u deze hebt uitgepakt. Wacht tot de tv is opgewarmd tot de kamertemperatuur alvorens u deze gebruikt.
- Zorg er voor dat er altijd vrije toegang is tot de stekker van de TV.
- Het apparaat is niet ontworpen voor gebruik op een werkvloer voorzien van monitoren.
- Het systematisch gebruik van koptelefoons op hoog niveau kan leiden tot permanente gehoorschade.
- Zorg voor een milieuvriendelijke verwijdering van dit apparaat en elk van de componenten inclusief batterijen. Bij twijfel, neem contact op met uw plaatselijke autoriteiten voor details over recycling.
- Tijdens installatie van het apparaat, vergeet niet dat oppervlakken van meubels behandeld zijn met verschillende beitsen, plastics, etc. of dat deze gepolijst zijn. De chemicaliën in deze producten kunnen reageren met de voet van de TV. Dit kan tot gevolg hebben dat stukjes van het materiaal kleven aan het oppervlak van het meubel, welke moeilijk te verwijderen zijn, zo niet onmogelijk.
- Het scherm van uw TV is geproduceerd onder omstandigheden van de hoogste kwaliteit en is meerdere keren gecontroleerd op defecte pixels. Door technologische kenmerken van het fabricageproces, is het niet mogelijk het bestaan van een klein aantal defecte punten op het scherm te voorkomen (zelfs bij maximale zorg tijdens productie). Deze defecte pixels worden niet als fouten gezien in termen van garantie condities,

indien hun aantal niet groter is dan de grenzen zoals omschreven door de DIN-norm.

- De fabrikant kan niet verantwoordelijk gehouden worden, of aansprakelijk gesteld worden, voor aan klantenservice gerelateerde kwesties gerelateerd aan inhoud of diensten van derden. Vragen, opmerkingen of service gerelateerde inlichtingen in relatie met inhoud of diensten van derden moeten direct bij de toepasselijke leverancier van inhoud of diensten ingediend worden.
- Er is een scala aan mogelijkheden waarom u geen toegang heeft tot diensten of inhoud op het apparaat welke niet gerelateerd aan het apparaat zelf zijn, waaronder, maar niet beperkt tot, stroomstoring, de internet verbinding of incorrecte instelling van uw apparaat. Universal Media Corporation, haar directeuren, managers, werknemers, agenten, aannemers en partners zijn niet aansprakelijk jegens u of enige derde met betrekking tot dergelijke storingen of onderbrekingen voor onderhoud, ongeacht de oorzaak en of dit al dan niet had kunnen worden voorkomen.
- Alle inhoud en diensten van derden toegankelijk via dit apparaat worden aan u geleverd op een basis van "zoals geleverd" en "zoals beschikbaar" en Universal Media Corporation en haar partners bieden geen garantie of vertegenwoordiging in welke form dan ook jegens u, zowel uitdrukkelijk als impliciet, waaronder, zonder beperking, enige garanties tot verkoopbaarheid, geen inbreuk, geschiktheid voor een bepaald doel of enige garanties voor geschiktheid, beschikbaarheid, volledigheid, veiligheid, eigendom, bruikbaarheid, gebrek aan nalatigheid, of storsingsvrij of ononderbroken werking of gebruik van de inhoud of diensten aan u geleverd of dat de inhoud of diensten tegemoet komen aan uw vereisten of verwachtingen.
- 'Universal Media Corporation' is geen agentschap en neemt geen verantwoordelijkheid voor de daden of omissies van inhoud of diensten van derde leveranciers, noch enig aspect van de inhoud of dienst gerelateerd aan dergelijke derde leveranciers.
- In geen geval zal 'Universal Media Corporation' e'/of haar partners aansprakelijk jegens u zijn of enige derde partij voor enige directe, indirecte, speciale, incidentele, strafbare, ten gevolge van of andere schades, of de theorie van aansprakelijkheid gebaseerd is op contract, onrechtmatigheid, nalatigheid, inbreuk of garantie, stikte aansprakelijkheid of anderszins en al dan niet Universal Media Corporation en/of haar partners geadviseerd zijn van de mogelijkheid van dergelijke schades.

## Belangrijke informatie voor gebruik van videospellen, computers, afbeeldingen en andere vertoningen van stilstaande afbeeldingen.

- Het langdurig gebruik van geprogrammeerd materiaal met stil staande beelden kan een permanente "schaduw afbeelding" op het LCD scherm veroorzaken (hieraan wordt soms incorrect gerefereerd als "ingebrand beeld"). Dit schaduw beeld is dan permanent zichtbaar op het scherm in de achtergrond. Dit is onomkeerbare schade. U kunt dergelijke schade voorkomen door onderstaande instructies te volgen.
- Verminder de instelling van achtergrondverlichting/contrast tot een minimaal kijkniveau.
- Vertoon het stilstaande beeld niet voor langere perioden. Vermijd vertoning van:
  - Teletext tijd en grafieken,
  - TV/DVD menu, bijv. DVD inhoud,
  - In „Pause“ modus (stilstaan): Gebruik deze functie niet voor langere tijd, bijv. tijdens het kijken van een DVD of video.
  - Schakel het apparaat uit wanneer u deze niet gebruikt.

## Batterijen

- Gebruik de juiste polariteit tijdens het plaatsen van de batterijen.
- Stel de batterijen niet bloot aan hoge temperaturen en plaats deze niet op plaatsen waar de temperatuur snel kan oplopen, bijv. naast het vuur of in direct zonlicht.
- Stel de batterijen niet bloot aan stralende hitte, gooi deze niet in het vuur, haal deze niet uit elkaar en

probeer niet onoplaadbare batterijen op te laden. Deze kunnen lekken of ontploffen.

- Gebruik nooit verschillende batterijen of meng nieuwe en oude.
  - » Verwijder de batterijen op een milieuvriendelijke manier.
  - » In de meeste Europese landen is de verwijdering van batterijen gereguleerd.

## Verwijdering

- Verwijder deze TV niet als ongesorteerd huisafval. Breng deze naar een hiervoor bestemd verzamelpunt voor recycling van WEEE. Door dit te doen helpt u het behoud van grondstoffen en beschermt u het milieu. Neem contact op met uw verkoper of plaatselijk autoriteiten voor meer informatie.



## CE verklaring:

- Hierbij verklaart, UMC Poland Sp. z o.o. dat deze LED-tv voldoet aan de essentiële vereisten en andere relevante bepalingen van de RED richtlijn 2014/53/EU. De volledige tekst van de EU-conformiteitsverklaring is beschikbaar via de link <https://www.sharppconsumer.eu/documents-of-conformity/>

## Handelsmerken

- De begrippen HDMI en HDMI High-Definition Multimedia Interface en het HDMI logo zijn handelsmerken of geregistreerde handelsmerken van HDMI Licensing, LLC in de Verenigde Staten en andere landen.
- Het logo 'DIGITALEUROPE UHD Display' is een handelsmerk van DIGITALEUROPE.
- Het DVB logo is het geregistreerde handelsmerk van het Digital Video Broadcasting - DVB - project.
- Geproduceerd onder licentie van Dolby Laboratories. Dolby, Dolby Audio en het dubbele D symbool zijn handelsmerken van Dolby Laboratories.
- Voor DTS-patenten, zie <http://patents.dts.com>. Gefabriceerd onder licentie van DTS Licensing Limited. DTS, Symbol & DTS en het Symbol zijn samen geëdeponeerde handelsmerken. DTS Studio Sound is een handelsmerk van DTS, Inc. © DTS, Inc. Alle rechten voorbehouden.
- YouTube en het YouTube logo zijn handelsmerken van Google Inc
- Het Wi-Fi CERTIFIED logo is een keurmerk van Wi-Fi Alliance
- Wi-Fi CERTIFIED Miracast en Miracast zijn handelsmerken van Wi-Fi Alliance.
- DLNA, het DLNA logo en DLNA CERTIFIED zijn handelsmerken, service-merken of keurmerken van Digital Living Network Alliance.
- Harman Kardon is een handelsmerk van HARMAN International Industries, Incorporated, geregistreerd in de Verenigde Staten en/of andere landen.



Cd

## Inhoud van de doos

### Levering van deze TV omvat de volgende onderdelen:

- |   |                                 |
|---|---------------------------------|
| • 1x TV   | • 1x installatie pakket TV-voet |
| • 1x Afstandbediening   | • 1x Gebruikershandleiding      |
| • 2x AAA batterijen   |                                 |
| • 1x wandmontageset (4x M6x35 schroeven en 4x plastic afstandhouders) |                                 |

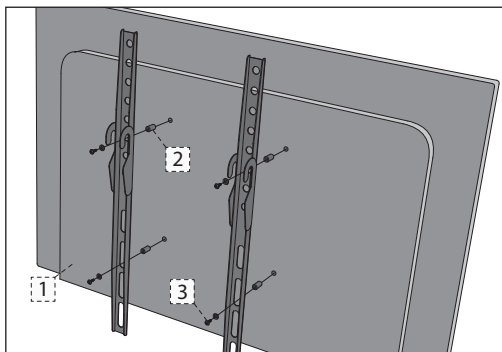
## Montage van de voet

Volg de instructies op de laatste pagina van deze gebruikershandleiding.

## Wandmontage van de TV

1. Verwijder de vier schroeven die worden geleverd in de muurmontagegaten.
2. De wandsteun kan nu eenvoudig worden bevestigd aan de montagegaten op de achterkant van de TV.
3. Installeer de wandbevestigingsbeugel aan de televisie, zoals door de fabrikant van de bevestigingsbeugel wordt geadviseerd.

Bij het bevestigen van muurbeugels voor het 50"-model: in plaats van de meegeleverde schroeven in de wandbevestigingsgaten in de tv, raden wij u aan om de langere schroeven en afstandhouders te gebruiken die zijn meegeleverd in het accessoirepakket. Plaats afstandhouders in de wandbevestigingsgaten in de tv aan de achterkant van de tv en plaats de wandbeugels er vervolgens op. Bevestig de wandbeugels en afstandsstukken aan de tv met langere schroeven, zoals hieronder afgebeeld:



1. TV
2. AFSTANDSHOUDER
3. SCHROEF

**OPMERKING:** De tv en het type wandbeugel in de afbeelding dienen uitsluitend ter illustratie.

## Beginnen - eerste keer instellen

1. Sluit de tv via de RF-kabel aan op het TV Aerial-stopcontact.

2. Voor aansluiting op het internet via een bedrade verbinding sluit een cat5/ethernetkabel (niet meegeleverd) aan van de tv naar uw breedband modem/router.
  3. Sluit het netsnoer aan op de achterkant van de tv. Vervolgens aansluiten op het stopcontact.
  4. Plaats de meegeleverde batterijen in de afstandbediening.
  5. Druk dan op de stand-by-toets om de TV aan te zetten.
  6. U zult verwelkomt worden door het scherm **Eerste Installatie**. Indien dit niet verschijnt, op de afstandbediening, druk [MENU] dan 8-8-8-8 en het menu zal verschijnen. Indien u de standaard instellingen wenst te veranderen, gebruik de navigatie ▲/▼/◀/▶ knoppen. Om dit menu op elk moment te verlaten, druk op de [EXIT] knop.
  7. **Stel de gewenste instellingen in op het EERSTE INSTALLATIE scherm.**
    - STAP 1** - Stel de taal van het tv-menu in.
    - STAP 2** - Stel uw land in.
    - STAP 3** - Stel het soort netwerkverbinding in. Indien u deze stap wilt overslaan en de tv op een later moment op het netwerk wil aansluiten, dan kiest u voor Netwerkinstelling overslaan
    - STAP 4** - Selecteer de locatie van de tv. Voor thuisgebruik selecteert u Thuismodus. Voor de winkeldemonstratiemodus stelt u Winkelmodus in.
    - STAP 5** - Geef aan of uw tv op een standaard staat of dat deze aan de wand is gemonteerd. De tv kiest automatisch de optimale audio-instellingen voor de geselecteerde optie.
    - STAP 6** - Kies de ingangsbron die u wilt gebruiken. Als u de RF-kabel direct op de tv hebt aangesloten, kiest u DTV. Als u een satelliet direct hebt aangesloten op uw tv, dan kiest u DVB-S\*. Indien u een settopbox gebruikt, selecteer dan de correcte tv-ingang waarop deze is aangesloten.
  8. Als u bij de laatste stap DTV of DVB-S2 hebt gekozen, krijgt u de vraag of u de zenders wilt instellen. Als u "Nee" kiest, dan kunt u de zenders later instellen vanuit het INSTELLINGEN/KANAAL-menu. Als u "Ja" kiest, dan verschijnt het instelmenu.
    - Instellen digitale tv (DTV):** Bij DVB Antenne kiest u welk soort signaal u hebt. Ether (DVB-T) of kabel (DVB-C). Ga vervolgens naar Automatisch afstemmen en stel de gewenste instellingen in. Kies nogmaals Automatisch afstemmen om het instellen van de zenders te starten.
    - Instellen satelliet (DVB-S2):** Ga naar Automatisch afstemmen en kies Satelliet. Hier kunt u kiezen uit verschillende satellieten. Selecteer de satelliet die u wilt instellen door op de OK-knop op de afstandsbediening te drukken. Ga vervolgens terug naar het vorige menu door op de BACK-knop (TERUG) op uw afstandsbediening te drukken en kies Automatisch afstemmen om te beginnen met het instellen van zenders.
- OPMERKING:** Om de isnteltijd voor satellietzenders te verkorten, hebben sommige landen een vooraf geïnstalleerde zenderlijst met de meest populaire zenders in die regio. Als dit het geval is voor het door u geselecteerde land, krijgt u de vraag of u deze vooraf geïnstalleerde zenderlijst wilt laden. Als u "Yes" (Ja) kiest, dan wordt de satellietzenderlijst binnen enkele seconden naar uw tv geïmporteerd.
- TIP:** Indien u kanalen mist, is de reden waarschijnlijk de sterkte van het signaal, u kunt overwegen een versterker aan te sluiten en opnieuw te zoeken.

## Nuotolinio valdymo punktas

1. **STAND-BY** – Schakelt TV in wanneer in stand-by en andersom.
2. **MUTE** – Demp het geluid of andersom.
3. **0-9** – kies direct een TV-kanaal.
4. **TV GUIDE** – Opent de 7 daagse TV gids (Digitale modus).
5. **↺** – Om terug te keren naar het vorig bekeken kanaal.
6. **PICTURE** – Navigeer door beeldmodus opties.
7. **VOL ▲/▼** – Het geluid harder / zachter zetten.

8. **CH ▲/▼** – Volgende en vorige kanaal.
9. **SOUND** – Navigeer door geluidsmodus opties.
10. **SOURCE** – Het menu input/bron tonen.
11. **MENU** – Menuschermtoneel.
12. **EXIT** – Alle menu's verlaten.
13. **(▲/▼/◀/▶/OK)** – Hiermee navigeert u de menu's op het scherm en past u de instellingen van het systeem aan uw voorkeuren aan.
14. **BACK** – Terug naar vorig menu.
15. **FAV** – Toont menu favorieten.
16. **INFO** – Druk eenmaal voor huidige/volgend kanaalinformatie. Druk twee maal voor programma informatie over het huidige programma.
17. **TEXT** – Teletext modus - Om naar Teletext te gaan.
18. **SUBTITLE** – Om de ondertiteling onderin het beeld te schakelen (aan/uit).
19. **TV** – Schakel naar digitale TV bron.
20. **YouTube** – Toont YouTube applicatie.
21. **NETFLIX** – Toont NETFLIX applicatie.
22. **NET+** – Toont AQUOS NET+ menu.
23. **Rec<sup>1</sup>** – PVR Opnemen.
24. **◀◀** – Om het huidige hoofdstuk opnieuw te starten
25. **▶▶** – Om naar het volgende hoofdstuk te gaan
26. **■** – Om het afspelen te stoppen.
27. **Rec List<sup>1</sup>** – Opent de lijst met opnames.
28. **◀◀** – Snel terugspoelen.
29. **▶▶** – Snel vooruit spoelen.
30. **⏸** – Om af te spelen/pauzeren
31. **KLEUREN KNOPPEN** – Extra teletext en menuscherm functies

<sup>1</sup> - alleen beschikbaar bij PVR-functie

## TV knoppen\*

**Vol+** Volume omhoog en menu rechts

**Vol-** Volume omlaag en menu links

**CH+** Programma/kanaal omhoog en menu omhoog

**CH-** Programma/kanaal omlaag en menu omlaag

**MENU** Toont menu/menuschermtoneel

**SOURCE** Toont het input bron menu

**STANDBY** Stand-by Aan/Uit

\* - **alleen voor TV's met tv-knoppen**

## TV-bedieningsstick\*

De TV-bedieningsstick bevindt zich op de linker benedenhoek aan de achterkant van de TV. U kunt deze in plaats van uw afstandsbediening gebruiken om de meeste functies van uw TV te bedienen.

**Terwijl de TV in de standby-modus staat:**

- druk kort op uw bedieningsstick - Power On

**Terwijl u TV kijkt:**

- RECHTS/LINKS - volume omhoog/omlaag
- OMHOOG/OMLAAG - verandert kanaal
- kort indrukken - Toont Menu
- lang indrukken - Standby Power On

**Terwijl u in het menu bent:**

- RECHTS/LINKS/OMHOOG/OMLAAG - navigatie van cursor in de menu's op het scherm
- kort indrukken - OK/Bevestigen van geselecteerde item
- lang indrukken - Terug naar het vorige menu

\* - **alleen voor TV's met tv-bedieningsstick**

## Modus kiezen Ingang/Bron

Om te schakelen tussen verschillende ingangen/verbindingen.

**a) Gebruik de knoppen op de afstandsbediening:**

1. Druk op [SOURCE/☐] - Het bron menu zal verschijnen.
2. Druk op [◀] of [▶] om de gewenste ingang te kiezen.
3. Druk op [OK].

**b1) Gebruik de knoppen\* op de televisie:**

1. Druk op [SOURCE].
2. Navigeer omhoog / omlaag met de VOL+/VOL- knoppen om de gewenste ingang/bron te kiezen.
3. Druk op [SOURCE] om de ingang/bron naar de keuze te veranderen.

**b2) Met de TV-bedieningsstick\*:**

1. Druk de bedieningsstick kort in om het menu te openen.
2. Druk op de bedieningsstick en navigeer de cursor naar het menu BRONNEN.
3. Druk kort op de bedieningsstick om het menu BRONNEN te openen.
4. met de bedieningsstick kunt u de desgewenste input/bron selecteren.
5. Door kort op de bedieningsstick te drukken kunt u de input/bron naar de geselecteerde veranderen.


\* - **optioneel**

## Verbindingen


Zie tabel voor type connectoren voor verschillende beschikbare modellen op pagina 68.

 **USB**  
USB 2.0-ingang - 1, 2; USB 3.0-ingang - 3

 **HDMI 1, 2 (ARC), 3 in**  
HDMI2.0-ingang 1, 2, 3


 **SD-kaartlezer**  
SD-kaart Ingang


 **R/L - Video & YPbPr audio In**  
Component / Video audio ingang


 **Video (CVBS)**  
VIDEO ingang

 **Component/YPbPr**  
Component HD Ingang

 **SCART**  
SCART-Ingang


 **CI Card IN**  
CI ingang

 **RF In**  
RF / TV Antenne ingang

 **Sat In**  
Satelliet ingang

 **Digital Optical Audio Out**  
Digitale optische uitgang

 **RJ 45**  
Ethernet

 **HEADPHONES**  
3.5mm Hoofdtelefoon uitgang

 **D-link**  
alleen service-input

## TV menu navigatie

Voor toegang tot dit menu, druk op de [MENU] knop op de afstandsbediening. Om een menu te betreden druk op [OK], indien u de standaard instellingen wenst te veranderen, gebruik de navigatie

(▲/▼/◀/▶) knoppen. Om een instelling te bevestigen druk op de [OK] knop. Om dit menu op elk moment te verlaten, druk op de [EXIT] knop.

## Netflix

5 werelds grootste internettelevisienetwerk. Netflix biedt duizenden films en tv-series aan, waaronder originele series, documentaires en speelfilms. Leden kunnen deze afspelen, pauzeren en hervatten, zonder reclame en verplichtingen. U kunt inloggen op deze applicatie met uw bestaande Netflix-account. Als u nog geen Netflix-account hebt, dan kunt u zich registreren via deze app of via de officiële Netflix-website.

## YouTube

Met deze videosharing-app kunt u ook video's ontdekken en bekijken.

**OPMERKING:** Om te zorgen dat de Youtube-app werkt, is het vereist om de juiste tijd en datum in te stellen op de tv. Voor meer informatie over het instellen van de datum/tijd op de TV kijkt u in het hoofdstuk TJD-menu in deze gebruikershandleiding. Zorg ervoor dat uw netwerk de toegang tot YouTube niet blokkeert en dat de uw internetsnelheid hoog genoeg is om YouTube-video's te bekijken.

## Meer apps

Bevat de meest gebruikte apps voor snelle en gemakkelijke toegang.

**AQUOS NET+** - Openet het Sharp SMART portal.

**Weather** - Weersvoorspellingsapp AccuWeather.

**Browser** - Applicatie voor de toegang tot websites via internet. Navigeren in de browser:

- **CH+** - omhoog scrollen
- **CH-** - omlaag scrollen
- **Rode knop** - browsermenubalk tonen/verbergen
- **Gele knop** - Inzoomen
- **Blauwe knop** - Uitzoomen

## Bronnen

Vanuit dit menu kunt u uw TV-sigitaal omschakelen naar een andere bron/ aangesloten apparaat.

## Media

**USB** - Multimedia modus waarmee verschillende inhoud opgeslagen op een USB-stick afgespeeld kan worden. De inhoud zal verdeeld worden naar verschillende bestandstypes: Foto, muziek en film. De 'Bestand optie' toont en laat u alle ondersteunde inhoud afspelen.

1. U kunt door het menu navigeren met de ▲/▼/◀/▶ knoppen. Om het bestand te bevestigen dat u wilt afspelen/bekijken druk op de [OK] knop.
2. Tijdens het afspelen van inhoud kunt u de afspeelmodi bedienen met de knoppen van de afstandbediening of door het afspeelmenu op te roepen en de knoppen ▲/▼/◀/▶ en [OK] op het scherm te selecteren.

**OPMERKING:** USB verlengkabels worden niet aanbevolen omdat deze een vermindering van beeld-/audiokwaliteit en onderbrekingen kunnen veroorzaken tijdens het afspelen van USB inhoud.

**Miracast\*** - Hiermee kunt u inhoud op uw smartphone of tablet op het tv-scherm bekijken. Draadloze verbinding wordt gevormd met behulp van Wi-Fi Direct, dus toegang tot een Wi-Fi-netwerk is niet nodig. U kunt de inhoud van uw smartphone of tablet delen via Android 4.4 en nieuwere systemen.

**Media Server** - Zoekt automatisch naar digitale media servers (DMS) verbonden op uw thuisnetwerk en laat u inhoud van media servers afspelen en weergeven.

\* - Deze functie is alleen beschikbaar om geselecteerd smartphones en notebooks.

## Beeld

**Beeld modus** - Kies uit de volgende instellingen.

- **Standaard** - Standaard instelling
- **Film** - Om de kleuren lichter en minder helder in te stellen.
- **Persoonlijk** - Hiermee kunt handmatig de instellingen aanpassen
- **Eco** - Verbruik 15% minder energie.
- **Dynamisch** - Aanbevolen instelling voor snel bewegende beelden

**Contrast** - Schakel de balans tussen zwart en wit.

**Helderheid** - Verhoog of verlaag de helderheid van het beeld.

**Kleur** - Verhoogt de kleuren van zwart tot wit.

**Scherpte** - Verhoog of verlaag de scherpte van het beeld.

**Kleur temperatuur** - Kies uit de volgende instellingen.

- **Normaal** - Standaard instellingen
- **Warm** - Verhoog rood binnen het beeld
- **Koud** - Verhoog blauw binnen het beeld

**Beeldformaat** - Afbeeldingsformaat varieert afhankelijk van kanaal/ uitzending. Er zijn verschillende opties om uw wensen tegemoet te komen.

- **Auto** - Toont automatisch het beste afbeeldingsformaat. Zodat het beeld op de juiste positie staat. Kan zwarte boven/onder en/ of zijanten vertonen.
- **4:3** - Toont het 4:3 beeld in origineel formaat. Zijbalken worden vertoond om het 16:9 scherm te vullen.
- **16:9** - Vult het scherm met een normaal 16:9 signaal.
- **Zoom 1/2** - Het beeld staat op de juiste positie maar is ingezoomd om het scherm te vullen.
- **Punt bij punt (HDMI)** - Toont het beeld in de oorspronkelijke resolutie zonder aanpassingen
- **Schermvullend** - Trekt het signaal uit om het scherm te vullen.

**Expertinstellingen**

- **Ruisonderdrukking** - Filtert en verminderd ruis (storing) in het beeld
- **Actief contrast** - Optimaliseert automatisch 'backlight' en 'contrast' van het beeld in afhankelijk van de helderheid van het scherm.
- **Achtergrondverlichting** - Pas de helderheid van het scherm aan door de backlight van het scherm te verhogen/verlagen.
- **Gamma** - Pas de tonen aan tussen de heldere en lichte stukken van het beeld.
- **Rood** - Pas de roodtonen aan van het beeld
- **Groen** - Pas de groentonen aan van het beeld
- **Blauw** - Pas de blauwtonen aan van het beeld

## Geluid

**Geluidsmodus** - Kies uit de volgende instellingen

- **Standaard** - Standaard instellingen
- **Muziek** - Benadrukt muziek voor stemmen
- **Film** - Geeft een live en vol geluid voor films
- **Persoonlijk** - Kies uw persoonlijke instellingen
- **Sport** - benadrukt geluiden voor sport

**Equalizer** - Past het volume aan van verschillende geluidsfrequenties.

De geluidsniveaus van de equalizer kunnen alleen aangepast worden wanneer de geluidsmodus 'persoonlijk' geselecteerd is.

**Koptelefoon**

- **HP+TV** - optie om geluid vanuit de TV-luidsprekers en hoofdtelefoon tegelijk af te spelen.
- **Volume** - Het volume aanpassen van een hoofdtelefoon

**Balans** - Om het geluid tussen de linker en rechter speaker te schakelen.

**Automatische geluidsstrekte** - Wanneer 'aan' geselecteerd is, zal het volume op een constant niveau blijven ongeacht van ingang/bron.

**DTS TruSurround** - Hiermee zet u het surround sound effect AAN of UIT.



**Digitale uitgang** - Dit is de digitale audio ingang. Kies uit de volgende opties:

- **Uit** - Uit
- **Auto** - Selecteert automatisch de beste instellingen
- **PCM** - Kies deze optie indien u verbinding maakt met een Stereo Hi-Fi installatie via een digitale kabel (Pulse-code modulatie (PCM) is een digitale representatie van een analoog signaal)

**Audio beschrijving** - Aanvullende geluidsband voor slecht zienden. Alleen beschikbaar voor geselecteerde DTV shows.

**AB volume** - om het volume van de geluidsband van Audio Beschrijving aan te passen.

**Geluidsspoor** - hiermee kunt u verschillende audio/taal voor Digital TV of media selecteren.

**Audio vertraging (ms)** - Hiermee kan de gebruiker de geluidsinstelling aanpassen om het beeld en audio voor TV speakers te synchroniseren.

**SPDIF vertraging (ms)** - Hiermee kan de gebruiker de geluidsinstelling aanpassen om het beeld en audio voor externe speakers verbonden via digitale audio uitgang te synchroniseren.

## Instellingen

### KANAAL

**DVB antenne** - Stel het type DTV signaal in

- **Antenne** - Antenne (DVB-T)
- **Kabel** - Kabel (DVB-C)

**Auto afstemmen** - Hiermee stelt u de televisie opnieuw in voor alle digitale kanalen, digitale radiostations en analoge kanalen.

**ATV handmatig afstemmen** - Hiermee zoekt u handmatig naar uw analoog signaal.

**DTV handmatig afstemmen** - Hiermee zoekt u handmatig naar uw digitaal signaal.

**Kanaal aanpassen** - Hiermee kunt u kanalen verwijderen, overslaan of toevoegen aan uw favorieten.

- **Rode knop** - geselecteerde kanaal verwijderen.
- **Gele knop** - geselecteerde kanaal verplaatsen. Ga met de cursor naar het kanaal, dat u wilt verplaatsen naar een andere locatie en druk daarna op de GELÉ-knop. Verplaatst u het geselecteerde kanaal met de pijltjesknop OMHOOG/OMLAAG naar de gewenste positie en druk nogmaals op de GELÉ knop om deze nieuwe positie in de zenderlijst te bevestigen.
- **Blaauwe knop** - Het geselecteerde kanaal overslaan. Kanalen, die geselecteerd zijn om over te slaan, zullen niet worden weergegeven als u op de knoppen CH+ of CH- drukt.

**Signaal informatie** - Informatie over DVB signaal.

**CI informatie** - Betaalzendes vereisen een "smartcard" welke in de TV gestoken moet worden. Indien u zich abonneert op een betaalzender zal de provider u voorzien van een "CAM" en een "smartcard". De CAM kan dan in COMMON INTERFACE PORT (CI Card In) geplaatst worden.

**LCN** - Zet LCN op AAN indien u kanalen wilt sorteren op voorkeur van provider (alleen van toepassing voor DVB-T en DVB-C kanalen).

**Zenderlijst automatisch bijwerken** - als u deze optie op ON zet, zullen kanaalposities, namen en frequenties periodiek door de provider worden bijgewerkt. Dit kan problemen veroorzaken als u zelf kanalen in de lijst hebt besteld. In dat geval raden we aan om deze optie op OFF te houden.

**Opnamelijst\*** - Lijst van opgenomen TV shows.

**Planlijst** - Lijst met uw programma herinneringen.

**Schotel installatie** - Dit menu is alleen beschikbaar in DVB-S2 modus. U kunt het type satelliet, uw transponder en uw type LNB, enz. kiezen.

**OAD (software-update)** - OAD software-update ("over-the-air"-download) in-/uitschakelen.

\* - **alleen voor apparaten met ingebouwde PVR functie**

### NETWERK

**Netwerk configuratie** - u moet eerst het type verbinding kiezen.

U kunt kiezen uit WiFi of Bedraad (kabel) verbinding.

**OPMERKING:** Om te verbinden met het internet via een bedrade verbinding, sluit een cat5/ethernet kabel aan (niet meegeleverd) van de tv naar uw breedband modem/router.

**IP configuratie** - LAN netwerk instellingen verbinding

- **Auto** - Verbindt automatisch de tv met uw thuisnetwerk (dit is de standaard instelling en wordt sterk aanbevolen)
- **Handmatig** - Hiermee kunt u handmatig IP, Netmask, Gateway en DNS informatie veranderen.

**WiFi configuratie** - Instellingen draadloos netwerk verbinding

- **WiFi auto zoeken** - Zoekt automatisch naar beschikbare draadloze netwerken. Kies het gewenste WiFi netwerk en voer dan het wachtwoord van het netwerk in (indien het wachtwoord beschermd is met een wachtwoord). Wanneer het wachtwoord geaccepteerd wordt, zult u hier niet weer om gevraagd worden.

**OPMERKING:** Het verbindingproces kan enkele minuten duren, wees geduldig. Elke keer dat de tv ingeschakeld wordt zal deze automatisch verbinding maken met het netwerk, dit kan ook enkele ogenblikken duren.

**Netwerk info** - Informatie over de instellingen van het netwerk

**Netwerk test** - Een verbindingstest van het netwerk

### TIJD

**Auto Sync** - Stelt automatisch de tijd en datum in op de tv.

Hiervoor moet de tv afgestemd zijn op een digitaal signaal en/of verbinding met internet hebben. Schakel "Auto Sync" uit, om de tijd en datum handmatig in te stellen. Als "Auto Sync" uitgeschakeld is en de tijd en datum handmatig ingesteld worden, dan wordt deze informatie gereset als de tv uitgezet wordt.

**Klok** - Toont de datum en tijd. Deze kan aangepast worden als "Auto Sync" is uitgeschakeld.

**Uitschakeltijd** - Hiermee kunt u een specifieke tijd instellen waarop uw TV uitgeschakeld wordt.

**Inschakeltijd** - Hiermee kunt u een specifieke tijd instellen waarop uw TV ingeschakeld wordt, de te tonen zender, de bron en ook het volume. Deze functie kan op dagelijks herhalen gezet worden of voor een aparte dag.

**Slaap timer** - Hiermee stelt u de slaaptimer in zodat de TV automatisch uitgeschakeld wordt na een ingestelde tijdsduur. Uit-> 10min -> 20min -> 30min -> 60min -> 90min -> 120min -> 180min -> 240min.

**OSD Timer** - Hiermee stelt u de tijdsduur in waarop het menu op het scherm getoond wordt voordat deze verdwijnt.

**Automatische Standby** - Instellingen voor automatisch stand-by in stappen per uur: Uit -> 3uur -> 4uur -> 5uur.

**Tijdzone** - Verander uw huidige tijdzone.

### SLOT

**Systeem/vergrendelen** - Hiermee zet u het menu op of van slot. U zult gevraagd worden een 4 cijferige wachtwoord in te vullen.

Gebruik de ◀ knop om de invoer van het wachtwoord af te breken.

Gebruik de ▶ knop om te wissen. Standaard wachtwoord is 0000

**Wachtwoord instellen** - Verander het standaard wachtwoord.

**Programma blokkeren** - Blokkeer specifieke TV zenders.

**Ouderlijke controle** - Blokkeer TV zenders op basis van leeftijdsbeperking.

**Toetsenblokkering** - Hiermee kunt u aan de achterzijde van de tv-set de stick voor de tv-bediening vergrendelen.

**Bronblokkering** - Hiermee kunt u de geselecteerde invoer van het bronmenu verbergen.

**Hotel Modus** - Geavanceerde instellingen voor hotels.

### CONFIGURATIE

**Taal** - hiermee stelt u de taal van het menu in.

**Audiotaal** - Hiermee stelt u de audiotaal in van geselecteerde DVB kanalen.

**Ondertiteling taal** - Hiermee stelt u de ondertiteling taal in van geselecteerde DVB kanalen.

**Slecht horenden** - Indien het signaal ondersteuning biedt voor slecht horenden, kunnen ondertitels afgespeeld worden door te drukken op "Subtitle". Indien u Slecht horenden AAN heeft gezet en naar een kanaal schakelt met ondersteuning voor slecht horenden zullen ondertitels automatisch geladen worden.

**Blauw scherm** - Verandert de achtergrond wanneer er geen input is tussen transparante en een blauwe achtergrond (alleen beschikbaar voor sommige bronnen).

**PVR bestandsysteem** - PVR opname opties\*

- **Selecteer schijf** - Selecteer USB en schijf partitie
- **Time Shift Afmeting** - stel tijdsduur in van shift buffer.
- **Formateer** - U kunt aangesloten USB opslagapparaten formateren naar FAT 32 bestandsindeling.

**WAARSCHUWING: ALLE GEGEVENS OP HET USB APPARAAT ZULLEN WORDEN VERWIJDERD**

- **Snelheid** - Test de schrijfsnelheid van aangesloten USB opslagapparaten.

\* - **alleen voor apparaten met ingebouwde PVR functie**

**Eerste keer installeren** - Start de eerste installatie.

**Software actualisatie(USB)** - Van tijd tot tijd kunnen wij nieuwe software vrijgeven om het functioneren van de televisie te verbeteren (beschikbaar als download). Met dit menu kunt u de nieuwe software/firmware installeren op de televisie. Verdere details over de werking hiervan zullen worden vrijgegeven met de firmware. Neem contact op met de helpdesk of zie de 'www.sharp.eu/av' website.

**Software Upgrade (NET)** - Hiermee kan de software van uw tv via het internet geüpdatet worden. Deze functie zoekt naar nieuwe software en update wanneer nodig.

**OPMERKING:** De tv zal automatisch zoeken naar nieuwe software elke keer dat deze ingeschakeld wordt. Indien nieuwe software gevonden wordt, zal u gevraagd worden of u deze downloadt en installeert wilt. Wanneer u "Ja" kiest zal de tv upgraden naar de nieuwste software.

**WAARSCHUWING:** Schakel de tv niet uit voordat de upgrade voltooid is!

**Opnieuw instellen** - Dit reset de menu's naar de fabrieksinstellingen.

**HDMI CEC\*** - Hiermee kunt u via HDMI verbonden apparaten bedienen met de afstandsbediening van de TV.

- **Apparaatlijst\*** - Hiermee heeft u toegang tot het menu van het apparaat en kunt u dit menu bedienen met de afstandsbediening van de TV.
- **HDMI CEC** - de HDMI CEC-functie in-/uitschakelen.
- **Automatische Standby\*** - Automatisch inschakelen/uitschakelen van via HDMI CEC verbonden apparaten.
- **HDMI ARC\*** - Stuur audio signalen van een antenne/satelliet uitzending via HDMI naar de AV ontvanger zonder gebruik van audio kabels, deze functie is alleen beschikbaar op HDMI 2 uitgang.

\* - **HDMI CEC moet ondersteund zijn voor verbonden apparaat.**

**HDMI EDID** - zendt de mogelijkheden van de TV (resolutie, audio-ondersteuning etc.) rechtstreeks naar de apparaten die d.m.v. HDMI zijn aangesloten. Met dit item kunt u tussen de HDMI- en HDMI2.0-modi schakelen om uw gewenste HDMI-invoermodus te kiezen.

- **Standard** - aanbevolen als de TV is aangesloten op een apparaat met een HDMI 1.4-uitgang of lager, bijvoorbeeld een Full HD Blu-Ray-speler, DVD-speler of gameconsole.
- **Verbetering** - aanbevolen als de TV is aangesloten op een apparaat met een HDMI 2.0-uitgang, bijvoorbeeld een 4K Blu-ray-speler of een moderne PC.

**LED status** - Hiermee kan de gebruiker de LED spanningsindicator AAN of UIT schakelen, wanneer de TV gebruikt wordt. (Wanneer de optie UIT staat zal de spanningsindicator knippen wanneer de afstandsbediening gebruikt wordt).

**HbbTV** - Hiermee kan de gebruiker HbbTV aan/uit-schakelen. Om HbbTV te gebruiken, dient de TV verbonden te zijn met het internet en het gewenste kanaal dient de HbbTV-service te ondersteunen.

**Versie info** - toont de software versie van de TV.

**Bron bewerken** - Hiermee kunnen gebruikers de namen van items in uw lijst met invoerbronnen handmatig wijzigen. U kunt bijvoorbeeld de naam van een bepaalde invoer wijzigen in de naam van een aangesloten apparaat.

## AQUOS NET+

Met AQUOS NET+ heeft u de mogelijkheid met uw AQUOS LCD TV van verschillende applicaties te genieten of op het web te surfen. Voor toegang op elk moment tot het AQUOS NET+ menu druk op de NET+ knop op de afstandsbediening of selecteer deze van het Meer apps.

**OPMERKING:** *Wacht totdat de tv verbonden is met het WiFi-netwerk.*

*Dit kan enkele ogenblikken duren nadat u de tv inschakelt.*

Navigeer door het menu met de ▲/▼/◀/▶ knoppen. Om het bestand te bevestigen dat u wilt afspelen/bekijken druk op de [OK] knop. Voor 'een stap terug' druk op de [Menu] knop, en voor toegang tot extra functies gebruik de gekleurde knoppen. Om AQUOS NET+ te verlaten druk op de [EXIT] knop.

**Thuis** - Beginscherm met aanbevolen films en recent geopende applicaties.

**Alle apps** - Opent een lijst met beschikbare applicaties

**Films** - Opent een lijst met beschikbare films

**TV Shows** - Opent een lijst met beschikbare series

**Muziek** - Opent een lijst met beschikbare muziek en muziek clips

**Games** - Lijst met games en gaming-gerelateerde apps.

**Sport** - Lijst van sportgerelateerde apps.

**Nieuws** - Lijst van nieuwsapps.

**Zoeken** - een app zoeken door de de naam of een deel van de naam in te voeren.

**Favorieten** - Door apps toe te voegen aan de "Favorieten"-lijst kunt u snel toegang verkrijgen tot uw favoriete apps. Om een app toe te voegen aan de lijst, hoeft u deze alleen maar te selecteren en op de groene knop te drukken. De app verschijnt vervolgens in uw "Favorieten"-lijst. Om een ongewenste app uit de "Favorieten"-lijst te verwijderen, selecteert u de app die u wilt verwijderen en drukt u op de GROENE knop.

**Instellingen** - In het instellingenmenu kunt u de taal van het Aquos NET+-portaal wijzigen, een filter instellen om specifiek applicaties te vinden in de geselecteerde taal en alle gebruikersinstellingen resetten naar de fabrieksinstellingen.

**RESETTEN VAN GEBRUIKERSINSTELLINGEN:** *Als u alle gebruikersinstellingen op AQUOS NET+ wilt resetten, gaat u eerst naar het Instellingenmenu van het portaal. Selecteer "Portaal herstellen". Kies JA met de cursor en druk vervolgens op OK op de afstandsbediening om het resetten van de instellingen te bevestigen.*

**OPMERKING:** *Om tegemoet te komen aan de wensen van onze klanten, verbeteren wij al onze producten. Als gevolg van onze voortdurende inspanning zullen voortdurend nieuwe applicaties toegevoegd worden aan AQUOS NET+. Applicaties en inhoud in AQUOS NET+ kunnen zonder aankondiging veranderd worden. Sommige functies en inhoud kunnen niet in uw land beschikbaar zijn.*

## 7 Daagse TV gids

TV gids is beschikbaar in Digitale TV modus. Deze geeft informatie over aanstaande programma's (waar ondersteund door het digitale kanaal). U kunt de begin- en eindtijden zien van alle programma's en op alle kanalen voor de komende 7 dagen en herinneringen instellen.

1. Druk op **[TV GUIDE]**. De volgende 7 daagse TV gids zal verschijnen.

2. Navigeer door het menu gebruik makend van ▲/▼/◀/▶.

**U kunt nu:**

Geselecteerde TV kanalen en Tv shows opnemen door op de **RODE** knop te drukken.\*

Een herinnering instellen door op de **GROENE** knop te drukken.

Een vorige dag bekijken door op de **GELE** knop te drukken.

Een volgende dag bekijken door op de **BLAUWE** knop te drukken.

**[INFO]** toont gedetailleerde informatie over het geselecteerde onderwerp

3. Druk op **[EXIT]** om de 7 daagse TV gids te verlaten.

\* - **alleen voor modellen met opname functie**

## USB Opname - Digitale modus\*

In deze TV ingebouwd zit een USB opname functie. Deze functie is beschikbaar in Digitale modus bij gebruik in samenwerking met een compatibele USB stick of USB harde schijf. De voordelen hiervan zijn als volgt:

- Pauzeer live Tv en speel deze af, snel vooruit en terug (tot live TV).
- Een opnameknop, indien u wenst het huidige programma op te nemen.
- Gemakkelijk programmeerbare opname van de 7 daagse Tv gids.

Door de aard van het product, is het vereist een hoge snelheid USB stick te gebruiken (omdat de TV tegelijkertijd leest vanaf en schrijft op de geheugenstick, kunnen sommige geheugensticks niet geschikt zijn).

Minimale specificaties - USB geheugenstick

- **Leessnelheid** - 20 Mb/s (Megabit per seconde)
- **Schrijfsnelheid** - 6 Mb/s (Megabit per seconde)

### Pauzeer live TV (Time Shift)\*

Pauzeren van live Tv is heel simpel.

- Druk op de afspreek/pauze knop en de televisie pauzeert en de live inhoud zal worden opgenomen, Om verder te kijken druk nogmaals op afspreek/pauze.
- Druk op snel vooruit spoelen om snel vooruit te spoelen in een opname (bijv. om reclame over te slaan).
- Druk op snel terugspoelen om terug te spoelen in een opname (bijv. wanneer u te ver vooruit gespoeld heeft).

**TIP:** Wanneer u de Tv naar stand-by schakelt of van zender verandert wordt het Time Shift geheugen gewist. Om time shift opnieuw te starten druk op de afspreek/pauze knop.

### Een knop opname

Op elk moment kunt u kiezen het huidige kanaal dat u bekijkt op te nemen. Druk hiervoor op de [REC] knop.

**TIP:** Deze televisie bevat een TV tuner, hierdoor kunt u alleen het kanaal dat u bekijkt opnemen of een kanaal opnemen terwijl de TV op stand-by staat.

**OPMERKING:** USB opname functie is alleen beschikbaar in Digitale TV modus. Door wetgeving omtrent auteursrechten en illegaal kopiëren/opnemen is het

niet mogelijk naar/vanaf een andere ingangs-/uitgangsbron op te nemen.

\* - **alleen voor apparaten met ingebouwde PVR functie**

## HDR (High Dynamic Range)

HDR-video neemt enkele beperkingen van een standaard videosignaal weg en laat het beeld zien dat is opgebouwd uit een bredere scala aan kleuren en helderheid.

### OPMERKINGEN:

- De HDR-functie wordt automatisch geactiveerd als er een HDR-signaal wordt gedetecteerd, op voorwaarde dat HDMI EDID is ingesteld op "Verbetering" in het menu "CONFIGURATIE".
- Deze televisie kan HDR-inhoud weergeven via HDMI- of USB-ingangen.
- Als u verbinding maakt via een van de HDMI-poorten, dient het externe apparaat ook HDR, HDMI2.0 te ondersteunen en HDR-inhoud kunnen afspelen.
- Dit apparaat ondersteunt geen HDR-inhoud van ingebouwde apps zoals Netflix of YouTube.

## Productblad

Handelsmerk	
Model	LC-50UJ7222E LC-50UJ7322E LC-50UJ7422E
Energielabel	A+
Zichtbare schermgrootte (Diagonaal)	50" / 127cm
Energieverbruik ingeschakeld	70,0 W
Jaarlijks energieverbruik*	102 kWh
Energieverbruik stand-by**	<0,50 W
Energieverbruik uitgeschakeld	N/A
Schermeresolutie	3840 (H) x 2160 (V)

\* - **Energieverbruik XYZ kWh per jaar, gebaseerd op het energieverbruik bij gebruik van de televisie gedurende 4 uur per dag gedurende 365 dagen. Het daadwerkelijke energieverbruik zal afhankelijk zijn van het gebruik van de televisie.**

\*\* - **wanneer de TV uitgeschakeld wordt met de afstandbediening en geen functies actief zijn**

Technical specification | Technische Angaben | Spécification technique | Specifiche tecniche | Especificación técnica | Especificação técnica | Dane techniczne | Technische specificaties

Model	TUNER	HDMI Input	SD Card reader	USB Input	SCART	RF Input - (Analog /Digital)	Sat. Input	CI Card Input	R/L Audio input for Composite/ CVBS & Component YPbPr	Composite/CVBS Video & Component YPbPr Input	Optical Audio output	3.5 mm headphones output	RJ 45
LC-50UI7222E	T/T2/C/S2	x3	x1	x3	x1	x1	x1	x1	x1	x1	x1	x1	x1
LC-50UI7322E	T/T2/C/S2	x3	x1	x3	x1	x1	x1	x1	x1	x1	x1	x1	x1
LC-50UI7422E	T/T2/C/S2	x3	x1	x3	x1	x1	x1	x1	x1	x1	x1	x1	x1



4K  
RESOLUTION



HDR  
HIGH DYNAMIC RANGE



HDMI



H.265  
HEVC



SOUND SYSTEM BY  
harman/kardon

Model | Modell | Modèle | Modello | Modelo | Modelo | Model | Model

LC-50UI7222E  
LC-50UI7322E  
LC-50UI7422E

Audio power | Musikleistung | Puissance audio | Potenza audio | Potencia de audio | Potência de áudio | Moc dźwięku | Audio vermogen

2 x 10W

Voltage | Spannung | Tension | Voltaggio | Voltaje | Voltagem | Napięcie | Spanning

AC 220V~240V; 50Hz;

Power consumption | Stromverbrauch | Consommation d'énergie | Consumo energetico | Consumo de electricidad | Consumo energético | Pobór mocy | Energieverbruik

(Ecohome/Standard/Max/Standby/Annum); EEI | (Ecohome/Standard/Max/Standby/Jährlich); EEI | (Ecohome/Standard/Max/Standby/Annum); EEI | (Ecohome/Standard/Max/Standby/Anno); IEE | (Económica/Estándar/Máximo/En espera/Año); EEI | (Ecohome/Standard/Max/Standby/Annum); EEI | (Eco/Standard/Maks/Tryb czuwania/Rocznie); EEI | (Ecohome/Standard/Max/Standby/Annum); EEI

70/95/115W/  
<0,5W / 102kWh; A+



3840 x 2160



50" / 127cm



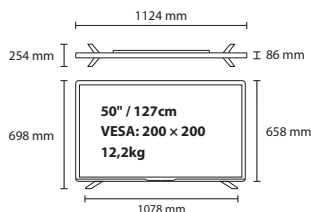
300 cd/m<sup>2</sup>

WiFi frequency range | WiFi-Frequenzbereich | Gamme de fréquences WiFi | Intervallo di frequenza WiFi | Rango de frecuencia WiFi | Faixa de frequência WiFi | Zakres częstotliwości WiFi | WiFi-frequentiebereik

2412 - 2472 MHz, 5150 - 5875 MHz

WiFi transmit power (max) | WiFi-Sendeleistung (max.) | Puissance de transmission WiFi (max) | Potenza di trasmissione WiFi (max) | Potencia de transmisión WiFi (máx.) | Potência de transmissão WiFi (máx.) | Moc transmisji WiFi (max) | WiFi zendvermogen (max)

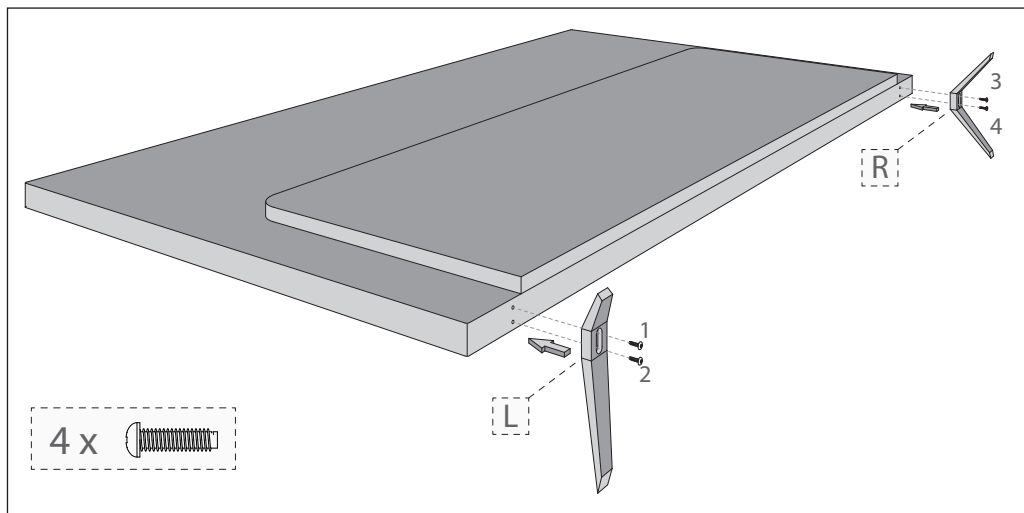
18.9 dBm EIRP (77.6mW)



**Stand Installation**  
**Ständermontage**  
**Installation du support**

**Installazione supporto**  
**Instalación del soporte**  
**Instalação do Suporte**

**Instalacja podstawy**  
**Installatie voet**



**English:** To assemble the base stand to the TV you will need a cross head screwdriver. To avoid damage to the TV screen during assembly ensure the TV is placed on a soft flat surface with the LCD screen facing downwards.

**Deutsch:** Zur Befestigung des Ständers am Fernsehgerät benötigen Sie einen Kreuzschraubendreher. Legen Sie das Fernsehgerät mit dem LCD-Bildschirm nach unten auf eine weiche, flache Oberfläche, um Schäden am Fernsehschirm zu vermeiden.

**Français :** Pour monter le support sur la TV, un tournevis pour vis cruciforme sera nécessaire. Pour éviter d'endommager l'écran TV pendant le montage, s'assurer que la TV est placée sur une surface plate, douce, avec l'écran LCD dirigé vers le bas.

**Italiano:** Per attaccare il supporto al televisore avete bisogno di un cacciavite a stella. Per evitare di danneggiare lo schermo del televisore durante l'operazione, assicuratevi che questo sia posizionato su una superficie piatta e morbida, con lo schermo LCD all'ingiù.

**Español:** Para instalar el soporte a la televisión, se necesita un destornillador de estrella. Para evitar dañar la pantalla de la televisión durante su montaje, asegúrese de colocar el aparato en una superficie plana suave con el panel LCD hacia abajo.

**Português:** Para montar o suporte da base do televisor necessitará de uma chave de fendas em cruz. Para evitar danos no ecrã do televisor enquanto estiver a montar, certifique-se de que o televisor se encontra colocado numa superfície suave e lisa, com o ecrã LCD voltado para baixo.

**Polski:** Żeby zamocować podstawę telewizora potrzebny jest śrubokręt krzyżowy. Żeby uniknąć uszkodzenia ekranu podczas montażu, ułóż telewizor na miękkiej, płaskiej powierzchni z ekranem LCD skierowanym do dołu.

**Nederlands:** Om de voet aan de TV te bevestigen bent u een kruiskop schroevendraaier nodig. Om schade aan de TV te voorkomen tijdens de assemblage plaats de TV op een zacht vlak oppervlak met het LCD scherm naar beneden gericht.

**Compatible files in USB Mode | Für den USB Modus geeignete Dateiformate | Fichiers compatibles en mode USB | File compatibili in modalità USB | Archivos compatibles en modo USB | Ficheiros compatíveis no Modo USB | Pliki kompatybilne w trybie USB | Compatibile bestanden in USB modus**

Media	Codec	Resolution	Data Rate	File Ext.
Movie	MPEG1/2	1080Px2@30fps 1080P@60fps	80Mbps	.DAT, .VOB, .MPG, .MPEG, .ts, .trp, .tp, .mp4, .mov, .3gpp, .3gp, .avi, .mkv, .asf
	MPEG4	1080Px2@30fps 1080P@60fps	40Mbps	.MPG, .MPEG, .mp4, .mov, .3gpp, .3gp, .avi
	XviD	1080Px2@30fps 1080P@60fps	40Mbps	.divx, .mp4, .mov, .avi, .mkv, .asf
	H.263	1080Px2@30fps 1080P@60fps	40Mbps	.mp4, .mov, .3gpp, .3gp, .av, .mkv
	H.264	3840x2160@30fps 1080P@60fps	135Mbps	.flv, .mp4, .mov, .3gpp, .3gp, .ts, .trp, .tp, .asf, .wmv, .avi, .mkv
	Motion JPEG	720P@30fps 1080P@30fps	10Mbps	.avi, .3gpp, .3gp, .mp4, .mov, .mkv, .asf
	VP8		20Mbps	.mkv, .webm
	HEVC	4K2K@60fps	100Mbps	.mp4, .mov, .mkv, .ts, .trp, .tp
	VP9	4K2K@30fps	100Mbps	.mkv, .webm
Media	Codec	Sample rate	Data Rate	File Ext.
Audio	MPEG1/2 Layer1, 2, 3	16KHz ~ 48KHz	32Kbps ~ 320Kbps	.mp3, .avi, .as, .divx, .mkv, .ts, .trp, .tp, .DAT, .VOB, .MPG, .MPEG, .wav
	AC3	32KHz, 44.1KHz, 48KHz	32Kbps ~ 640Kbps	.ac3, .avi, .mkv, .divx, .3gpp, .3gp, .mp4, .mov, m4a, .ts, .trp, .tp, .DAT, .VOB, .MPG, .MPEG, .rm, .rmvb
	EAC3	32KHz, 44.1KHz, 48KHz	32Kbps ~ 6Mbps	.ec3, .3gpp, .3gp, .mp4, .mov, m4a, .ts, .trp, .tp, .DAT, .VOB, .MPG, .MPEG
	AAC, HEAAC	8KHz ~ 48KHz	128bps ~ 320Kbps	.aac, .avi, .mkv, .divx, .3gpp, .3gp, .mp4, .mov, m4a, .ts, .trp, .tp, .DAT, .VOB, .MPG, .MPEG, .flv, .rm, .rmvb
	VORBIS	Up to 48KHz		.mkv, .webm, .3gpp, .3gp, .mp4, .mov, m4a, .ogg
Media	File	Resolution		File Ext.
Photo	JPEG	15360x8640, (1920x8 x 1080x8)	Base-line	.jpg/.jpeg
		1024x768	Progressive	
	PNG	9600x6400	Non-interlace	.png
		1200x800	Interlace	
	BMP	9600x6400		.bmp
	MPO	15360x8640, (1920x8 x 1080x8)	Base-line	.mpo
1024x768		Progressive		



SHA/MAN/0386



UMC Poland Sp. z o.o.

Ostaszewo 57B, 87-148 Łysomice,  
Poland

Assembled in Poland

[www.sharpconsumer.eu](http://www.sharpconsumer.eu)

**SHARP**